

Distributed by:

**JAMECO**<sup>®</sup>  
ELECTRONICS

**www.Jameco.com ♦ 1-800-831-4242**

The content and copyrights of the attached  
material are the property of its owner.

Jameco Part Number 1945241

## SERIES 163



### Single Pole Lighted and Non-Lighted Rockers

This compact traditionally styled switch is ideal for applications where reliable performance is needed for switching loads up to 16 amps. The lighted version is well suited where additional status indication is needed.

### KEY FEATURES:

- SPST and SPDT circuitry
- Snap-in panel mounting
- Neon lighted or non-lighted versions available
- .250 slip-on terminals
- UL recognized and CSA certified
- Some circuits VDE approved

### APPLICATIONS

- Test equipment
- Medical controls
- Office equipment

### ORDERING INFORMATION:

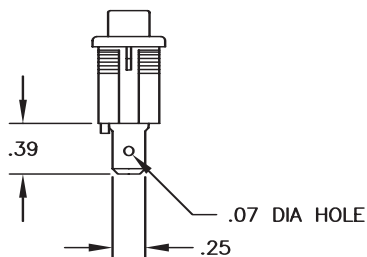
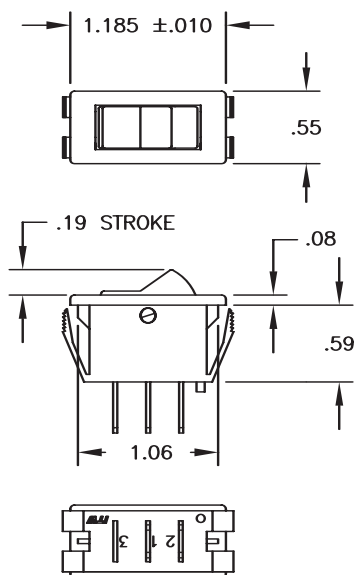
Part Number	Circuit	Lighting	Rocker Color
163-029-006	SPST	125V Neon	Red
163-099-009	SPST	—	Black
163-099-029	SPDT	—	Black

### STANDARDS / AGENCY / RATINGS:



## SERIES 163—SINGLE POLE LIGHTED AND NON-LIGHTED ROCKERS

### LIGHTED ROCKER



### MECHANICAL / ELECTRICAL CHARACTERISTICS:

#### Rating:

16 amps

#### Terminals:

slip on

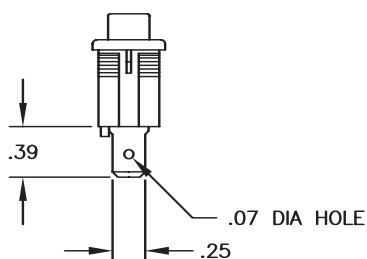
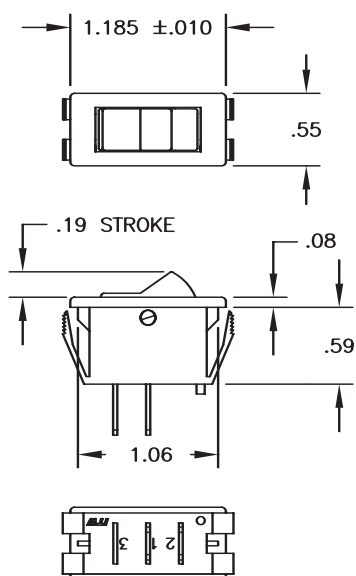
#### Case color:

black

#### Electrical Ratings:

Circuitry	Current	HP	Voltage
SPST	16 Amps	3/4	125 VAC
SPDT	12 Amps	3/4	250 VAC
	16 Amps	—	28 VDC

### NON-LIGHTED ROCKER



### MOUNTING:

Snaps into panels from: .015" (.4 mm) to .125" (3.2 mm) thick.

Recommended cutout: .48" (12.2 mm) x 1.08" (27.4 mm).

It is recommended the switch cut out be punched from front of panel.

# **ITW** Switches

2550 Millbrook Drive  
Buffalo Grove, IL 60089

800.544.3354

847.876.9400

847.876.9440 (Fax)

[www.itwswitches.com](http://www.itwswitches.com)

[customer\\_service@itwswitches.com](mailto:customer_service@itwswitches.com)