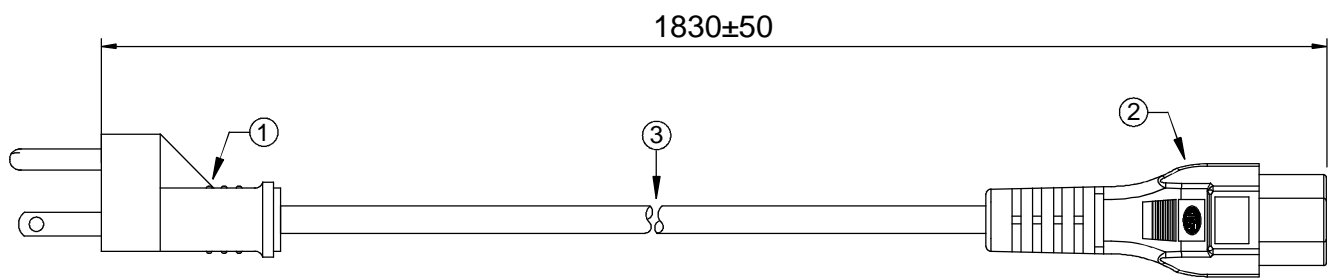


CUSTOMER: P/N: **1110.072** REV. APPROVED BY:

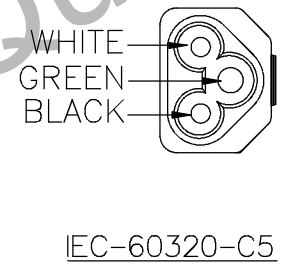
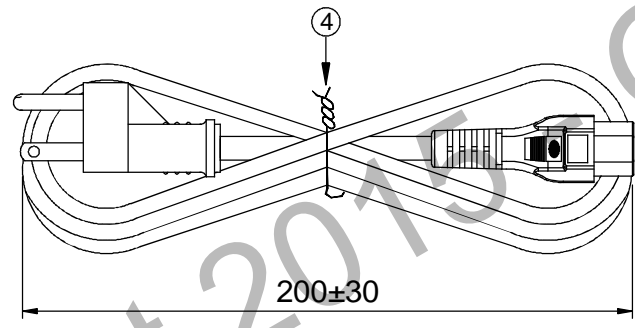
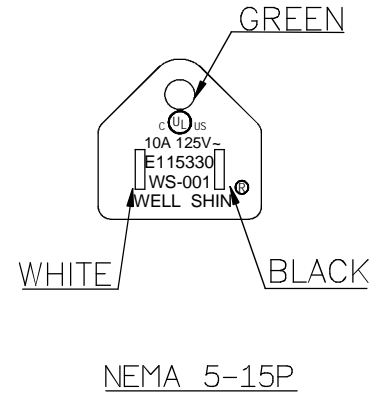
REVISIONS		
REV.	DESCRIPTION	DATE
△		2012/08/23
△	UPDATE PRINT HEAD	2015/11/23
△		
△		



NOTES:
 1. CHANGHUA START OF PRODUCTION ISSUED BY "A VERSION OF"
 2. RoHS

MARKING:

WELL SHIN®
 WS-083
 E115330
 10A 125V~



ITEM	DESCRIPTION	COLOR	QTY	DRAWN BY:	CHECKED BY:	MANAGER BY:	ENGINEER BY:	SIGNATURE
④	Cable tie	BLACK	1					
③	SVT 18AWG 3C 105°C	BLACK	1					
②	WS-083 10(A) 125(V)	BLACK	1					
①	WS-001 10(A) 125(V)	BLACK	1					

QUAIL ELECTRONICS, INC.
<http://www.quail.com>

PRODUCT NO.: 001+083 DATE: 2015/11/23
 UNIT: mm SHEET: 1 OF 1 REV. B

DWG NO: 0096-2189