

规格承认书

SPECIFICATION FOR APPROVAL

CUSTOMER NAME:

客户名称：

A096

DESCRIPTION :

品名：

AC ADAPTOR

MODEL NO. :

规格型号：

GPU410900500WDOO

DESIGNED NO.

工程编号：

GQ-ADT41165-0263

I/P: 120VAC 60Hz

O/P: 9VDC 500mA

CUSTOMER PART NO.

贵公司料号：

REVISION.

版次：

A0

APPROVED BY(PLEASE SIGN)

客户承认签章

APPROVED BY(PLEASE SIGN)			
客户承认签章			

DRAWER/制定	CHECKED/审核	APPROVED/核准
黄少荣		

ENGINEERING CHANGE REQUEST

ORIGINAL/修改前

REVISION/修改后

--	--

REV	DATE	DESCRIPTION	REVISION OF CAUSES/修改原因:

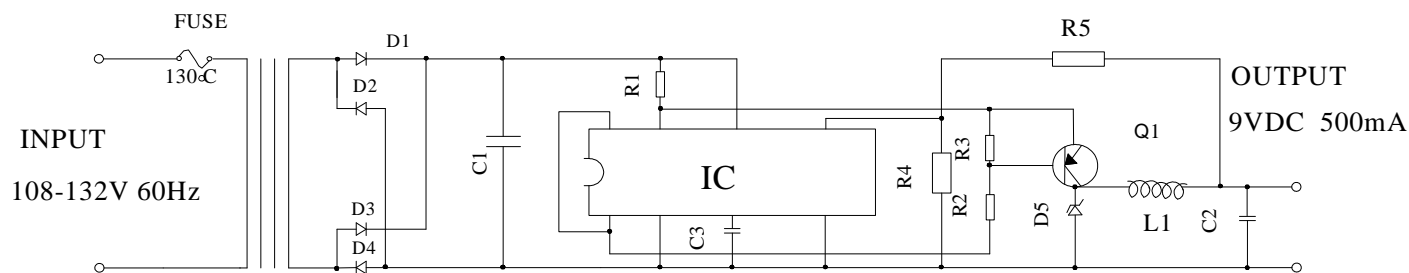
DRAWER/制定	CHECKED/审核	APPROVED/核准	CUSTOMER/客户	
黄少荣			MODEL NO/型号	GPU410900500WDOO
			REV/版本	A0
			DATE/日期	2013-08-02
			PAGES/页码	1/9

1.ELECTRICAL PERFORMANCE/电气特性:

1-1.Primary rated voltage and frequency: 120VAC 60Hz.

初级额定电压及频率: 120VAC 60Hz.

1-2.ELECTRICAL CHARACTERISTICS/电气原理图:



1-3.Secondary rated voltage and current/次级额定电压及电流:

TEST POINT /测试点	FULL LOAD RATED VOLTAGE /负载额定电压	RATED CURRENT /额定电流	VOLTAGE REGULATION /电压调整率	NO LOAD VOLTAGE /空载电压
5~6	9VDC±5%	500mA		9VDC±5%

1-4.Primary exciting current(Io): 70mA rms max,at input 120VAC 60Hz.

初级空载电流(Io): 有效值最大 70mA 输入 120VAC 60Hz.

Loading(IL): 170mA rms max.

初级负载电流(IL): 有效值 170mA 最大.

1-5.D.C.Resistance: Primary: ±15%,measured at25°C.

初级直流电阻: ±15%,环境温度 25°C.

1-6.Empty loss max: 3.3watts max,at input 120VAC 60Hz.

最大空损: 3.3watts,输入 120VAC 60Hz.

1-7.Temperature rise: 75°C max on primary coil by the resistance method,and 55°C max on the surface of the case by the thermometer method at 25°C ambient,rated load condition.

额定负载下电阻法线圈最大温升 75°C.热偶法外壳表面最大温升 55°C,环境温度 25°C.

1-8.Insulation resistance: 500VDC supplied,100M ohms minimum between winding & core.

绝缘电阻: 线圈与铁芯间加 500VDC,绝缘电阻不小于 100MΩ.

1-9.HI-pot test: 1500VAC 50Hz for 60Seconds (leakage current 1mA) primary to secondary&core Potential 20% higher may be applied for one second.

耐压强度测试: 初级-次级、初级-铁芯压 1500VAC 60Hz 60 秒钟 (漏电流 1 毫安) 无击穿、无拉弧. 或者提高 20%电压 1 秒.

500VAC 50Hz for 60Seconds (leakage current 1mA) secondary to core. Potential 20% higher may be applied for one second.

次级-铁芯 500VAC 50Hz 60 秒钟 (漏电流 1 毫安) 无击穿、无拉弧. 或者提高 20%电压 1 秒.

DRAWER/制定	CHECKED/审核	APPROVED/核准	CUSTOMER/客户	
黄少荣			MODEL NO/型号	GPU410900500WDOO
			REV/版本	A0
			DATE/日期	2013-08-02
			PAGES/页码	2/9

1-10. Induce voltage: All secondary opened, primary should withstand 240 V 360 Hz for 60 second without breakdown.

倍频倍压测试: 所有次级开路, 初级需承受电压 240 V 360 Hz 60 秒 而无击穿。

1-11. Life test: In an ambient temperature of 25°C, 90-95% R.H., applying a power source of 120VAC 60 Hz to primary, with full load 500 mA for 24 hours continuously, unit output normally and meet the requirements of item 1-8、1-9.

老化测试: 环境温度 25°C, 相对湿度 90-95%, 输入电压 120VAC 60 Hz 时, 带额定负载 500mA 连续工作 24 小时, 产品输出正常且满足 1-8、1-9 项特性要求。

1-12. Humidity test: In an ambient temperature of 25±2°C and 90-95% R.H. for 48 hours after 10 minutes out of the oven, the unit should meet item 1-9 requirements, and insulation Resistance shall be 10M ohms minimum.

耐湿测试: 在环境温度 25±2°C, 相对湿度 90-95% 条件下放置 48 小时, 取出 10 分钟后, 产品需满足第 1-9 项要求, 且绝缘电阻不小于 10MΩ

2. MECHANICAL CHARACTERISTICS/机械特性:

2-1. Drop test: Dropped freely from 3 feet height onto a concrete floor covered with 1/8 inch vinyl tile 3 times from 3 different surface, the unit should meet the item 1-9

落地测试: 从 3 英尺高自由落下到表面铺有 1/8 英寸厚聚乙稀垫的水泥地板上, 三个不同面各一次, 产品需符合 1-9 项特性要求。

2-2. Strain relief test: At normal position, 20 lbs to output cord for 60 secods each, there shall be no breakage displacement.

S/R 吊重试验: 在正常位置, 输出线需吊重 20 英磅, 持续 60 秒钟不可断裂. S/R 不可有移位现象。

2-3. Bending test: The plug and S/R should withstand weight of 200 gram, swinging from left to right at an angle of 120 degree for 1000 cycles, and 15-20cycles per minute. The cord shall be conductible.

摇摆测试: 输出线吊重 200 克, 摆动角度 120 度, 每分钟 15-20 来回, 1000 个来回后仍需导通。

3. SAFETY STANDARD/安规标准:

◆ Meet/符合

◇ Approved/认可

◆ UL/CUL

◇ CSA

◇ TUV/CE

◇ BSI/CE

◇ T-MARK

◇ CQC

◇ CCC

4. INSULATION SYSTEM/绝缘系统:

◇ CLASS A (105°C)

◇ CLASS E (120°C)

◆ CLASS B (130°C)

◇ CLASS F (155°C)

DRAWER/制定	CHECKED/审核	APPROVED/核准	CUSTOMER/客户	
黄少荣			MODEL NO/型号	GPU410900500WDOO
			REV/版本	A0
			DATE/日期	2013-08-02
			PAGES/页码	3/9

5. MECHANICAL REQUIRMENTS/外观要求:

5-1. Appearance: Damage and rusting are not permitted.

外观: 无损伤无锈迹

6. ENVIROMENTAL CONDITION/外部条件:

6-1. Operating temperature range: -10°C---+40°C

正常工作温度: -10°C---+40°C

6-2. Storage temperature range: -20°C---+80°C

存贮温度: -20°C---+80°C

6-3. Operation humidity range: 30---85% R.H

正常工作湿度: 30---85% R.H

7. INSPECTION ON LINE/线上检测:

7-1. The test items for each produce/全检项目

- ◆ Primary exciting current/初级激磁电流
- ◆ Core loss/铁芯损耗
- ◆ Output voltage/输出电压
- ◆ Input current and power at rated load/输入电流及功率
- ◆ Foreign mass by shock/敲击听异物
- ◆ Polarity of output plug/输出极性
- ◆ Hi-pot test/耐压测试
- ◆ Apperance/外观检查

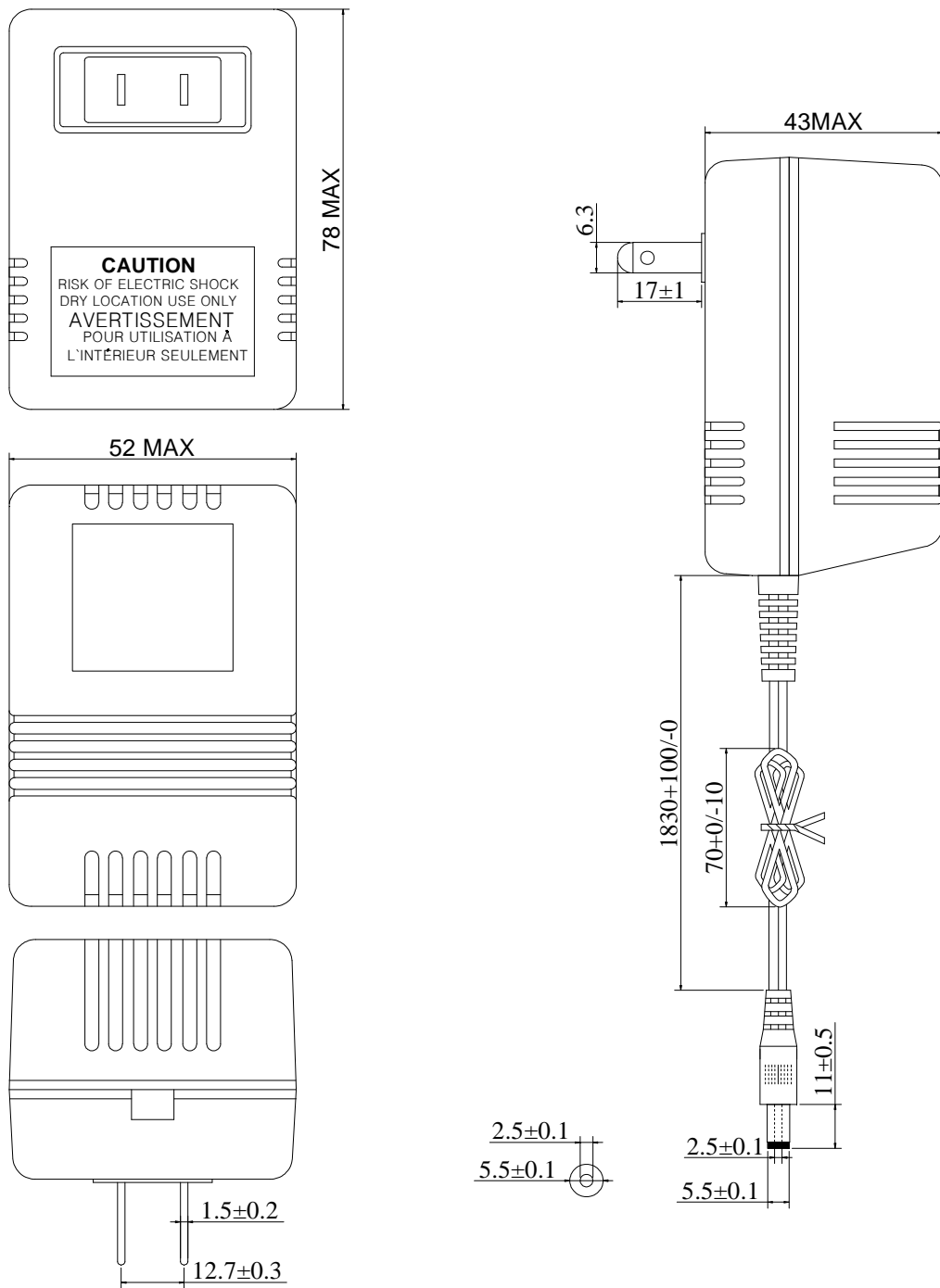
7-2. The test item for part of products/抽测项目:

- ◆ Hum operating at rated load/额定负载时哼声
- ◆ D.C.Resistance/直流电阻
- ◆ Insulation test/绝缘测试

8. NET WEIGHT/单体净重 285g

DRAWER/制定	CHECKED/审核	APPROVED/核准	CUSTOMER/客户	
黄少荣			MODEL NO/型号	GPU410900500WDOO
			REV/版本	A0
			DATE/日期	2013-08-02
			PAGES/页码	4/9

9.APPEARANCE DIMENSION/外观尺寸图：(UNIT/单位：mm)



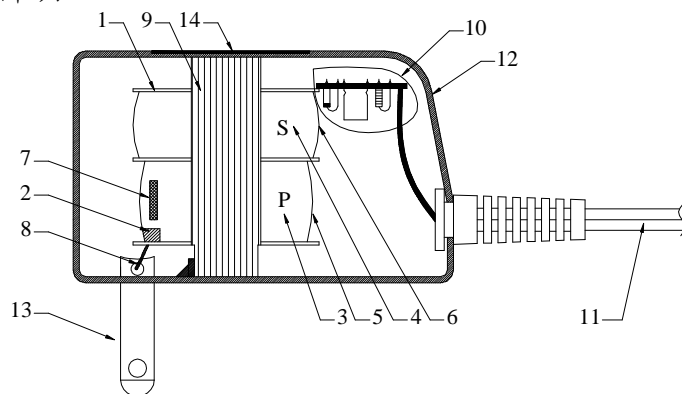
OUTPUT CORD/输出线： 2468# 24AWG 线长 1.83m

PLUG/DC 插头： 5.5±0.1mm*2.5±0.1 mm *11±0.5mm 直头

中心为：“+”极

DRAWER/制定	CHECKED/审核	APPROVED/核准	CUSTOMER/客户	
黄少荣			MODEL NO/型号	GPU410900500WDOO
			REV/版本	A0
			DATE/日期	2013-08-02
			PAGES/页码	5/9

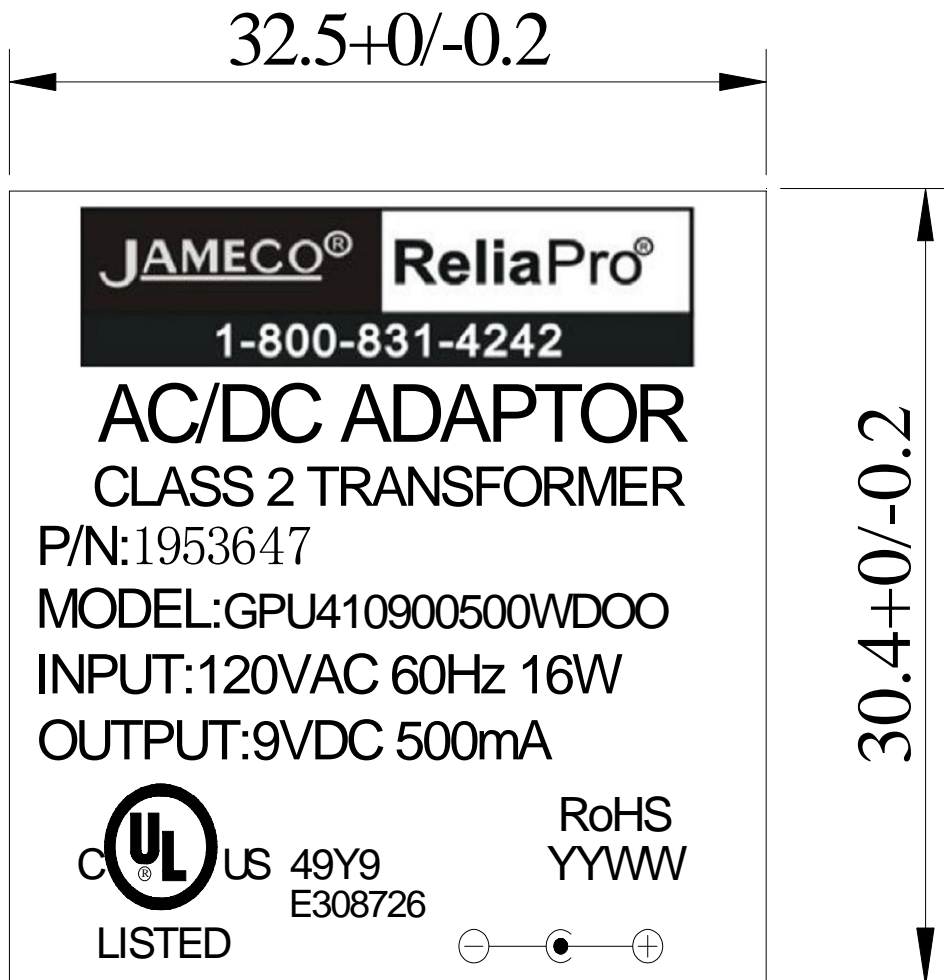
10.MATERIAL LIST /材料明细:



ITEM 序号	PARTS NAME 材料名称	MATERIAL&SPEC 材质	MANUFATURER 供应商		
1.	BOBBIN/线架	PA66 THICK0.71mm MIN	E I DUPONT DE NEMOURS&CO INC.E41938		
2.	PRIMARY.CROSSOVER INSULATION 初级直立绝缘	ACETATE CLOTH TAPE CLASS B/醋酸布	DUCK SUNG TAPE CO.,LTD(E105147)		
3.	PRI.WINDING 初级线圈	2UEW MAGNET WIRE CLASS B 2UEW 漆包线	PACIFIC ELECTRIC WIRE & CABLE CO., LTDE201757 JUNG SHING WIRE CO., LTD.E174837 FENG CHING METAL CORP E172395		
4.	SEC.WINDING 次级线圈	2UEW MAGNET WIRE CLASS B 2UEW 漆包线			
5.	PRI.OUTER INSULATION 初级绝缘	MYLAR TAPE 0.025mm 玛拉胶带 0.025mm CLASS B	JINGJIANG YAHUA PRESSURE SENSITIVE GLUE CO LTD E165111 JING JIANG JINGYI ADHESIVE PRODUCT CO.,LTD.E246950 SUZHOU MAILADUONA ELECTRIC MATERIAL CO.,LTD.E188295		
6.	SEC.OUTER INSULATION 次级绝缘	MYLAR TAPE 0.025mm 玛拉胶带 0.025mm CLASS B			
7.	PROTECTION 保护器	THERMAL CUTOFF 温度保险 130℃ 250V	DONGGUAN WANCHENG FUSE CO LTD E232772		
8.	LEAD WIRE 引线	UL1015# AWG22	DONGGUAN CHUANNAI WIRE MATERIAL CO.,LTD E241404 SHENZHEN DONG JU WIRE & CABLE CO.,LTD E189674 DONGGUAN CHANGAN HUAWEI WIRE CO LTD E320244		
9.	CORE 铁芯	E-I LAMINATED SILICON STEEL E-I 硅钢片	BEST LEGEND HUI DINGS LTD		
10.	RECTIFIER BOARD 电路板	P.C.BOARD(94-V0) CLASS B /阻燃等级 94-V0 1.60mm THICK	KINGBOARD LAMINATES (MACAO COMMERCIAL OFFSHORE)LTD(E123995)		
	IC	MC34063	DE HUI ELECTRONIC CO.,LTD.		
	CAPACITOR 电容	ELECTROLYTI/电解电容 1000uF 25V 1000uF 10V	SHENZHEN SAMSON ELECTRONICS TECHNOLOGY CO.,LTD JWCO ELEETRONICS CO.,LTD		
	CERAMIC CAPACITOR 瓷片电容	102	DE HUI ELECTRONIC CO.,LTD.		
	DIODE 二极管	SILICON RECTIFIERS 硅二极管 IN4001 1N5819	DICK (SHENZHEN) ELECTRONICS CO. , LTD.		
	RESIST OR CHIP RESIST 电阻	R1/0.22Ω 1W R2/470Ω 1/4W R3/68Ω 1/4W R4/470Ω 1/4W R5/3KΩ 1/4W	DE HUI ELECTRONIC CO.,LTD. LONG JIAN DA ELECTRONIC		
	TRANSISTOR 三极管	B772Y	DE HUI ELECTRONIC CO.,LTD.		
DRAWER/制定		CHECKED/审核	APPROVED/核准	CUSTOMER/客户	
黄少荣				MODEL NO/型号	GPU410900500WDOO
				REV/版本	A0
				DATE/日期	2013-08-02
				PAGES/页码	6/9 (1)

12.NAMEPLATE DRAWING/铭牌图案:

Unit: mm
单位: (mm)



NOTE:

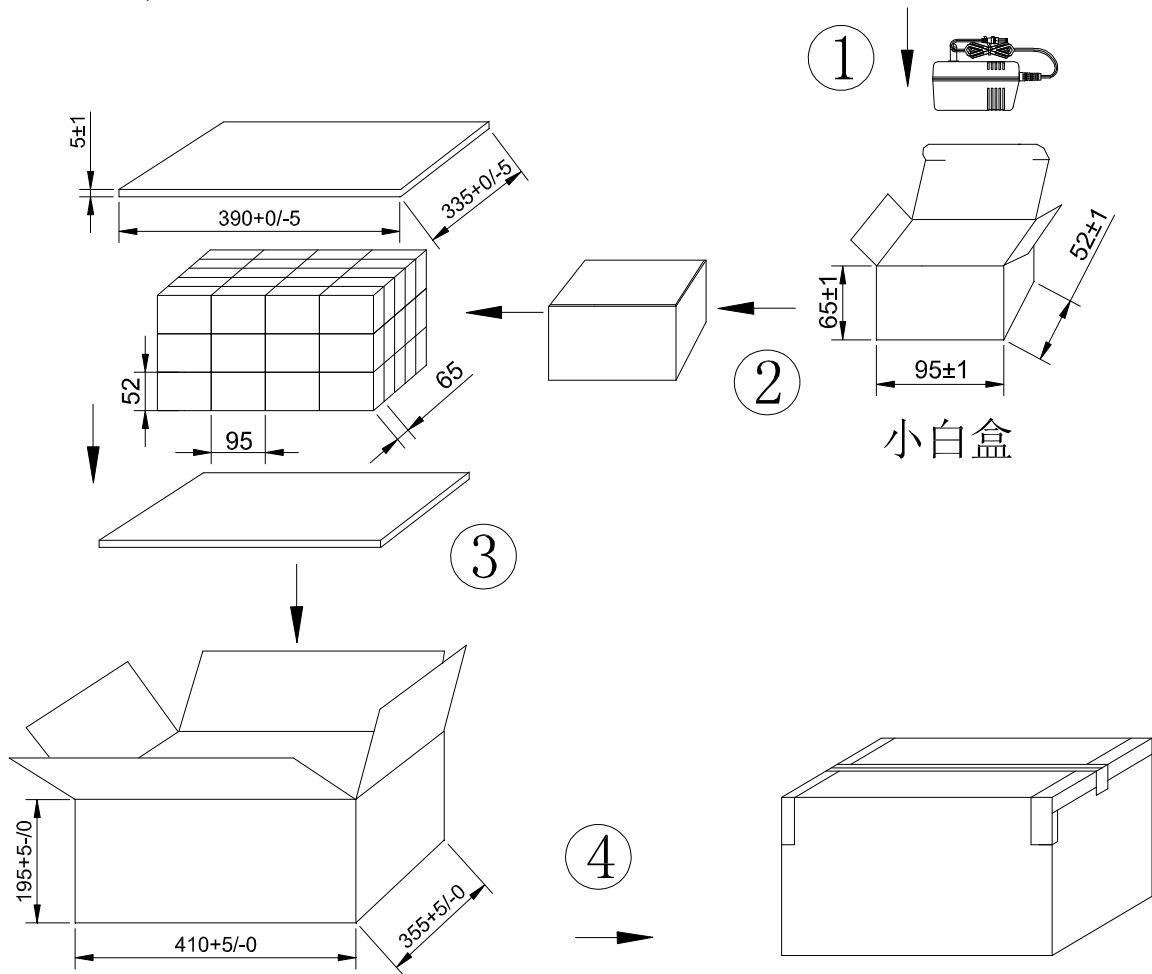
- 1、材质 PET 0.27mm THICK MIN
- 2、银底黑字
- 3、自粘型
- 4、“YYWW”表示生产周期，“YY”表示年份，“WW”表示月

DRAWER/制定	CHECKED/审核	APPROVED/核准	CUSTOMER/客户	
黄少荣			MODEL NO/型号	GPU410900500WDOO
			REV/版本	A0
			DATE/日期	2013-08-02
			PAGES/页码	8/9

11.SAMPLE TEST DATA/样品测试报告:

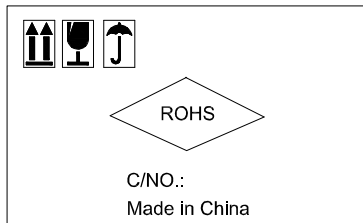
ITEM/项目	SPEC/范围	SAMPLE/样品编号				
		#1	#2	#3	#4	#5
PRIMARY EXCITING CURRENT 初级空载电流(I0) I/P: 120VAC 60Hz	70mA MAX	29				
PRIMARY FULL LOAD CURRENT 初级负载电流(IL) I/P: 120VAC60Hz	170mA MAX	118				
SECONDARY VOLTAGE 次级电压 NO LOAD/空载(VO)	9VDC±5%	9.02				
SECONDARY VOLTAGE 次级电压(VL) FULL LOAD/负载: DC 500mA	9VDC±5%	8.84				
Hi-pot test 耐压	PRI.TO SEC-CORE 初级-次级-铁芯	AC1500V/1mA/50Hz/60Seconds 交流 1500V/1mA/50Hz/60 秒	OK			
	SEC.TO CORE 次级-铁芯	AC 500V/1mA/50Hz/60 Seconds 交流 500V/1mA/50Hz/60 秒	OK			
DRAWER/制定	CHECKED/审核	APPROVED/核准	CUSTOMER/客户			
黄少荣			MODEL NO/型号	GPU410900500WDOO		
			REV/版本	A0		
			DATE/日期	2013-08-02		
			PAGES/页码	7/9		

13.PACKING/包装

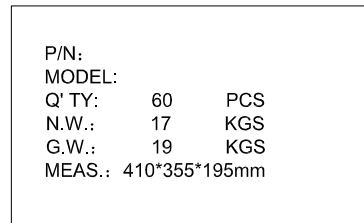


小白盒

正唛内容为:



侧唛内容为:



备注:

- 1、依照图面尺寸制作
- 2、材质: 外箱使用 A=B 纸; 隔板使用: C=C;
白盒材质: 350g
- 3、使用机种: EI-41。
- 4、长4个*宽5个*3层,总装=60PCS

DRAWER/制定	CHECKED/审核	APPROVED/核准	CUSTOMER/客户	
黄少荣			MODEL NO/型号	GPU410900500WDOO
			REV/版本	A0
			DATE/日期	2013-08-02
			PAGES/页码	9/9