

Distributed by:

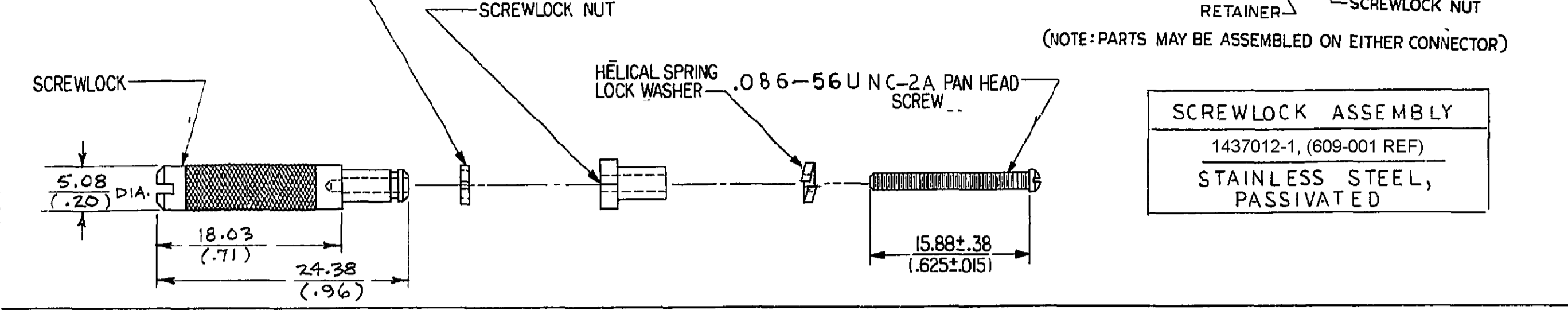
**JAMECO**<sup>®</sup>  
ELECTRONICS

**www.Jameco.com ♦ 1-800-831-4242**

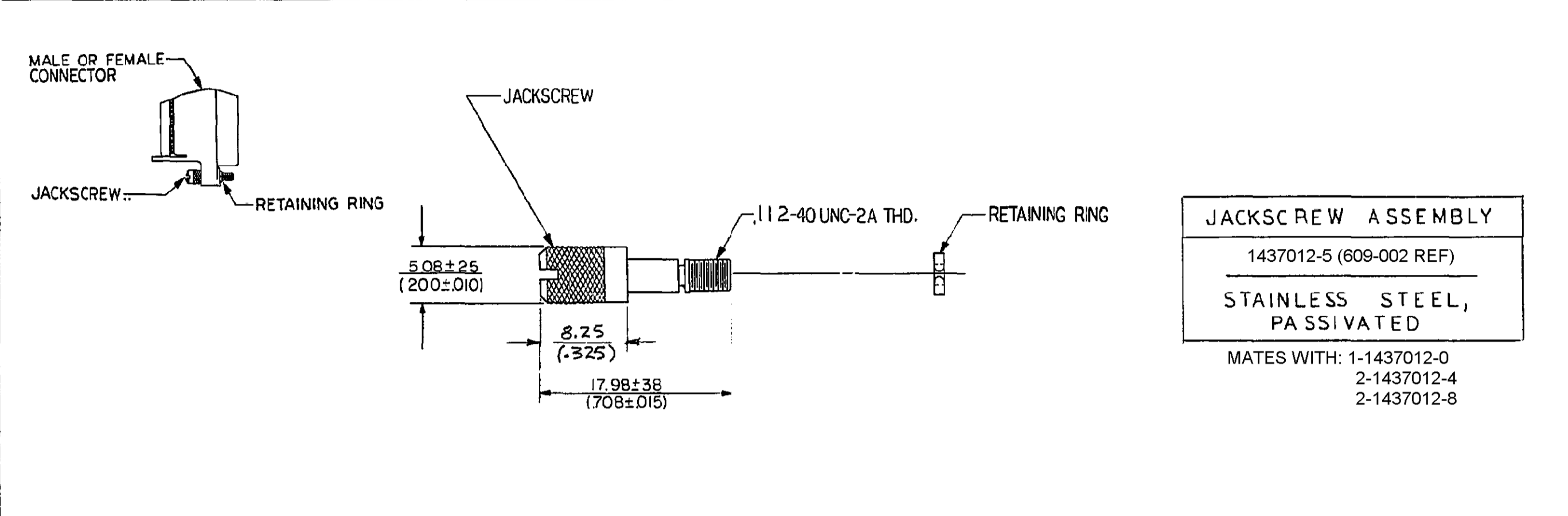
The content and copyrights of the attached  
material are the property of its owner.

Jameco Part Number 1961612

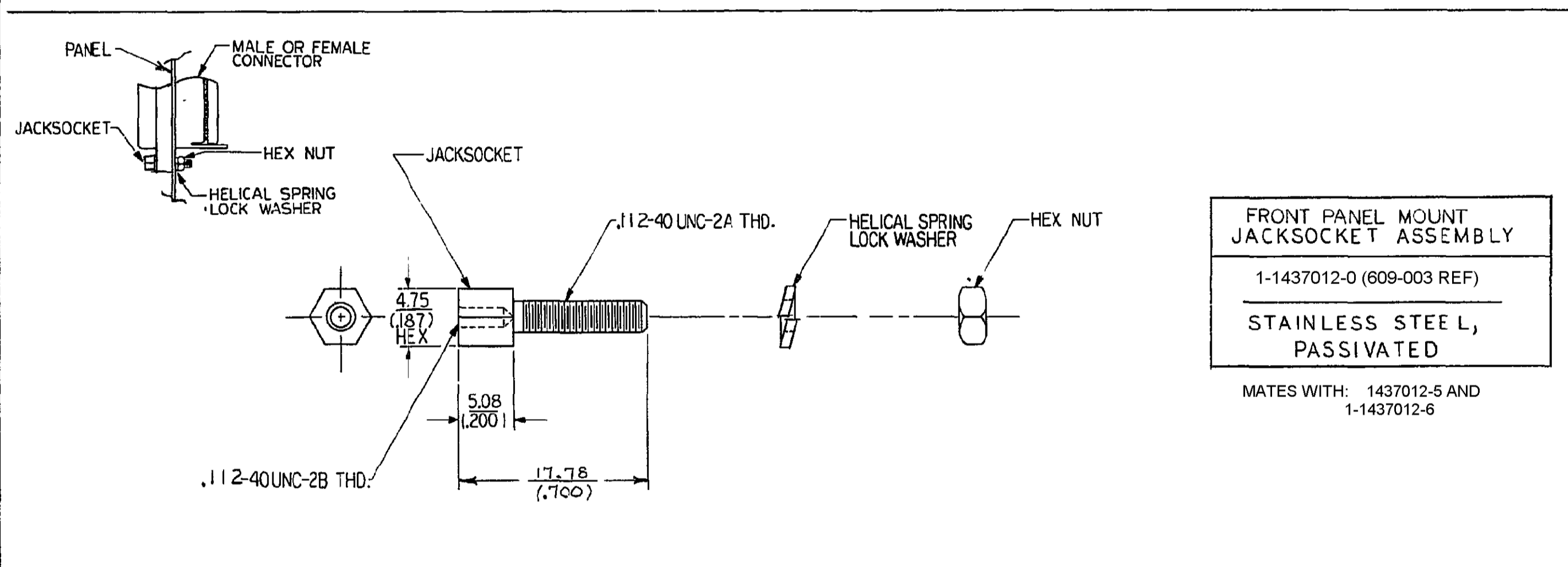
This document involves proprietary design rights of T & B/Analog Corporation, and all design, manufacturing, reproduction, use and sale rights regarding the same are expressly reserved. It is submitted for a specific purpose and the recipient, by accepting this document, assumes custody and control and agrees to take reasonable precautions to prevent this document from being copied and reproduced in whole or in part, nor its contents revealed in any manner or to any person except to meet the purpose for which it was delivered and (b) that any special features peculiar to this design will not be incorporated in other projects without the expressed permission of T & B/Analog Corporation.



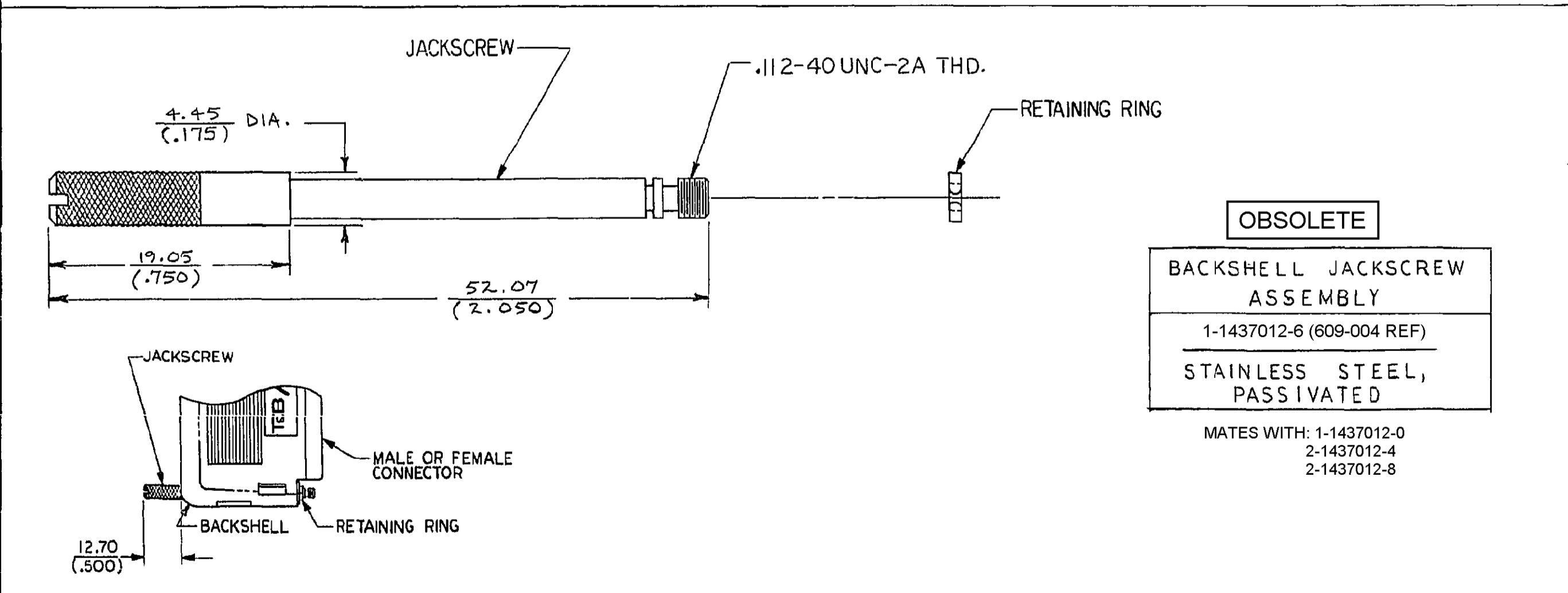
**SCREWLOCK ASSEMBLY**  
1437012-1, (609-001 REF)  
STAINLESS STEEL,  
PASSIVATED



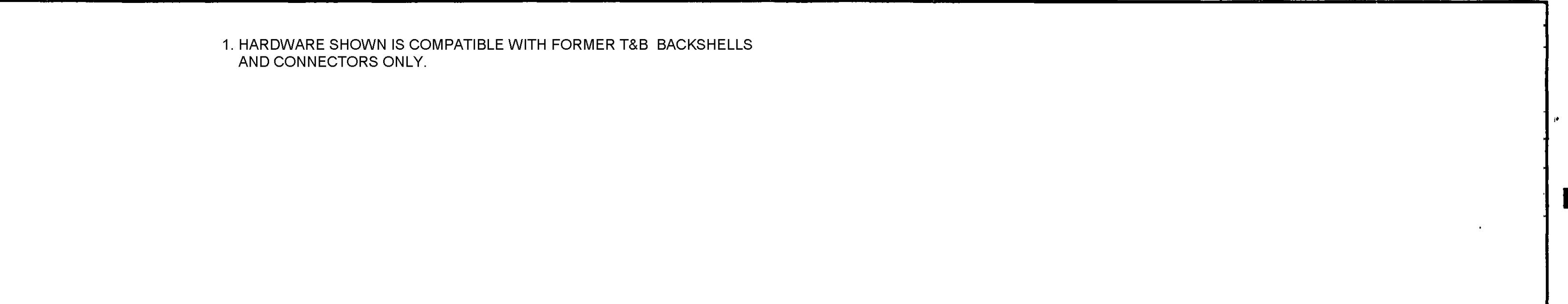
**JACKSCREW ASSEMBLY**  
1437012-5 (609-002 REF)  
STAINLESS STEEL,  
PASSIVATED  
MATES WITH: 1-1437012-0  
2-1437012-4  
2-1437012-8



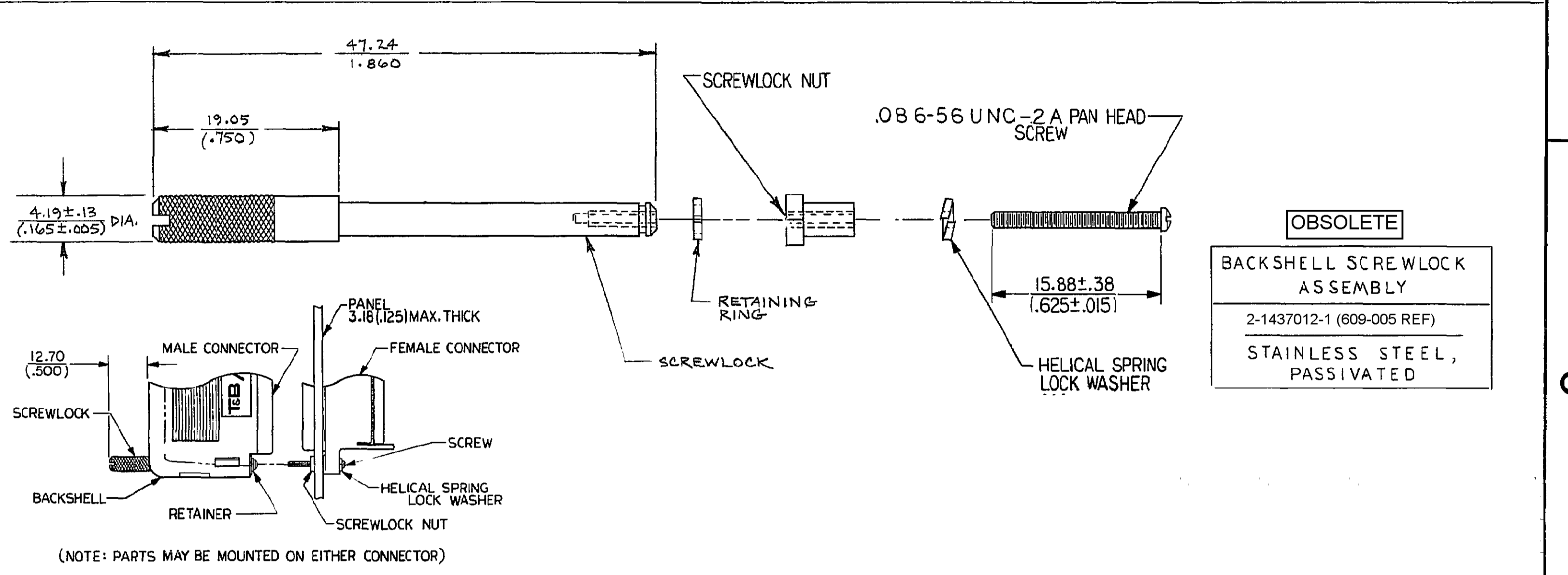
**FRONT PANEL MOUNT JACKSOCKET ASSEMBLY**  
1-1437012-0 (609-003 REF)  
STAINLESS STEEL,  
PASSIVATED  
MATES WITH: 1437012-5 AND  
1-1437012-6



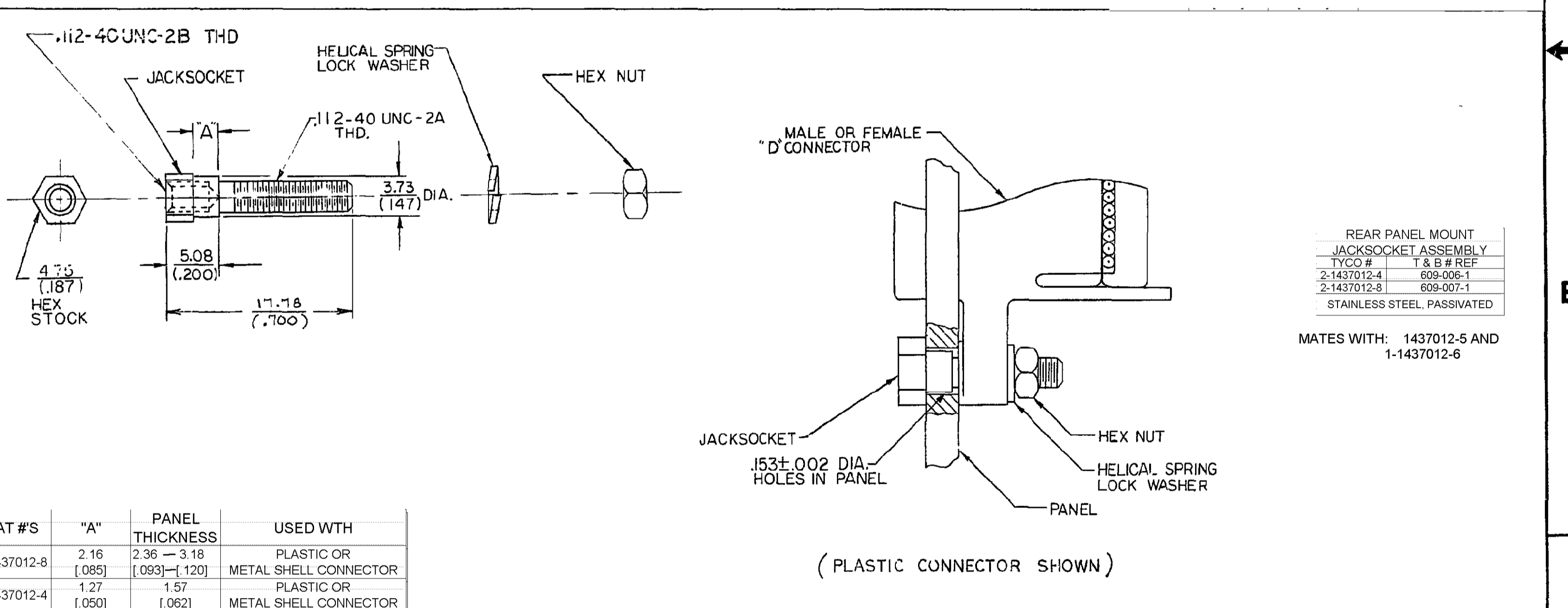
**OBSELETE**  
**BACKSHELL JACKSCREW ASSEMBLY**  
1-1437012-6 (609-004 REF)  
STAINLESS STEEL,  
PASSIVATED  
MATES WITH: 1-1437012-0  
2-1437012-4  
2-1437012-8



1. HARDWARE SHOWN IS COMPATIBLE WITH FORMER T&B BACKSHELLS AND CONNECTORS ONLY.



**OBSELETE**  
**BACKSHELL SCREWLOCK ASSEMBLY**  
2-1437012-1 (609-005 REF)  
STAINLESS STEEL,  
PASSIVATED



**REAR PANEL MOUNT JACKSOCKET ASSEMBLY**  
TYCO # T & B # REF  
2-1437012-4 609-006-1  
2-1437012-8 609-007-1  
STAINLESS STEEL, PASSIVATED  
MATES WITH: 1437012-5 AND  
1-1437012-6

CAT #S	"A"	PANEL THICKNESS	USED WITH
2-1437012-8	2.16 [.085]	2.36 - 3.18 [.093] - [1.20]	PLASTIC OR METAL SHELL CONNECTOR
2-1437012-4	1.27 [.050]	1.57 [.062]	PLASTIC OR METAL SHELL CONNECTOR

THIRD ANGLE PROJECTION	UNLESS OTHERWISE SPECIFIED, DIMENSIONS ARE IN M.M.(INCHES)
	FRACTIONS =
	ANGLES =
	DECIMALS =
	XX (.XXX) ±
	X (.XX) ±
NEXT ASSY	MATERIAL
USED ON	
APPLICATION	

FIND NO.	QTY REQD	CODE IDENT	PART NO.	DESCRIPTION	ZONE
LIST OF MATERIALS					
				TITLE	
				D CONNECTOR MOUNTING ACCESSORY HARDWARE	
				SIZE CODE IDENT NO. NUMBER	REV.
				D 15912	1437012-1
				SCALE N T S	SHEET OF

0 REVISION PER ECN 0513-0094-05 20-JUL-06 JDP CWR  
REV REVISION RECORD DATE DWN/APVD