

Distributed by:

JAMECO[®]
ELECTRONICS

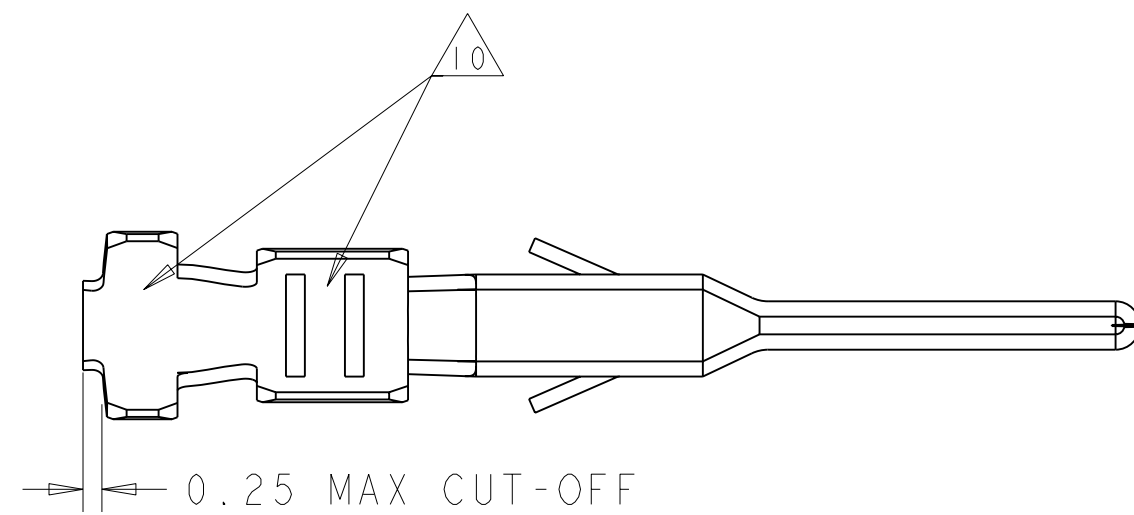
www.Jameco.com ♦ 1-800-831-4242

The content and copyrights of the attached
material are the property of its owner.

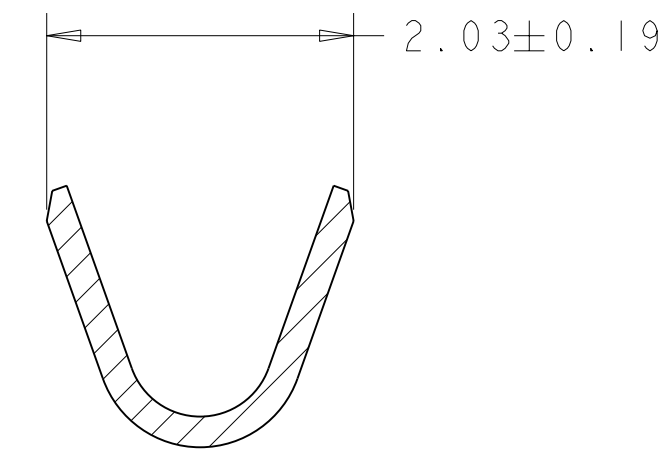
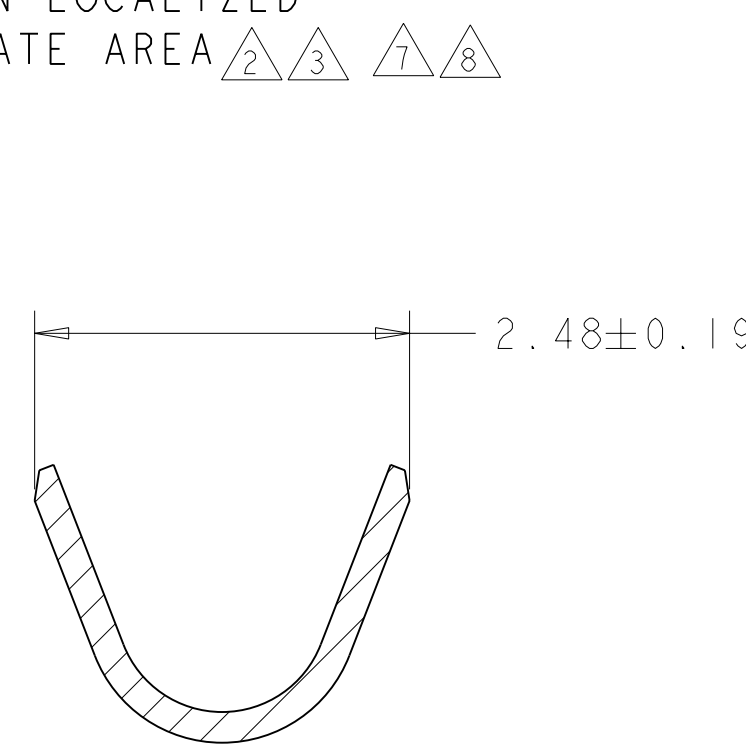
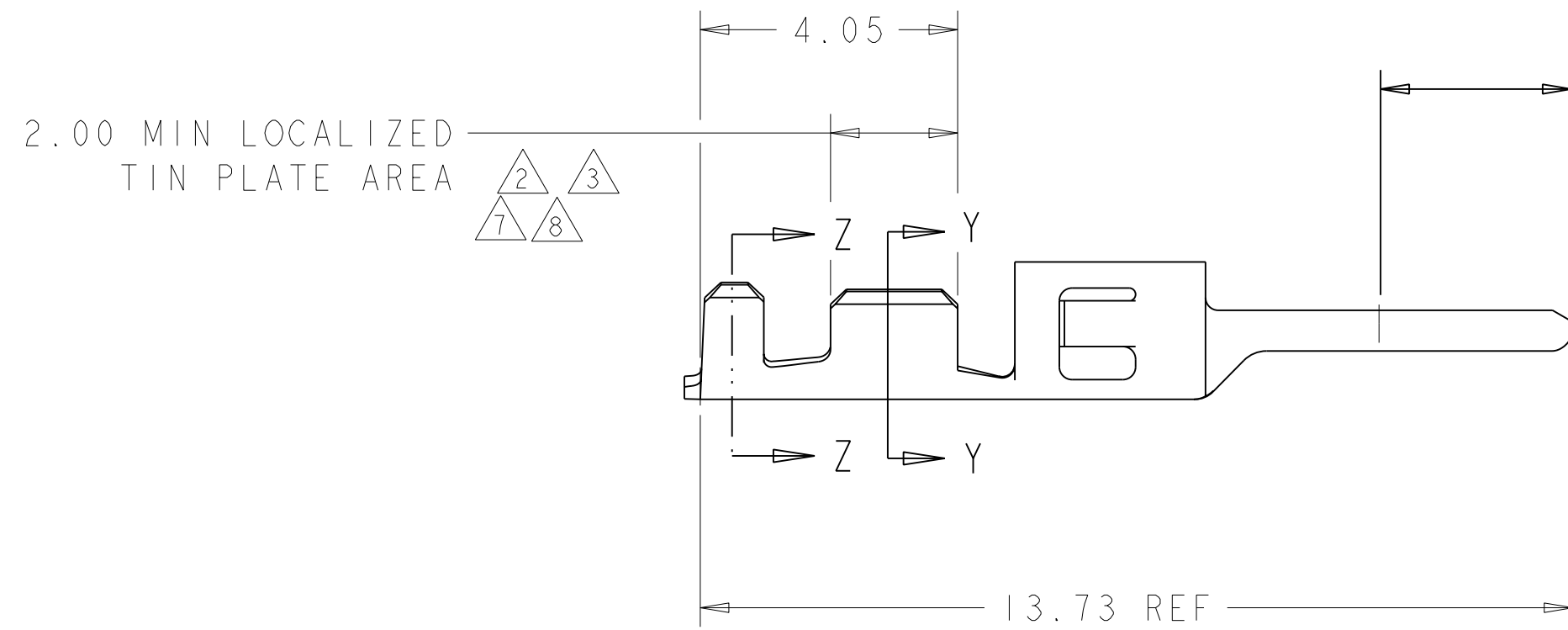
Jameco Part Number 1963271

THIS DRAWING IS UNPUBLISHED. RELEASED FOR PUBLICATION 20
 © COPYRIGHT 20 BY TYCO ELECTRONICS CORPORATION. ALL RIGHTS RESERVED.

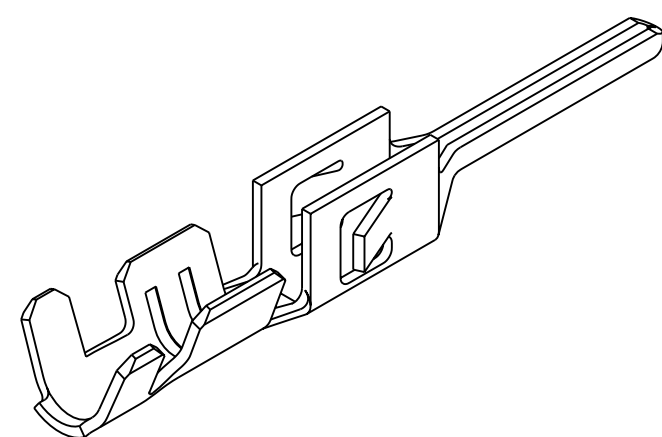
LOC	DIST	REVISIONS					
CM	00	P	LTR	DESCRIPTION	DATE	DWN	APVD
		A		REVISED PER 0G3B-0289-03	24-JUN-03	KW	CJ
		B		REVISED PER 0G3B-0519-03	24-JUN-03	KW	CJ
		C		REVISED PER 0G3B-1055-04	05JAN05	KW	CJ
		CI		REVISED PER ECO-05-015508	24FEB06	KW	CJ



- 1. 2.54 μ m MIN BRIGHT TIN/LEAD ENTIRE STOCK OVER 1.27 μ m MIN NICKEL ENTIRE STOCK.
- 2. 0.38 μ m MIN GOLD IN LOCALIZED GOLD PLATE AREA, 2.5 μ m MIN BRIGHT TIN/LEAD IN LOCALIZED TIN/LEAD PLATE AREA, BOTH OVER 1.27 μ m MIN NICKEL ON ENTIRE STOCK.
- 3. 0.76 μ m MIN GOLD IN LOCALIZED GOLD PLATE AREA, 2.5 μ m MIN BRIGHT TIN/LEAD IN LOCALIZED TIN/LEAD PLATE AREA, BOTH OVER 1.27 μ m MIN NICKEL ON ENTIRE STOCK.
- 4. WIRE RANGE 20-24 AWG.
- 5. INSULATION RANGE 0.89-1.52
- 6. 2.54 μ m MIN BRIGHT TIN ENTIRE STOCK OVER 1.27 μ m MIN NICKEL ENTIRE STOCK.
- 7. 0.38 μ m MIN GOLD IN LOCALIZED GOLD PLATE AREA, 2.5 μ m MIN BRIGHT TIN IN LOCALIZED TIN PLATE AREA, BOTH OVER 1.27 μ m MIN NICKEL ON ENTIRE STOCK.
- 8. 0.76 μ m MIN GOLD IN LOCALIZED GOLD PLATE AREA, 2.5 μ m MIN BRIGHT TIN IN LOCALIZED TIN PLATE AREA, BOTH OVER 1.27 μ m MIN NICKEL ON ENTIRE STOCK.
- 9. NOTE DELETED.
- 10. TIN PLATING THICKNESS INSIDE WIRE AND INSULATION BARRELS TO BE 1.27 μ m MIN.



8	1-794612-2
7	1-794612-1
6	1-794612-0
3	794612-3
2	794612-2
1	794612-1
FINISH	PART NUMBER



METRIC

<small>THIS DRAWING IS A CONTROLLED DOCUMENT FOR TYCO ELECTRONICS CORPORATION. IT IS SUBJECT TO CHANGE AND THE CONTROLLING ENGINEERING ORGANIZATION SHOULD BE CONTACTED FOR THE LATEST REVISION.</small>		DWN	29AUG2000	AMP Tyco Electronics Harrisburg, PA 17105-3608	
DIMENSIONS: mm		CHK	29AUG2000		
TOLERANCES UNLESS OTHERWISE SPECIFIED: 0 PLC ± 1 PLC ± 2 PLC ±0.13 3 PLC ± 4 PLC ± ANGLES ± FINISH -		APVD	29AUG2000		
MATERIAL 0.20 THK BRASS		PRODUCT SPEC	-		
		APPLICATION SPEC	-	NAME	PLUG CONTACT, CRIMP SNAP, 20-24 AWG LOOSE PIECE, MICRO MATE-N-LOK(TM)
		WEIGHT	-	SIZE	A2
		CUSTOMER DRAWING	-	CAGE CODE	00779
				DRAWING NO	C=794612
				RESTRICTED TO	-
				SCALE	10:1
				SHEET	1 OF 1
				REV	CI