

Distributed by:

JAMECO[®]
ELECTRONICS

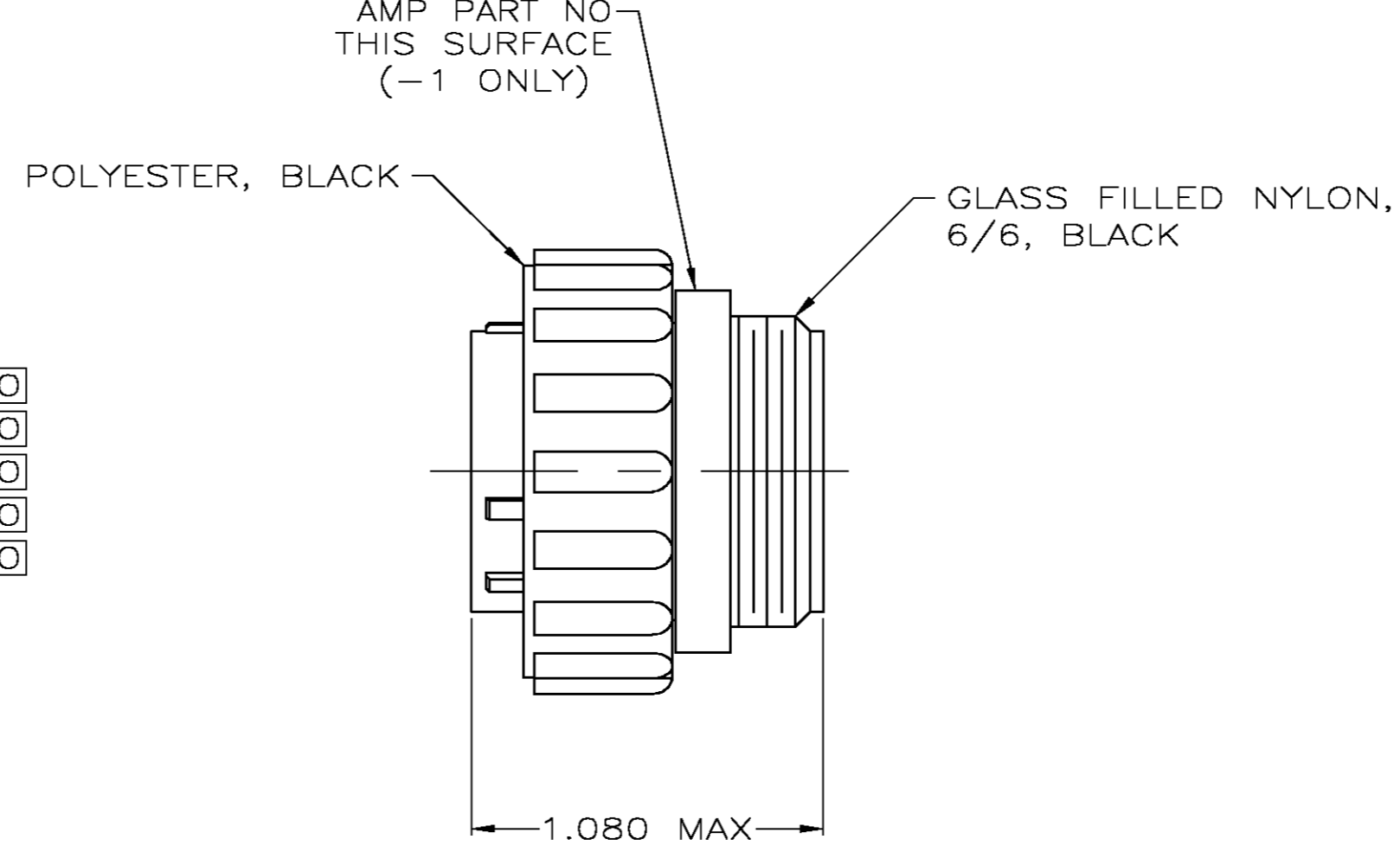
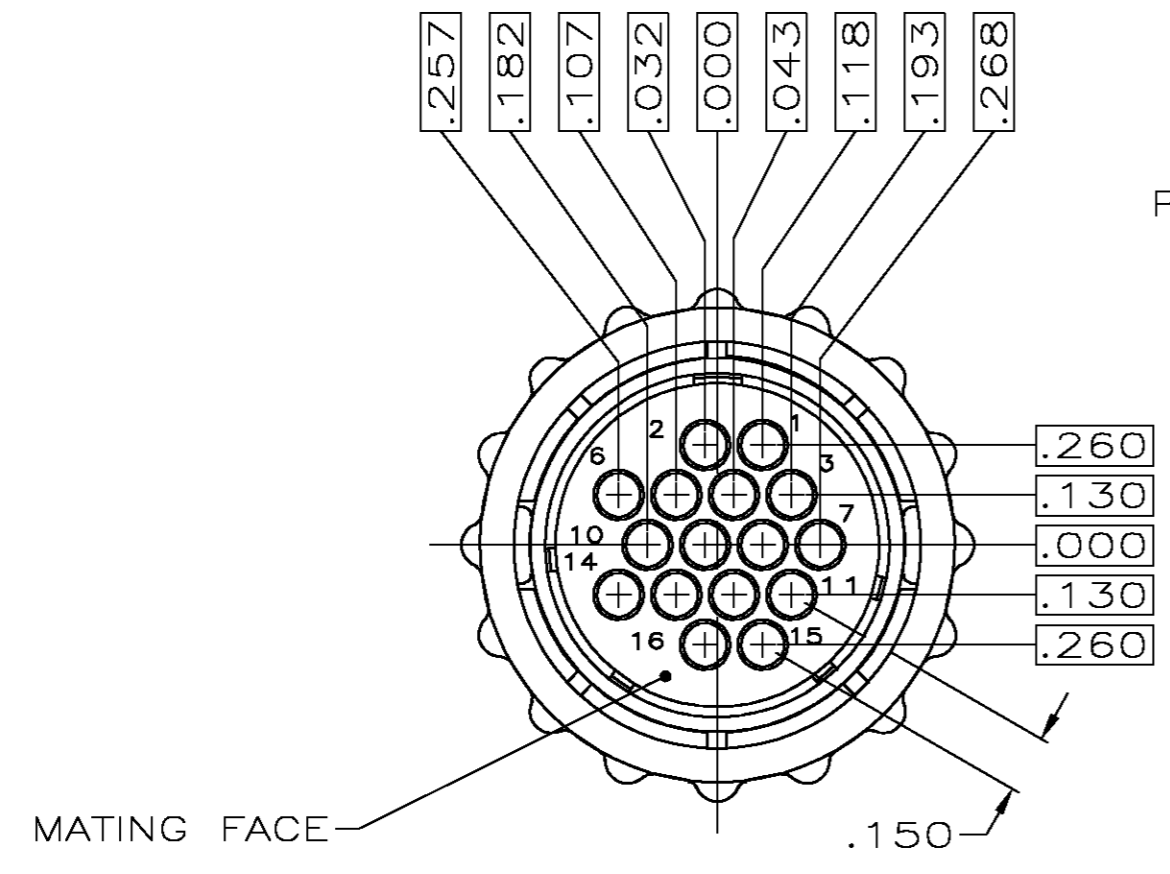
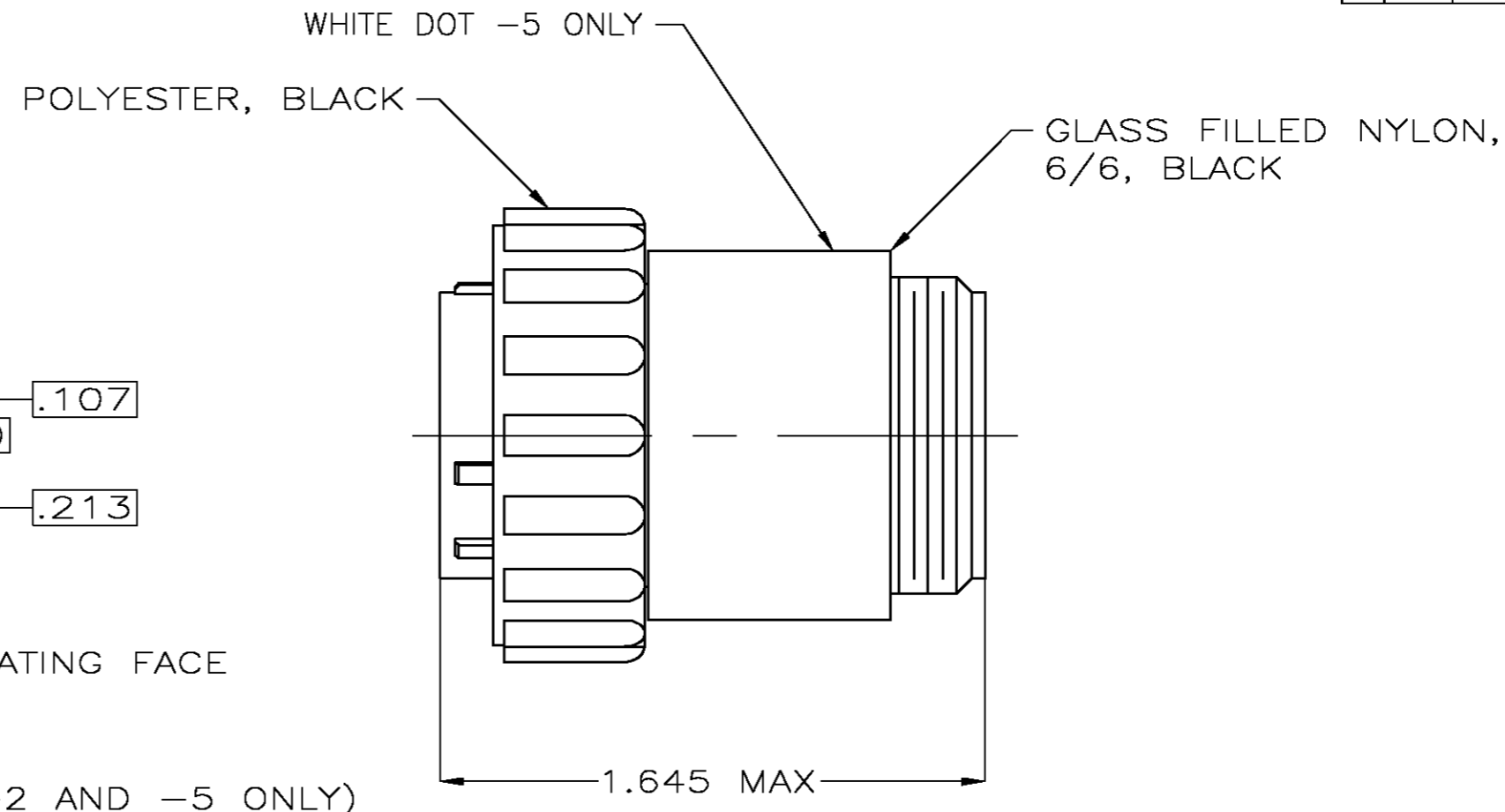
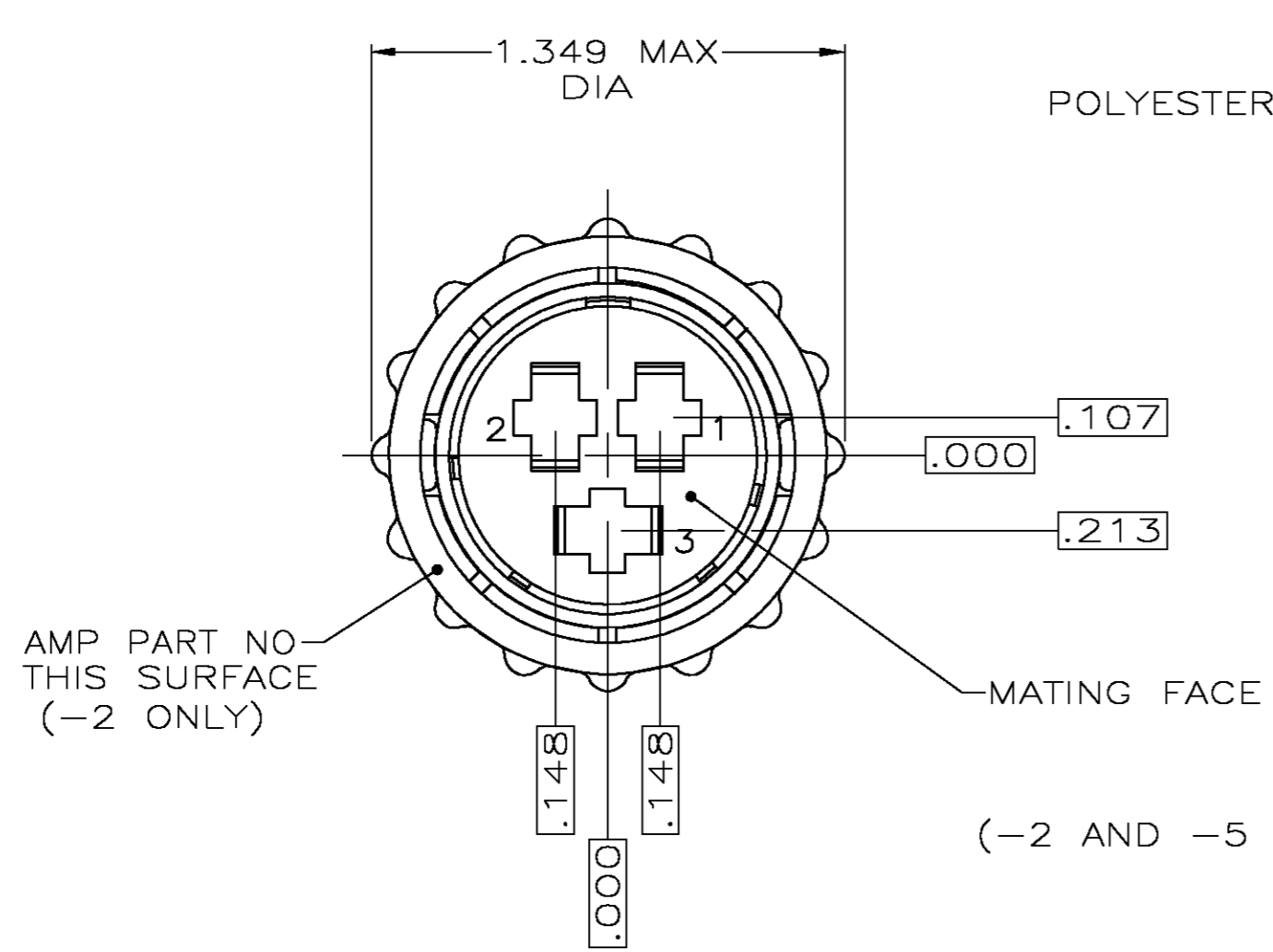
www.Jameco.com ♦ 1-800-831-4242

The content and copyrights of the attached
material are the property of its owner.

Jameco Part Number 1965007

THIS DRAWING IS UNPUBLISHED. RELEASED FOR PUBLICATION
 © COPYRIGHT BY TYCO ELECTRONICS CORPORATION. ALL RIGHTS RESERVED.

LOC		DIST		REVISIONS					
FT		0		P	LTR	DATE	DWN	APVD	
				K		REVISED PER 0G3B-0426-03	2/21/05	SS	SH



NOTES:

- CONTACT CAVITIES IDENTIFIED BY CHARACTERS ON FRONT AND REAR FACES OF CONNECTOR.
- PART NUMBER 206037-1, -3 AND -4 WILL ACCEPT (16) MULTIMATE SOCKET CONTACTS.
- PART NUMBER 206037-2 AND -5 WILL ACCEPT (3) TYPE XII SOCKET CONTACTS.
- PRELIMINARY PART NUMBER.

4	3	206037-5
2	2	206037-4
2	2	206037-3
3	3	206037-2
2	2	206037-1

PART NUMBER

THIS DRAWING IS A CONTROLLED DOCUMENT.		DWN	S.RIDGLEY	BG	8/3/90	Tyco Electronics Corporation Harrisburg, PA 17105	
DIMENSIONS: INCHES		CHK	R.STONE		04/26/91	PLUG ASSEMBLY, SHELL SIZE 17, STANDARD SEX, CPC	
		TOLERANCES UNLESS OTHERWISE SPECIFIED:		APVD		NAME	
		0 PLC ± -		-		SIZE	
		1 PLC ± -		PRODUCT SPEC		CAGE CODE	
		2 PLC ± -		APPLICATION SPEC		DRAWING NO	
		3 PLC ± .005		-		RESTRICTED TO	
		4 PLC ± -		WEIGHT		A2 00779	
MATERIAL		FINISH		-		SCALE 2:1	
SEE NOTES		-		CUSTOMER DRAWING		SHEET 1 OF 1	
						REV K	