

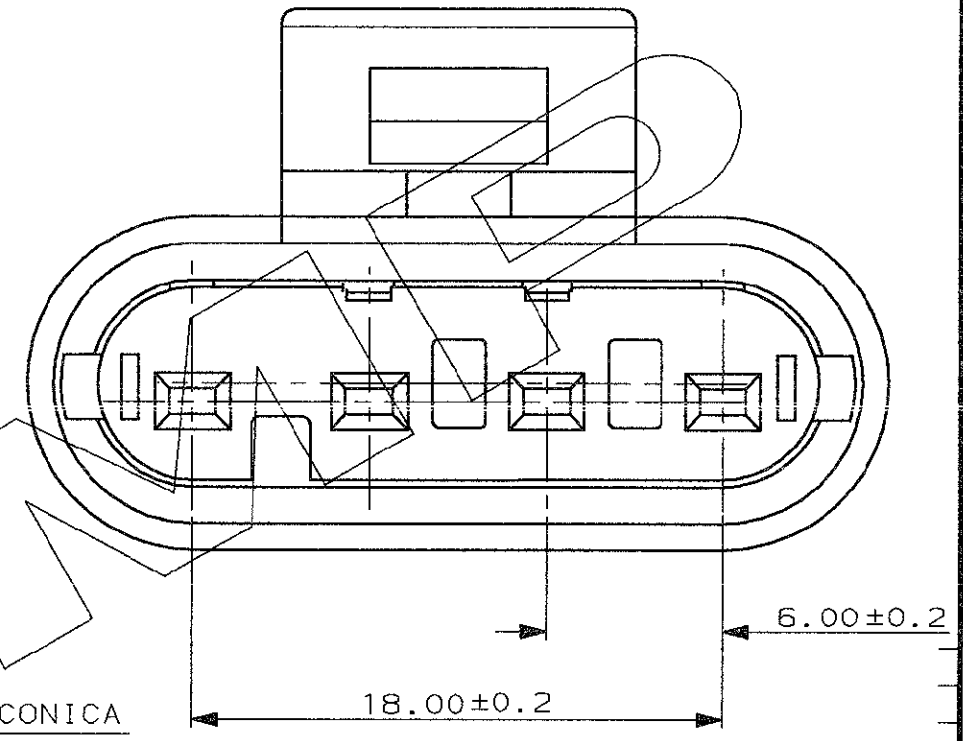
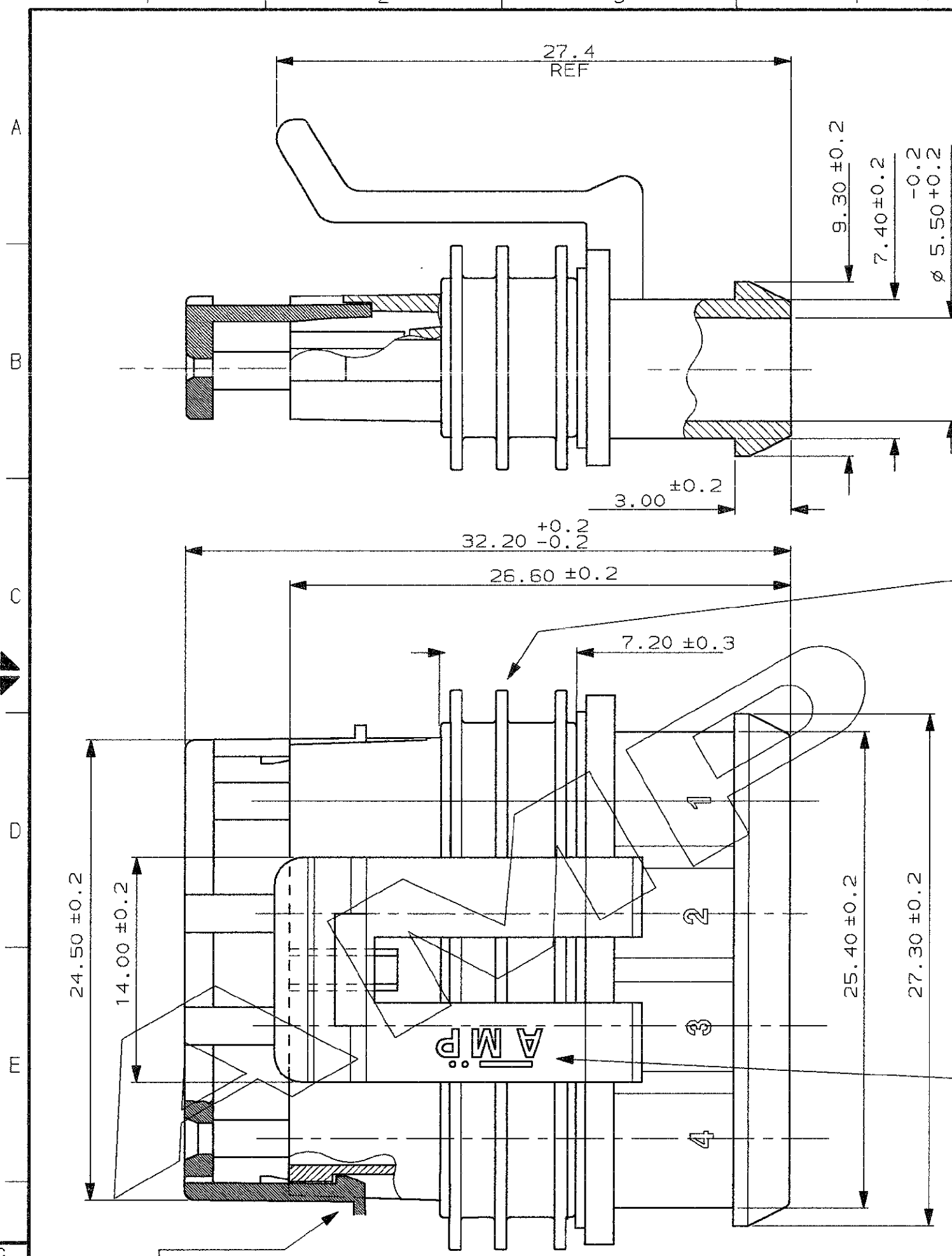
Distributed by:

**JAMECO**<sup>®</sup>  
ELECTRONICS

**www.Jameco.com ♦ 1-800-831-4242**

The content and copyrights of the attached  
material are the property of its owner.

Jameco Part Number 1966894



GUARNIZIONE GOMMA SILICONICA  
 (GASKET, SILICON RUBBER)

LOGO "AMP"  
 ("AMP" TRADE MARK)

1) PER RAPPRESENTAZIONE DIMA CONTROPARTE  
 VEDERE FOGLIO 2 DI 2.  
 (FOR COUNTERPART DETAIL SEE SEET 2 OF 2)

GRIGIO (GREY)	PA 6.6 CAR. VETRO	282088-2
NERO (BLACK)	(PA 6.6 G.F.)	282088-1
FINITURA / COLORE (FINISH / COLOUR)	MATERIALE (MATERIAL)	NUMERO (PART NUMBER)

**CUSTOMER DWG. FOR REFERENCE ONLY**     **DISEGNO PER CLIENTE SOLO PER RIFERIMENTO**

THIS DRAWING IS UNPUBLISHED - RELEASE FOR PUBLICATION		19
© COPYRIGHT 19 BY AMP INCORPORATED, HARRISBURG, PA. ALL INTERNATIONAL RIGHT RESERVED. AMP PRODUCTS MAY BE COVERED BY U.S. AND FOREIGN PATENT AND/OR PATENT PENDING		
TOLLERANZE, SE NON DIVERSAMENTE SPECIFICATO (TOLERANCES, UNLESS OTHERWISE SPECIFIED)	DIAM. ISOLANTE (INS. DIA. RANGE)	RANGO FILO (WIRE RANGE)
± 0.3	-	-

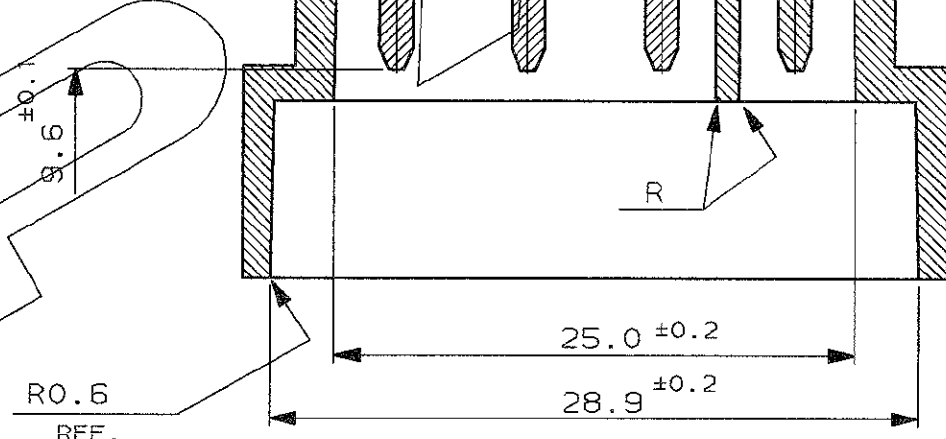
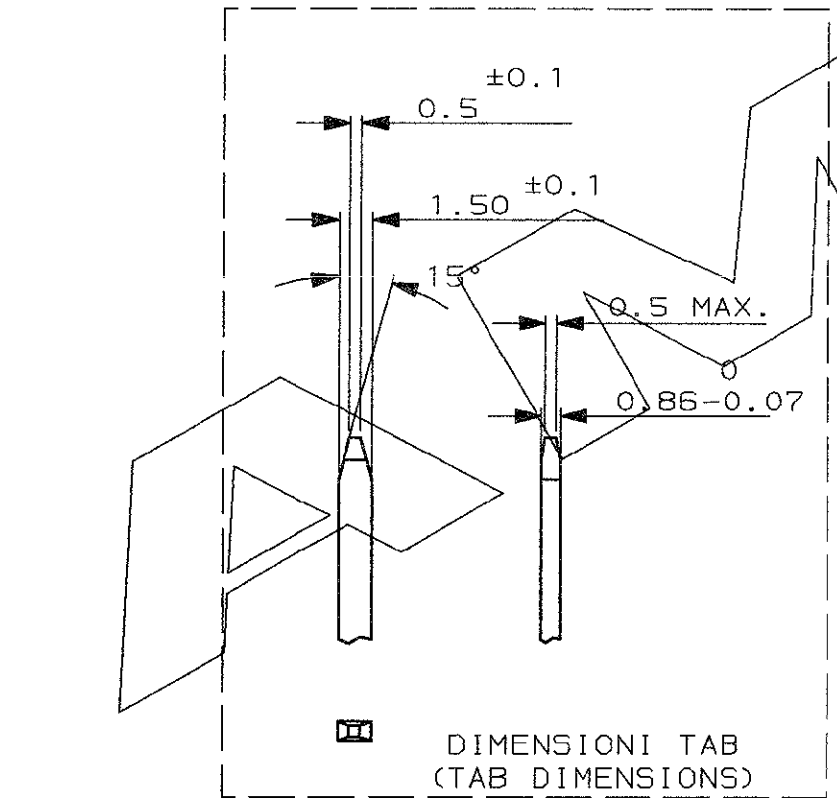
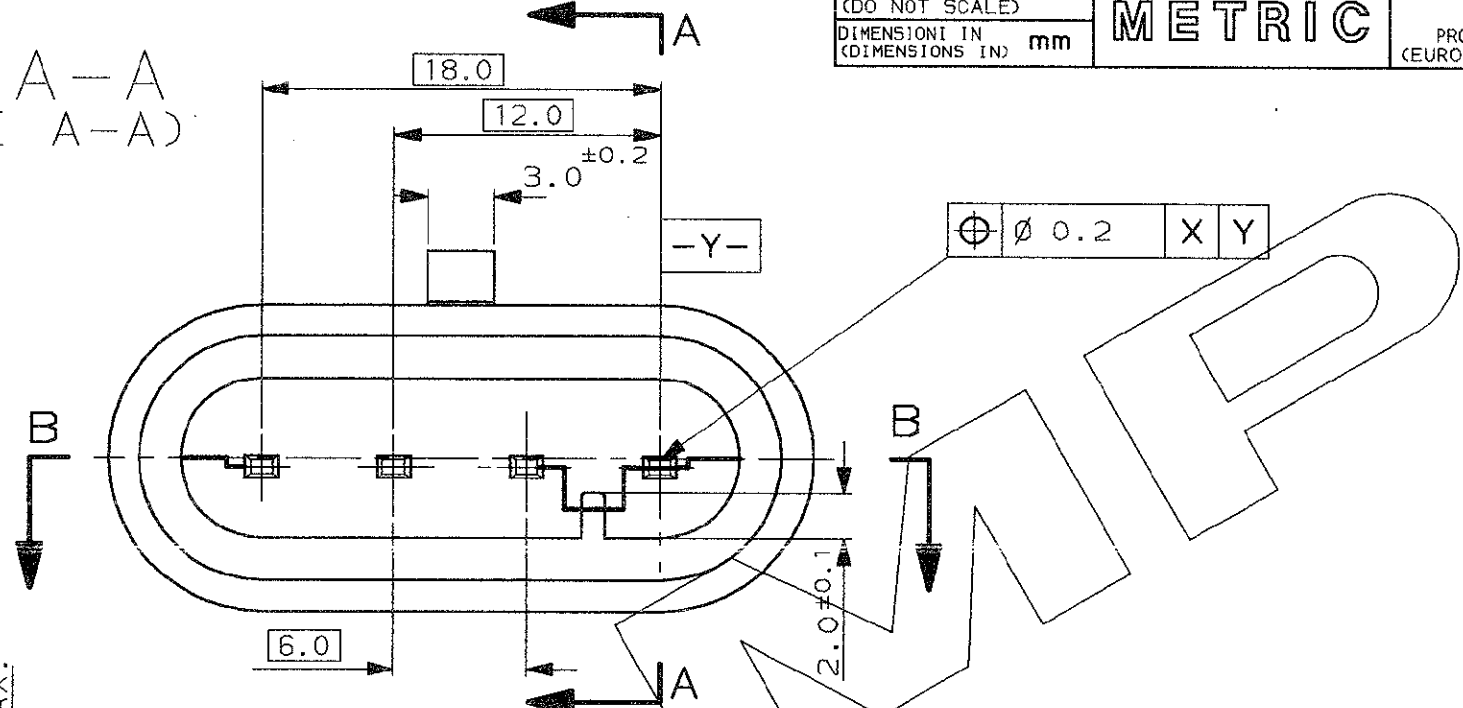
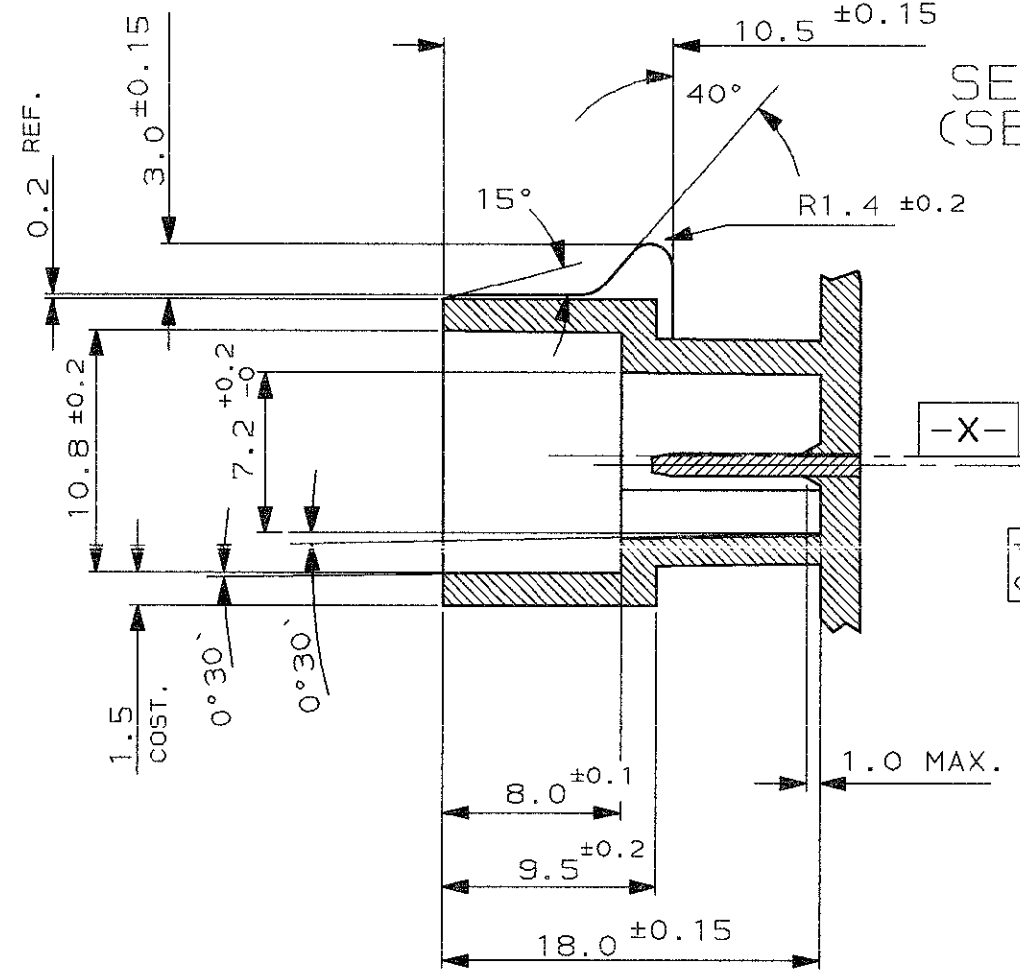
REV.	REVISIONI (REVISION RECORD)	DIS. DATA (DR. DATE)
B2	REVISED PER ET00-0008-04	P.Z. 2011 R.M. 2004
B1	REVISED FOR ET00-0072-98	M.P. 7-4 98
B	UP-DATED ET00-0490-97	M.P. 10-2 97
A1	UP-DATED (ET00-0342-96)	C B
A	SEE SHEET 2 of 2	C B 29-4 96
5	UP-DATED	C B 10 92
4	ADDED PN ...-2	C B 8 92
3	UP-DATED	C B 1 92
2	UP-DATED	C B 7 90

<b>AMP</b> AMP ITALIA S.p.A. Corso F.lli Cervi, 15 COLLEGNO (TORINO)	
DESCRIZIONE (DESCRIPTION)	4 POS. PLUG ASS'Y
AMP SUPERSEAL 1.5 SERIES CONNECTORS	
LOC. SIZE NUMERO (DWG NO)	REV. FOGLIO (SHEET)
I A3 C-282088	B2 1 DI (OF) 2

DISTRIBUZIONE (PRINT DIST.)

SEZIONE A-A  
 (SEZIONE A-A)

SEZIONE B-B  
 (SEZIONE B-B)



	PA 6.6 CAR. VETRO (PA 6.6 G.F.)	
FINITURA / COLORE (FINISH / COLOUR)	MATERIALE (MATERIAL)	NUMERO (PART NUMBER)
CUSTOMER DWG. FOR REFERENCE ONLY		DISEGNO PER CLIENTE SOLO PER RIFERIMENTO
THIS DRAWING IS UNPUBLISHED		RELEASE FOR PUBLICATION 19
© COPYRIGHT 19 BY AMP INCORPORATED, HARRISBURG, PA. ALL INTERNATIONAL RIGHT RESERVED. AMP PRODUCTS MAY BE COVERED BY U.S. AND FOREIGN PATENT AND/OR PATENT PENDING		
TOLLERANZE, SE NON DIVERSAMENTE SPECIFICATO (TOLERANCES, UNLESS OTHERWISE SPECIFIED)	DIAM. ISOLANTE (INS. DIA. RANGE)	RANGO FILO (WIRE RANGE)
± 0.3	-	-
ANGOLI (ANGLES)	AMP AMP ITALIA S.p.A. Corso F.lli Cervi, 15 COLLEGNO (TORINO)	
DIS. C. BERTINI (DR.) 5-92	DESCRIZIONE (DESCRIPTION) COUNTERPART FOR	
CONT. - (CHK) -	FOUR POS. REC. HSG. ASS'Y	
APP. - (APP.) -	LOC. SIZE NUMERO (DWG NO)	REV. FOGLIO (SHEET)
REV. (REV. LTR.)	I A3 C-282088	B2 2 OF 2
REVISIONI (REVISION RECORD)	DIS. DATA (DR) (DATE)	

DISTRIBUZIONE  
(PRINT DIST.)