

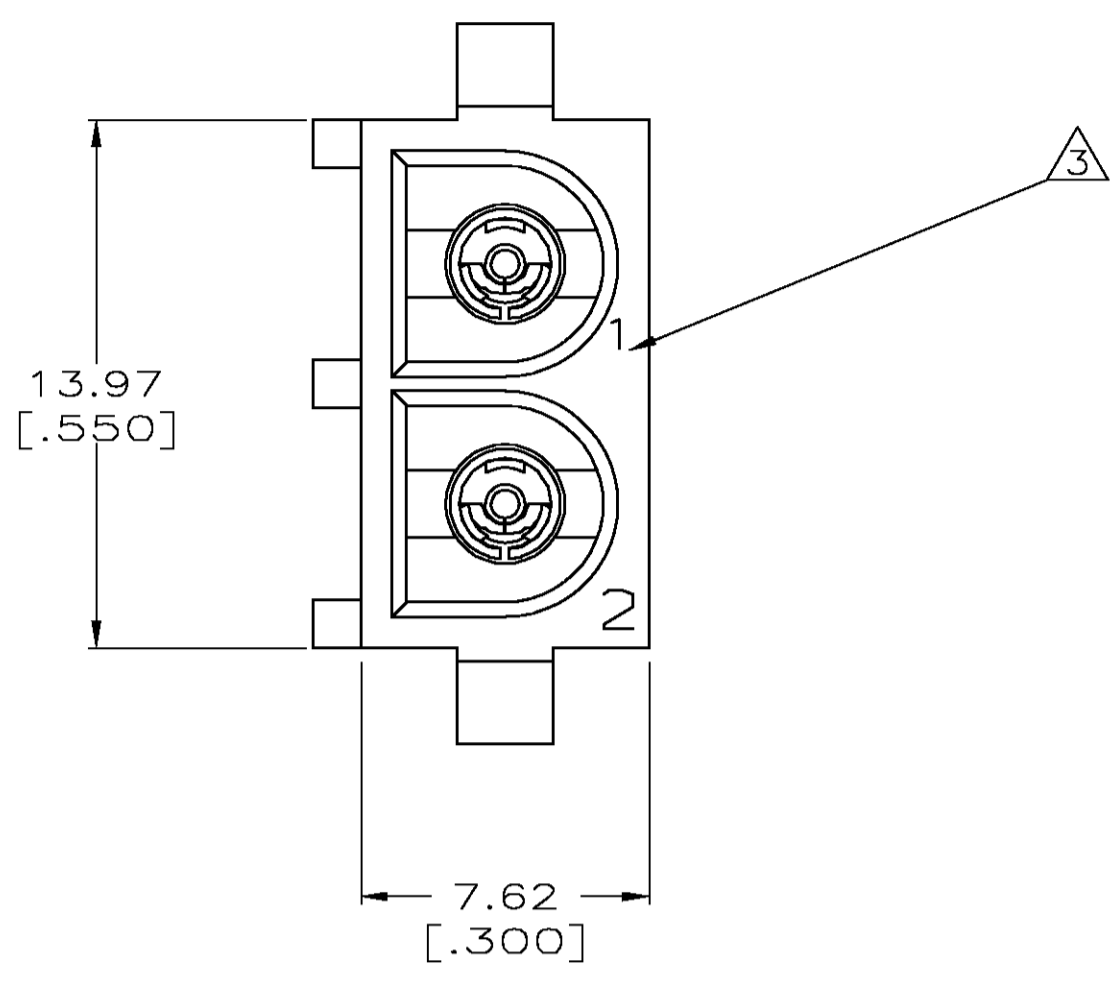
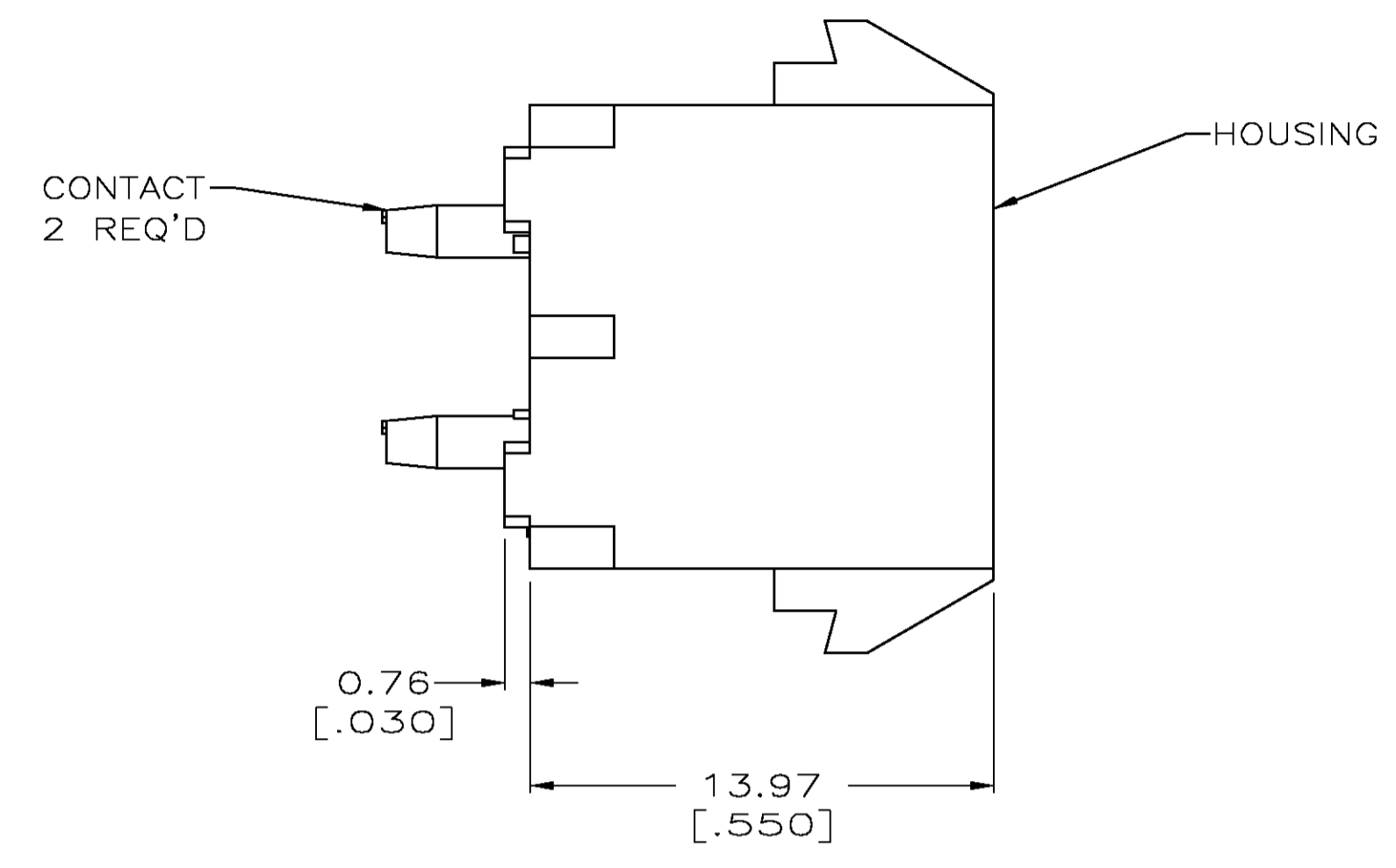
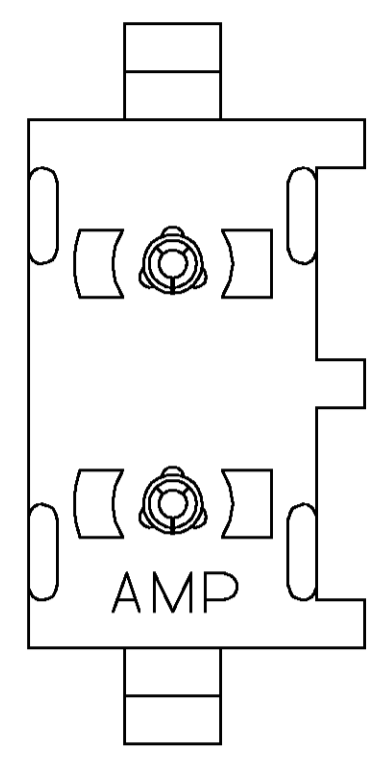
Distributed by:

**JAMECO**<sup>®</sup>  
ELECTRONICS

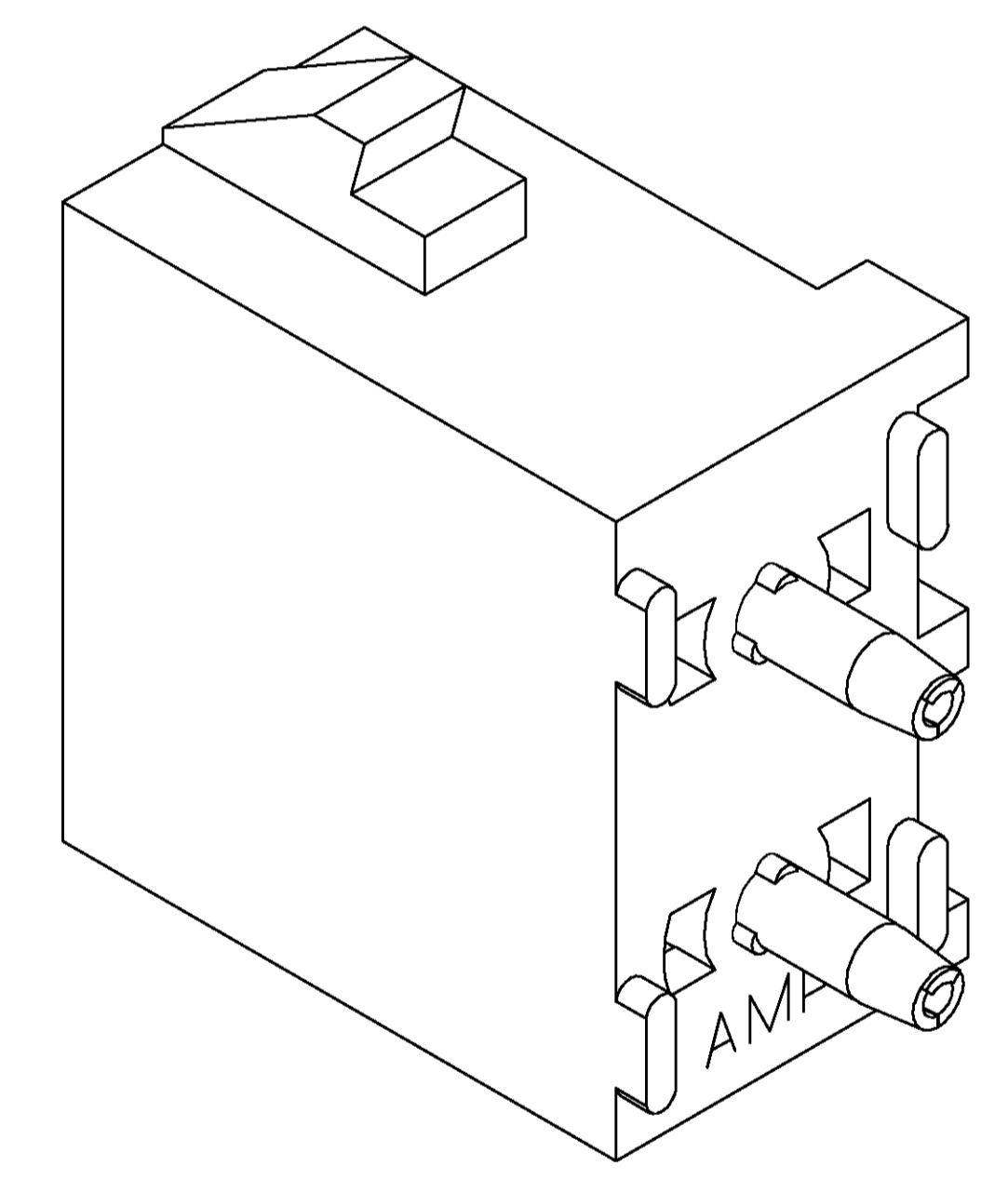
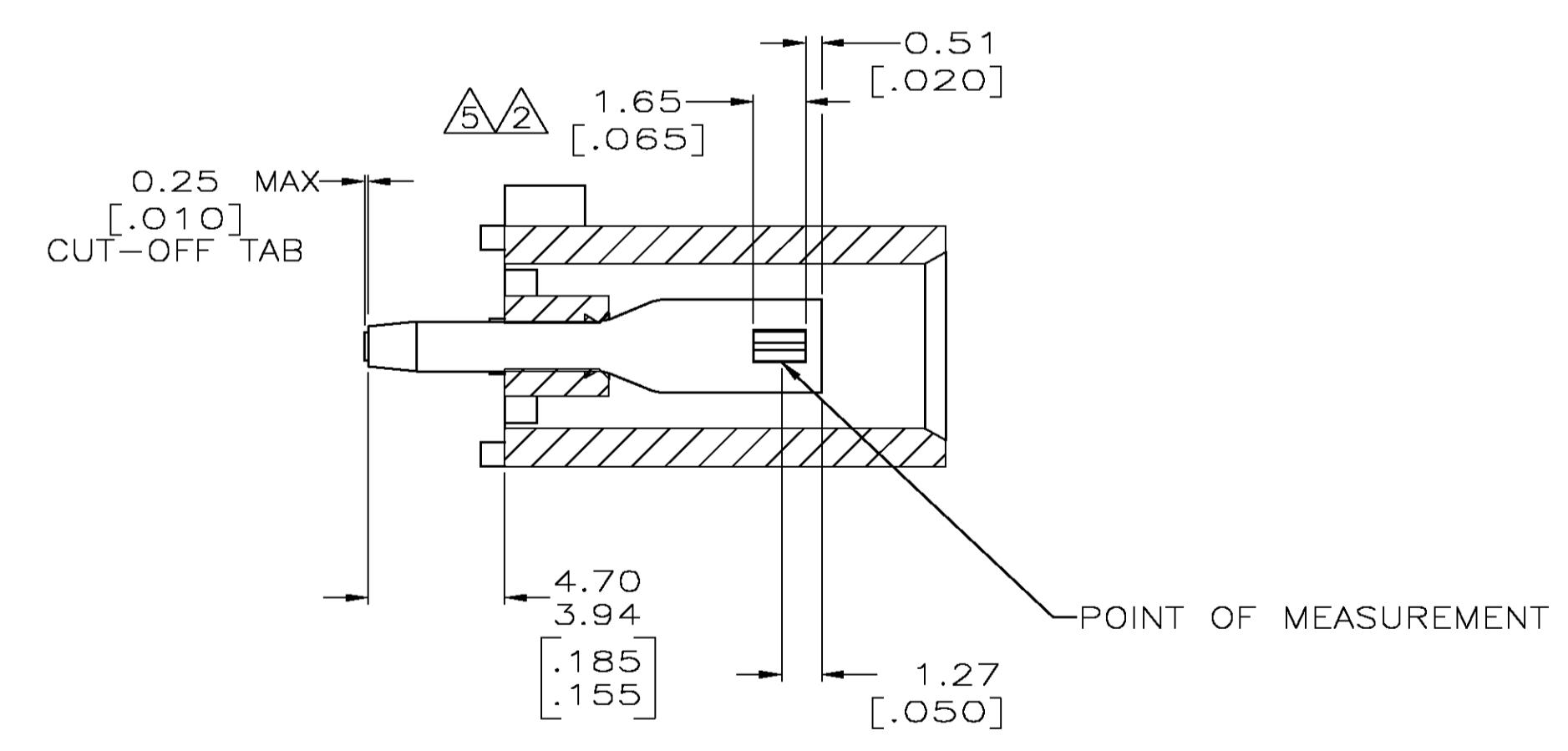
**www.Jameco.com ♦ 1-800-831-4242**

The content and copyrights of the attached  
material are the property of its owner.

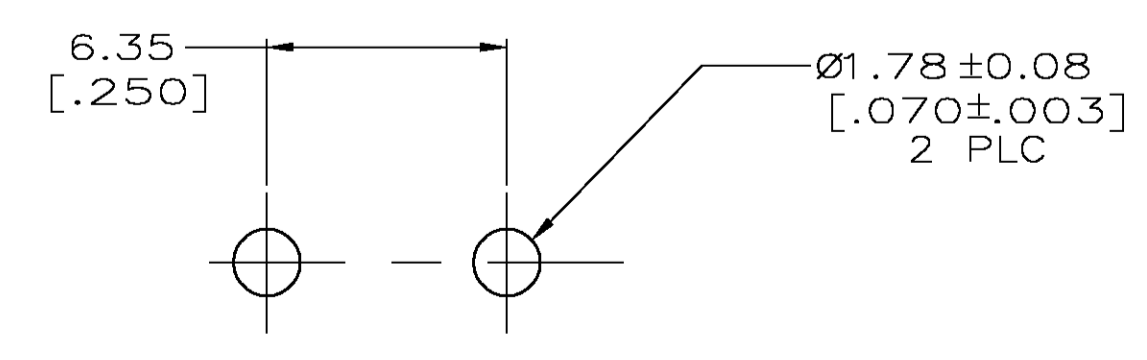
Jameco Part Number 1967694



- PARTS COMPLY TO AMP SOLDERABILITY SPECIFICATION 109-11-3.
- CONTACT IS PLATED OVERALL WITH 0.00127 [.000050] NICKEL, THEN 0.00076 [.000030] GOLD OVER CONTACT LENGTH INDICATED AND MATTE TIN LEAD ON SOLDER TAIL END.
- CIRCUIT IDENTIFICATION CHARACTERS ARE ADJACENT TO THE INDICATED CAVITIES, BUT LOCATION AND ORIENTATION MAY DIFFER FROM PRINT.
- DIMENSIONS IN BRACKETS ARE IN INCHES.
- CONTACT IS PLATED OVERALL WITH 0.00127 [.000050] NICKEL, THEN 0.00076 [.000030] GOLD OVER CONTACT LENGTH INDICATED AND MATTE TIN ON SOLDER TAIL END.

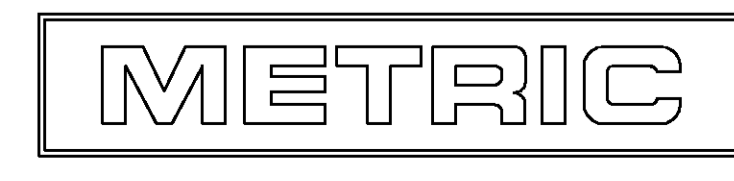


3-DIMENSIONAL MODEL NTS



RECOMMENDED MOUNTING HOLE PATTERN FOR 1.57 [.062] THICK P.C. BOARD

|                             |                     |             |
|-----------------------------|---------------------|-------------|
| PHOSPHOR BRONZE, GOLD       | NYLON,UL94V-0,WHITE | 350824-4    |
| PHOSPHOR BRONZE, GOLD       | NYLON,UL94V-0,WHITE | 350824-2    |
| PHOSPHOR BRONZE, PRE-TIN    | NYLON,UL94V-0,WHITE | 350824-1    |
| CONTACT MATERIAL AND FINISH | HOUSING MATERIAL    | PART NUMBER |



THIS DRAWING IS A CONTROLLED DOCUMENT.

|                         |  |                     |                     |                      |                    |
|-------------------------|--|---------------------|---------------------|----------------------|--------------------|
| DIMENSIONS: mm [INCHES] | TOLERANCES UNLESS OTHERWISE SPECIFIED: | DIN 9 LUIS 8-19-98  | CRK R SWING 8-19-98 | APVD M TRULL 8-19-98 | NAME               |
| 0 PLC ± -               | 1 PLC ± -                              | 2 PLC ± 0.13 [.005] | 3 PLC ± -           | 4 PLC ± -            | ANGLES ± 0.30°     |
| MATERIAL SEE TABLE      | FINISH SEE TABLE                       | WEIGHT -            | SIZE A1             | CAGE CODE 00779      | DRAWING NO. 350824 |
| CUSTOMER DRAWING        |  |                     | SCALE 5:1           | SHEET 1 OF 1         | REV N              |

tyco Electronics Tyco Electronics Corporation Greensboro, NC 27409

SOCKET HEADER ASSEMBLY, 2 CIRCUIT UNIVERSAL MATE-N-LOK™