

Distributed by:

JAMECO[®]
ELECTRONICS

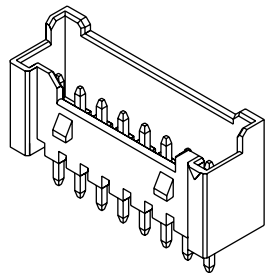
www.Jameco.com ♦ 1-800-831-4242

The content and copyrights of the attached
material are the property of its owner.

Jameco Part Number 1967707

2.00mm (.079") Pitch Sherlock™ Wire-to-Board Header

35362
Vertical



Circuits	Order No.	Lead-free
2	35362-0250	Yes
3	35362-0350	
4	35362-0450	
5	35362-0550	

Features and Benefits

- Sizes 2 to 15 circuits
- Positive locking ribs provide secure mating retention
- Four-wall shroud with guide plate protects pins and facilitates mating
- Compact low-profile design for space savings
- Polarizing end walls prevent mismatching
- Five color choices for circuit identification

Reference Information

Product Specification: PS-35507
 Packaging: Bag
 UL File No.: E29179
 CSA File No.: LR19980
 Mates With: 35507 housing
 Designed In: Millimeters

Electrical

Voltage: 125V
 Current: 2.0A
 Contact Resistance: 20 milliohms max.
 Dielectric Withstanding Voltage: 500V
 Insulation Resistance: 1000 Megohms min.

Mechanical

Mating Force: 5 circuits—58.8N (13.2 lb)
 Unmating Force: 5 circuits—3.3N (0.7 lb)
 Durability: 30 cycles

Physical

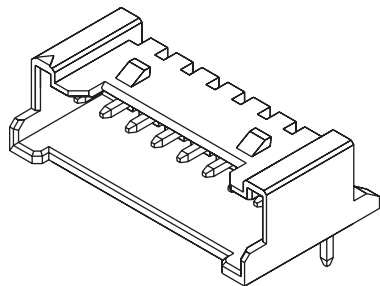
Housing: Polyamide, UL 94V-0
 Contact: Brass
 Plating: Tin
 Operating Temperature: -40 to +105°C
 Mated Height: 7.2mm (.283")
 Mated Width: 5.8mm (.228")

Circuits	Order No.	Lead-free
6	35362-0650	Yes
7	35362-0750	
8	35362-0850	
9	35362-0950	

Circuits	Order No.	Lead-free
11	35362-1150	Yes
12	35362-1250	
14	35362-1450	
15	35362-1550	

2.00mm (.079") Pitch Sherlock™ Wire-to-Board Header

35363
Right Angle



Circuits	Order No.	Lead-free
2	35363-0260	Yes
3	35363-0360	
4	35363-0460	
5	35363-0560	
6	35363-0660	
7	35363-0760	

Features and Benefits

- Sizes 2 to 20 circuits
- Positive locking ribs provide secure mating retention
- Four-wall shroud with guide plate protects pins and facilitates mating
- Compact low-profile design for space savings
- Polarizing end walls prevent mismatching
- Five color choices for circuit identification

Reference Information

Product Specification: PS-35507
 Packaging: Bag
 UL File No.: E29179
 CSA File No.: LR19980
 Mates With: 35507 housing
 Designed In: Millimeters

Electrical

Voltage: 125V
 Current: 2.0A
 Contact Resistance: 20 milliohms max.
 Dielectric Withstanding Voltage: 500V
 Insulation Resistance: 1000 Megohms min.

Mechanical

Mating Force: 5 circuits—58.8N (13.2 lb)
 Unmating Force: 5 circuits—3.3N (0.7 lb)
 Durability: 30 cycles

Physical

Housing: Polyamide, UL 94V-0
 Contact: Brass
 Plating: Tin
 Operating Temperature: -40 to +105°C

Circuits	Order No.	Lead-free
8	35363-0860	Yes
9	35363-0960	
10	35363-1060	
11	35363-1160	
12	35363-1260	
13	35363-1360	

Circuits	Order No.	Lead-free
14	35363-1460	Yes
15	35363-1560	
17	35363-1760	
20	35363-2060	

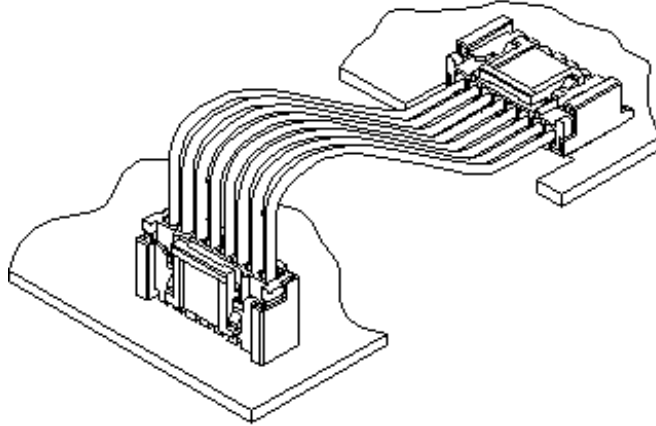


PRODUCT SPECIFICATION

TITLE : 2.0 PITCH W/B CONN. (P-LOCK)

1.0 적용범위 (SCOPE)

이 사양서는 2.0 mm pitch connector(Positive Lock) **LEAD FREE** series에 대하여 규정한다.
This Product Specification covers the 2.0 mm pitch connector(Positive Lock) **LEAD FREE** series.



2.0 제품사양 (PRODUCT DESCRIPTION)

2.1 제품명 및 제품번호 (PRODUCT NAME AND SERIES NUMBERS)

제품명 (PRODUCT NAME)	제품번호 (PART NUMBER)
HOUSING	35507-**-0*
WAFER ASSY – ST	35362-**-0*, -**-5*, -**-6*, -**-7*, -**-8*
WAFER ASSY – RA	35363-**-6*
TERMINAL	50212-8000

2.2 SAFETY AGENCY APPROVALS

UL / CSA 인증 (UL/CSA APPROVALS)

3.0 RATINGS

항 목 (ITEM)	규 격 (STANDARD)	
최대허용전압 [RATED VOLTAGE (MAX.)]	125V	
최대허용전류 및 사용 전선 [RATED CURRENT(MAX.) AND APPLICABLE WIRES]	AWG #24	2.0 A
	AWG #26	1.5 A
	AWG #28	1.0 A
	AWG #30	0.5 A
사용온도범위 (AMBIENT TEMP. RANGE)	-40℃ ~ 105℃	
저장온도범위(Non-operating Temperature)	-40℃ ~ 105℃	

REVISION: A1	ECR/ECN INFORMATION: EC No: KOR2008-0123 DATE: 2008/ 02 / 19	TITLE: NEW 2.0 W/B CONN. (Positive Lock) (2-20P, 6Kinds of color version) - LEAD FREE -	SHEET No. 1 of 6
DOCUMENT NUMBER: PS-35507-003	CREATED / REVISED BY: HJEONG	CHECKED BY: YSOOKIM	APPROVED BY: EHJUNG



PRODUCT SPECIFICATION

4.0 성능 (PERFORMANCE)

4.1 전기적 성능 (ELECTRICAL REQUIREMENTS)

ITEM	DESCRIPTION	TEST CONDITION	REQUIREMENT
4.1.1	접촉저항	결합된 Connector를 개방전압 20mV이하, 단락전류 10mA에서 측정	20 mΩ MAX.
	Contact Resistance	Mate connectors measure by dry circuit, 20mV Max. 10mA	
4.1.2	압착상태의 접촉저항	Wire를 사용하여 터미널을 압착한 상태에서 개방전압 20mV이하, 단락전류 10mA에서 측정한다.	5 mΩ MAX.
	Contact Resistance of Wire Termination	Crimp the applicable connectors at the speed rated of 25 ± 3mm per minute	
4.1.3	절연저항	결합된 Connector를 인접 Terminal사이 및 Terminal과 GND간에 DC500V를 인가하여 측정한다.	1000 MΩ MIN.
	Insulation Resistance	Mate connectors: apply a voltage of 500 VDC between adjacent terminals and between terminals to ground.	
4.1.4	내전압	결합된 Connector를 인접 Terminal사이 및 Terminal과 GND간에 AC500V를 1분간 인가한다.	No breakdown;
	Dielectric Withstanding Voltage	Mate connectors: apply 500VAC for 1 minute between adjacent terminals and between terminals to ground.	
4.1.5	온도상승	결합된 커넥터의 최대허용전류를 통전하고 커넥터의 온도상승분을 측정한다.	30°C MAXIMUM
	Temperature Rise	Mate connectors: measure the temperature rise at the rated current	

4.2 MECHANICAL REQUIREMENTS

ITEM	DESCRIPTION	TEST CONDITION	REQUIREMENT
4.2.1	삽입력 및 발거력	매분 25 ± 3mm의 속도로 삽 · 발거를 실시한다.	제 6항 참조 (REFER TO PARAGRAPH 6)
	Insertion & Withdrawal Forces	Insert and withdraw connectors at a rate of 25 ± 3 mm per minute.	

REVISION:	ECR/ECN INFORMATION:	TITLE:	SHEET No.
A1	EC No: KOR2008-0123 DATE: 2008/ 02 / 19	NEW 2.0 W/B CONN. (Positive Lock) (2-20P, 6Kinds of color version) - LEAD FREE -	2 of 6
DOCUMENT NUMBER:	CREATED / REVISED BY:	CHECKED BY:	APPROVED BY:
PS-35507-003	HJEONG	YSOOKIM	EHJUNG



PRODUCT SPECIFICATION

4.2 MECHANICAL REQUIREMENTS (continued)

4.2.2	단자 고착력	압착된 터미널을 매분 $25 \pm 3\text{mm}$ 의 속도로 WIRE를 축방향으로 당긴다.	AWG#24	3.0Kgf/MIN
			AWG#26	.2.0Kgf/MIN.
	Crimping Fullout Forces	Fix the crimped terminal, apply axial pullout force on the wire at a rate of 25 ± 3 mm per minute.	AWG#28	1.0Kgf/MIN.
			AWG#30	0.5Kgf/MIN.
4.2.3	터미널 삽입력	하우징에 터미널을 조립한 상태에서 매분 $25 \pm 3\text{mm}$ 의 속도로 축방향으로	1.0 kgf MAXIMUM	
	Terminal Insertion Force (into Housing)	Apply an axial insertion force on the terminal at a rate of 25 ± 3 mm per minute		
4.2.4	터미널 유지력	하우징과 터미널을 조립한 상태에서 매분 $25 \pm 3\text{mm}$ 의 속도로 축방향으로 당긴다.	1.5 kgf MINIMUM	
	Terminal Retention Force (in Housing)	Apply axial pullout force on the terminal in the housing at a rate of 25 ± 3 mm per minute.		
4.2.5	PIN 유지력	하우징과 터미널을 조립한 상태에서 매분 $25 \pm 3\text{mm}$ 의 속도로 축방향으로 당긴다.	1.0 kgf MINIMUM	
	Pin Retention Force	Apply an axial push force on the pin at a rate of 25 ± 3 mm per minute		
4.2.6	Connector 결합력	단자간 결합이 제외된 결합된 커넥터를 매분 $25 \pm 3\text{mm}$ 의 속도로 축방향으로 당긴다.	2~3ckts	2 kgf MINIMUM
	Lock Strength	Mated connector (Only mold part), apply axial pullout force at the speed rate of $25 \pm 3\text{mm}$ per minute	4~20ckts	3 kgf MINIMUM
4.2.7	반복 삽 - 발거	1분간 10회의 속도로 삽 · 발거를 30회 반복한다.	접촉저항	40 m Ω MAX.
	REPEATED INSERTION/ WITHDRAWAL	When mated up to 30 cycles repeatedly by the mate 10 cycle per minute.	Contact Resistance	

REVISION:	ECR/ECN INFORMATION:	TITLE:	SHEET No.
A1	EC No: KOR2008-0123 DATE: 2008/ 02 / 19	NEW 2.0 W/B CONN. (Positive Lock) (2-20P, 6Kinds of color version) - LEAD FREE -	3 of 6
DOCUMENT NUMBER:	CREATED / REVISED BY:	CHECKED BY:	APPROVED BY:
PS-35507-003	HJEONG	YSOOKIM	EHJUNG



PRODUCT SPECIFICATION

4.2 MECHANICAL REQUIREMENTS (continued)

ITEM	DESCRIPTION	TEST CONDITION	REQUIREMENT	
4.2.8	내진동성	진 폭 : 1.5mm P-P 진 동 수 : 10-55-10Hz/min. 진동시간: X, Y, Z 축 각 2시간	외관	이상 없을 것
			접촉저항	40 mΩ MAX.
			순간단락	1μs MAX.
	VIBRATION	AMPLITUDE : 1.5mm P-P SWEEP TIME : 10-55-10 Hz in 1 minute DURATION : 2 Hours in each X,Y,Z Axes	Appearance	No Damage
			Contact Resistance	40 mΩ MAX.
			Discontinuity	1μs MAX.
4.2.9	내충격성	50g의 충격을 각 X,Y,Z 축에 3회 가한다.	외관	이상 없을 것
			접촉저항	40 mΩ MAX.
			순간단락	1μs MAX.
	SHOCK	50G, 3 Stroke in each axes.	Appearance	No Damage
			Contact Resistance	40 mΩ MAX.
			Discontinuity	1μs MAX.

4.3 ENVIRONMENTAL REQUIREMENTS

ITEM	DESCRIPTION	TEST CONDITION	REQUIREMENT	
4.3.1	내열성	결합된 커넥터를 105 ± 2°C에서 96시간 방치	외관	No Damage.
			접촉저항변화	40mΩ MAX
	Heat Resistance	Mate connectors; Duration: 96 hours; Temperature: 105 ± 2°C	Appearance	No Damage
			Contact Resistance	40mΩ MAX
4.3.2	내한성	결합된 커넥터를 -40 ± 3°C 에서 96시간 방치	외관	No Damage.
			접촉저항변화	40mΩ MAX
	Cold Resistance	Mate connectors: Duration: 96 hours; Temperature: -40 ± 3°C	Appearance	No Damage
			Contact Resistance	40mΩ MAX

REVISION:	ECR/ECN INFORMATION:	TITLE:	SHEET No.
A1	EC No: KOR2008-0123 DATE: 2008/ 02 / 19	NEW 2.0 W/B CONN. (Positive Lock) (2-20P, 6Kinds of color version) - LEAD FREE -	4 of 6
DOCUMENT NUMBER:	CREATED / REVISED BY:	CHECKED BY:	APPROVED BY:
PS-35507-003	HJEONG	YSOOKIM	EJHJUNG



PRODUCT SPECIFICATION

4.3 ENVIRONMENTAL REQUIREMENTS (continued)

ITEM	DESCRIPTION	TEST CONDITION	REQUIREMENT										
4.3.3	온도사이클	커넥터를 결합하고, 아래의 방법으로 5Cycle 적용	외관	이상없을것									
		<table border="0"> <tr> <td>온도 °C</td> <td>시간(분)</td> </tr> <tr> <td>-40 +0/-3</td> <td>30</td> </tr> <tr> <td>+25 ±10</td> <td>5 MAXIMUM</td> </tr> <tr> <td>+105 +3/-0</td> <td>30</td> </tr> <tr> <td>+25 ±10</td> <td>5 MAXIMUM</td> </tr> </table>	온도 °C	시간(분)	-40 +0/-3	30	+25 ±10	5 MAXIMUM	+105 +3/-0	30	+25 ±10	5 MAXIMUM	접촉저항
	온도 °C	시간(분)											
	-40 +0/-3	30											
+25 ±10	5 MAXIMUM												
+105 +3/-0	30												
+25 ±10	5 MAXIMUM												
Thermal Shock	Mate connectors; expose to 5 cycles of:	Appearance	No Damage										
	<table border="0"> <tr> <td>Temperature °C</td> <td>Duration (Minutes)</td> </tr> <tr> <td>-40 +0/-3</td> <td>30</td> </tr> <tr> <td>+25 ±10</td> <td>5 MAXIMUM</td> </tr> <tr> <td>+105 +3/-0</td> <td>30</td> </tr> <tr> <td>+25 ±10</td> <td>5 MAXIMUM</td> </tr> </table>	Temperature °C	Duration (Minutes)	-40 +0/-3	30	+25 ±10	5 MAXIMUM	+105 +3/-0	30	+25 ±10	5 MAXIMUM	Contact Resistance	40m Ω MAX
Temperature °C	Duration (Minutes)												
-40 +0/-3	30												
+25 ±10	5 MAXIMUM												
+105 +3/-0	30												
+25 ±10	5 MAXIMUM												
4.3.4	내습성	커넥터를 결합하고, 아래의 방법적용 온도 : 60 ± 2°C 상대습도 : 90-95% 지속시간 : 96 시간	외관	이상없을것									
			접촉저항	40m Ω MAX									
			내전압	4.1.4항 만족									
			절연저항	100M Ω MAX									
	Humidity (Steady State)	Mate connectors: expose to a temperature of 60 ± 2°C with a relative humidity of 90-95% for 96 hours. Note: Remove surface moisture and air dry for 1 hour prior to measurements.	Appearance	No Damage									
			Contact Resistance	40m Ω MAX									
			Dielectric Strength	Must meet 4.1.4									
			Insulation Resistance	100M Ω MAX									
4.3.5	염수분무	결합된 커넥터를 35 ± 2°C에서 5± 1% 중량비의 염수를 48시간 분무하고 시험후 상온에서 물로 씻은후 실온에서 건조시킨다.	외관	이상없을것									
			접촉저항	40m Ω MAX									
	Salt Spray	48hours exposure to a salt spray from 5± 1% solution at 35 ± 2°C	Appearance	No Damage									
			Contact Resistance	40m Ω MAX									
4.3.6	아황산가스	결합된 커넥터를 40 ± 2°C의 온도에서 50 ± 2 ppm의 아황산가스에 24시간 방치한다.	외관	이상없을것									
			접촉저항	40m Ω MAX									
	Corrosive Atmosphere: Sulfur Dioxide Gas (SO ₂)	Mate connectors: Duration: 24 hours exposure; Atmosphere: 50 parts per million (ppm) SO ₂ gas; Temperature: 40 ± 2°C	Appearance	No Damage									
			Contact Resistance	40m Ω MAX									

REVISION:	ECR/ECN INFORMATION:	TITLE:	SHEET No.
A1	EC No: KOR2008-0123 DATE: 2008/ 02 / 19	NEW 2.0 W/B CONN. (Positive Lock) (2-20P, 6Kinds of color version) - LEAD FREE -	5 of 6
DOCUMENT NUMBER:	CREATED / REVISED BY:	CHECKED BY:	APPROVED BY:
PS-35507-003	HJEONG	YSOOKIM	EHJUNG



PRODUCT SPECIFICATION

4.3 ENVIRONMENTAL REQUIREMENTS (continued)

ITEM	DESCRIPTION	TEST CONDITION	REQUIREMENT
4.3.7	납땀성	납땀시간 : 3 ± 0.5 sec 납땀온도 : 245 ± 5 °C	침적면적 95%이상
	Solder ability	Soldering time : 3 ± 0.5 sec Solder temperature : 245 ± 5 °C	Solder coverage: 95% MIN. (Must be no voids, pin holes)
4.3.8	납땀내열성	납땀시간 : 5 ± 0.5 sec 납땀온도 : 260 ± 5 °C	이상없을것
	Solder Resistance	Dip connector terminal tails in solder: Solder Duration: 5 ± 0.5 seconds; Solder Temperature: 260 ± 5 °C	Visual: No Damage to insulator material

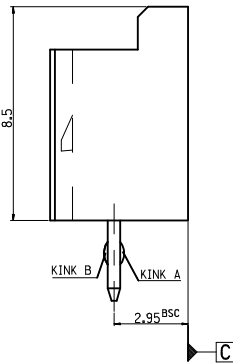
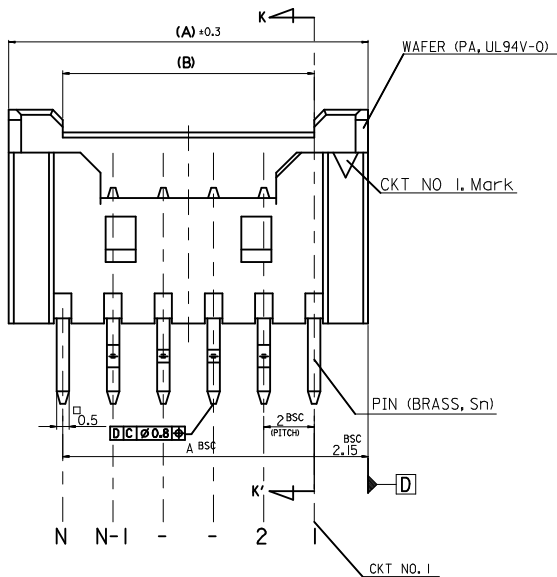
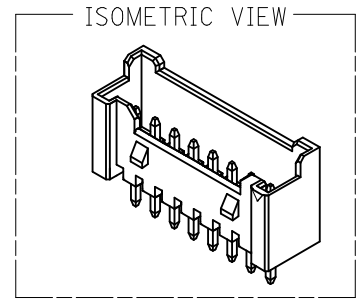
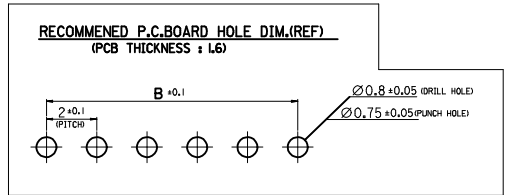
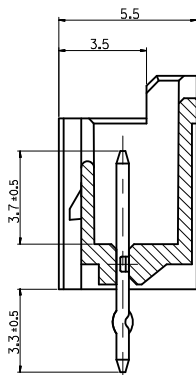
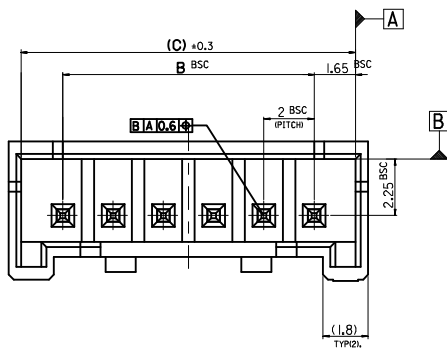
5.0 외관, 형상, 치수 및 재질 (PRODUCT SHAPE, DIMENSION & MATERIAL)

→ 도면참조 (Refer to the drawing)

6.0 삽입력 및 발거력 (INSERTION / WITHDRAWAL FORCE)

극 수 (Ckt size)	삽입력[최대] INSERTION[MAX.]			발거력[최소] WITHDRAWAL[MIN.]		
	1회 (INITIAL)	6회 (6 th)	30회 (30 th)	1회 (INITIAL)	6회 (6 th)	30회 (30 th)
2	3.6	3.4	3.4	0.1	0.07	0.07
3	4.4	4.1	4.1	0.1	0.07	0.07
4	5.2	4.8	4.8	0.1	0.07	0.07
5	6.0	5.5	5.5	0.25	0.15	0.15
6	6.6	6.0	6.0	0.25	0.15	0.15
7	7.2	6.5	6.5	0.25	0.15	0.15
8	7.8	7.0	7.0	0.25	0.15	0.15
9	8.4	7.5	7.5	0.45	0.30	0.30
10	9.0	8.0	8.0	0.45	0.30	0.30
11	9.6	8.5	8.5	0.45	0.30	0.30
12	10.2	9.0	9.0	0.45	0.30	0.30
13	10.8	9.5	9.5	0.65	0.45	0.45
14	11.4	10.0	10.0	0.65	0.45	0.45
15	12.0	10.5	10.5	0.65	0.45	0.45
16	12.6	11.0	11.0	0.65	0.45	0.45
17	13.2	11.5	11.5	0.85	0.60	0.60
18	13.8	12.0	12.0	0.85	0.60	0.60
19	14.4	12.5	12.5	0.85	0.60	0.60
20	15.0	13.0	13.0	0.85	0.60	0.60

REVISION:	ECR/ECN INFORMATION:	TITLE:	SHEET No.
A1	EC No: KOR2008-0123 DATE: 2008/ 02 / 19	NEW 2.0 W/B CONN. (Positive Lock) (2-20P, 6Kinds of color version) - LEAD FREE -	6 of 6
DOCUMENT NUMBER:	CREATED / REVISED BY:	CHECKED BY:	APPROVED BY:
PS-35507-003	HJEONG	YSOOKIM	EHJUNG



LEGEND

SD-35362-****

CKT NO. _____ COLOR _____

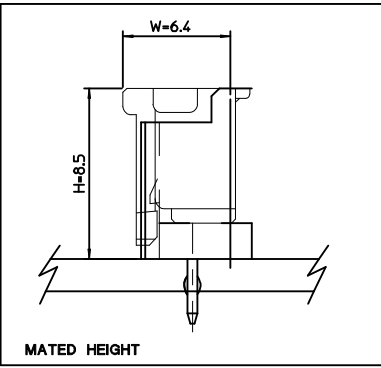
- 0 : NATURAL
- 1 : BLACK
- 2 : RED
- 3 : YELLOW
- 4 : BLUE
- 5 : GREEN
- 6 : TUBE PACKING (Natural Color)
- 7 : TUBE PACKING (Red Color)
- 8 : TUBE PACKING (Blue Color)

- FINAL GOOD (BULK)
 - 5 : SELECTIVE KINK (LEAD FREE)
 - 6 : NONE KINK (LEAD FREE)
- SUB ASSY (TUBE)
 - 7 : SELECTIVE KINK (LEAD FREE)
 - 8 : NONE KINK (LEAD FREE)

- NOTES**
- MATERIAL : UNFILLED POLYAMIDE, UL94V-0
PIN : BRASS . TIN PLATED
 - FINISHES : TERMINAL : Sn 2-3um OVERALL
 - PRODUCT SPECIFICATION : PS-35507-003
 - MATING HOUSING : 35507-**0*
MATING TERMINAL : 50212-8000
 - KINK

CKT NO	1	2	3	4	5	N-2	N-1	N
6 CKT OVER	-	A	B	-	-	B	A	-
5 CKT	A	B	-	B	A			
4 CKT	A	B	B	A				

31.3	28	32.3	3536215**	35362-15**	15
29.3	26	30.3	3536214**	35362-14**	14
27.3	24	28.3	3536213**	35362-13**	13
25.3	22	26.3	3536212**	35362-12**	12
23.3	20	24.3	3536211**	35362-11**	11
21.3	18	22.3	3536210**	35362-10**	10
19.3	16	20.3	3536209**	35362-09**	9
17.3	14	18.3	3536208**	35362-08**	8
15.3	12	16.3	3536207**	35362-07**	7
13.3	10	14.3	3536206**	35362-06**	6
12.3	8	12.3	3536205**	35362-05**	5
9.3	6	10.3	3536204**	35362-04**	4
(C)	B	(A)	ENG. NO.	ENG. NO.	CKT



LEAD FREE

30 over	±0.3
10 over 30 under	±0.25
10 under	±0.2
ANGLE	±3°
GENERAL TOLERANCE	

REVISE
EC NO: KOR2008-0018
DRWN: JBAE
CHKD: YSOOK IM
APPR: YUNS IKK IM

QUALITY SYMBOLS
▽=0
△=0

GENERAL TOLERANCES (UNLESS SPECIFIED)

	DIMENSION STYLE	
	mm	INCH
4 PLACES	±---	±---
3 PLACES	±---	±---
2 PLACES	±---	±---
1 PLACE	±---	±---

ANGULAR ±---°

DRAFT WHERE APPLICABLE MUST REMAIN WITHIN DIMENSIONS

DIMENSION STYLE: MM ONLY

SCALE: 5:1

DESIGN UNITS: METRIC

THIRD ANGLE PROJECTION

TITLE: 2.0 W/B WAFER ASS'Y -LEAD FREE-

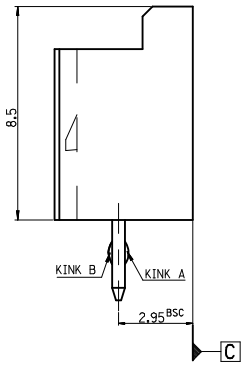
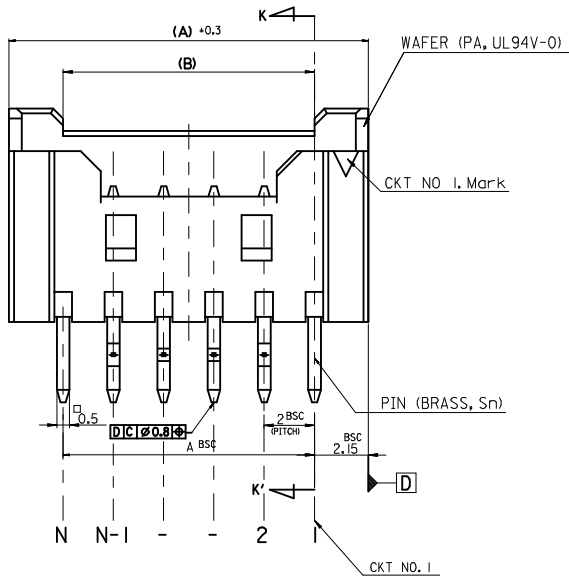
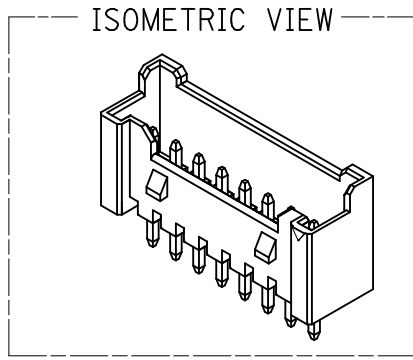
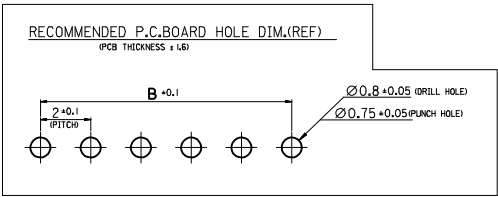
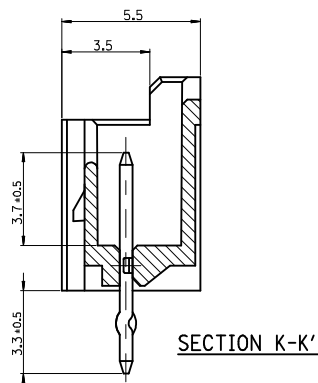
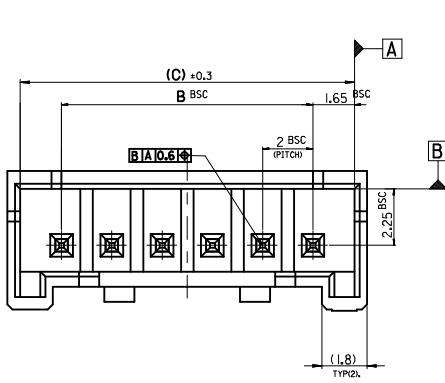
APPROVED BY: CWLEE DATE: 1996/09/11

MATERIAL NO. SEE TABLE

DOCUMENT NO. SD-35362-002

SHEET NO. 1 OF 3

THIS DRAWING CONTAINS INFORMATION THAT IS PROPRIETARY TO MOLEX INCORPORATED AND SHOULD NOT BE USED WITHOUT WRITTEN PERMISSION



LEGEND

SD-35362-***
 CKT NO. — COLOR

- 0 : NATURAL
- 1 : BLACK
- 2 : RED
- 3 : YELLOW
- 4 : BLUE
- 5 : GREEN
- 6 : TUBE PACKING (Natural Color)
- 7 : TUBE PACKING (Red Color)
- 8 : TUBE PACKING (Blue Color)

FINAL GOOD (BULK) — 5 : SELECTIVE KINK (LEAD FREE)
 — 6 : NONE KINK (LEAD FREE)

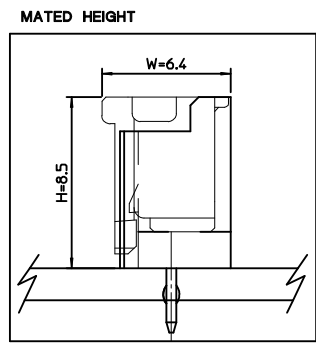
SUB ASSY (TUBE) — 7 : SELECTIVE KINK (LEAD FREE)
 — 8 : NONE KINK (LEAD FREE)

NOTES

- ① MATERIAL : WAFER : UNFILLED POLYAMIDE, UL94V-0
PIN : BRASS
- ② FINISHES : TERMINAL : Sn 2.3um OVERALL
- ③ PRODUCT SPECIFICATION : PS-35507-003
- ④ MATING HOUSING : 35507-***0*
MATING TERMINAL : 50212-8000
- ⑤ KINK

CKT	CKT NO		3	-	N-2	N-1	N
	1	2					
16±20 CKT	-	A	B	-	-	B	A

41.3	38	42.3	3536220**	35362-20**	20
39.3	36	40.3	3536219**	35362-19**	19
37.3	34	38.3	3536218**	35362-18**	18
35.3	32	36.3	3536217**	35362-17**	17
33.3	30	34.3	3536216**	35362-16**	16
(C)	B	(A)	MATERIAL NO.	ENG. NO.	CKT



LEAD FREE

30 over	±0.3
10 over 30 under	±0.25
10 under	±0.2
ANGLE	±3°
GENERAL TOLERANCE	

REVISED
 EC NO: KOR2008-0018
 DRWN: JBAE 2009/01/14
 CHKD: YSOOK IM 2009/01/14
 APPR: YUNS IKK IM 2009/01/15

QUALITY SYMBOLS
 ▽=0
 ▽=0

GENERAL TOLERANCES (UNLESS SPECIFIED)

	mm	INCH
4 PLACES	±---	±---
3 PLACES	±---	±---
2 PLACES	±---	±---
1 PLACE	±---	±---
ANGULAR	±---°	

DRAFT WHERE APPLICABLE MUST REMAIN WITHIN DIMENSIONS

DIMENSION STYLE
MM ONLY

SCALE
5:1

DESIGN UNITS
METRIC

THIRD ANGLE PROJECTION

DRAWN BY
 YSOOK IM
 DATE
 1996/09/11

CHECKED BY
 JKOH
 DATE
 1996/09/11

APPROVED BY
 CWLEE
 DATE
 1996/09/11

MATERIAL NO.
SEE TABLE

TITLE
2.0 W/B WAFER ASS'Y -LEAD FREE-

MOLEX INCORPORATED

DOCUMENT NO.
SD-35362-002

SHEET NO.
3 OF 3

THIS DRAWING CONTAINS INFORMATION THAT IS PROPRIETARY TO MOLEX INCORPORATED AND SHOULD NOT BE USED WITHOUT WRITTEN PERMISSION

DWG. NO.
SD-35362-003

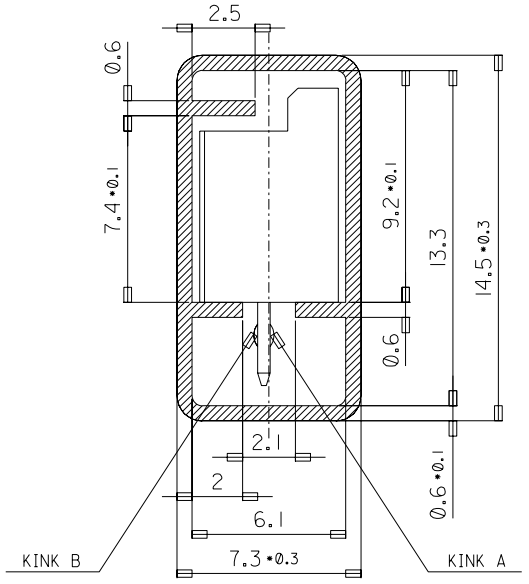
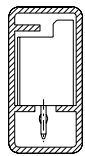
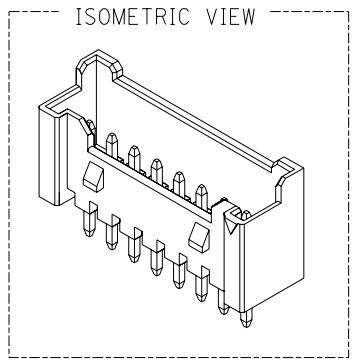
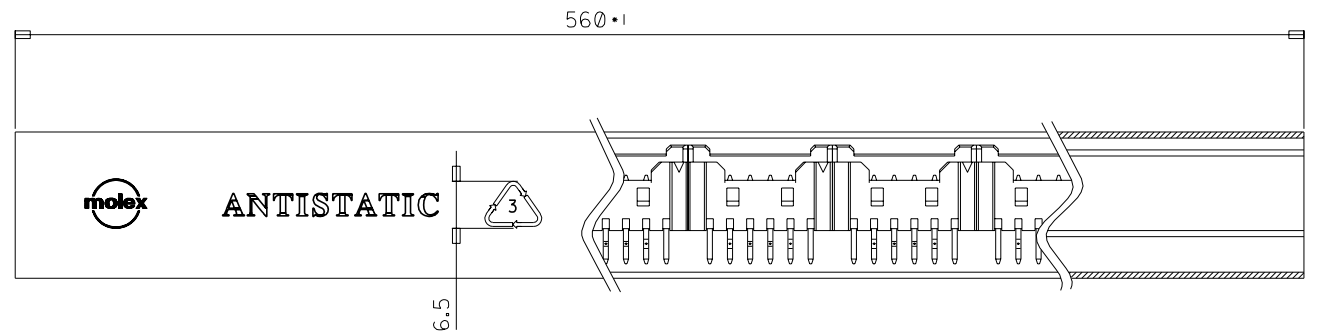
SIMILAR ITEM

PROJECT NO.

C

B

DO NOT SCALE DRAWING
DIMENSION IN METRIC



LEGEND.

E-35362-*** **

2-20 Circuits- [CKT NO.]

Final GOOD (Bulk) 5 : SELECTIVE KINK
6 : NONE KINK

Sub Assy (Tube) 7 : SELECTIVE KINK
8 : NONE KINK

[KINK]

COLOR & PACKING

- 0 : NATURAL
- 1 : BLACK
- 2 : RED
- 3 : YELLOW
- 4 : BLUE
- 5 : GREEN
- 6 : TUBE PACKING (Natural Color)
- 7 : TUBE PACKING (RED Color)
- 8 : TUBE PACKING (BLUE Color)

[B]

NOTES

1. MATERIAL : TUBE - TRANSLUCENT P.V.C (P-1000)
Wafer - POLYAMIDE, UL94V-0
PIN - BRASS SQ 0.5mm
2. BOW(CAMBER) : 1.0mm MAX/Total Length
3. DIMENSIONS GIVEN ACROSS CENTER LINES ARE SYMMETRICAL ABOUT THOSE CENTER LINES WITH HALF THE TOTAL LENGTH.
4. TOTAL TUBE LENGTH : 560mm ± 1mm
5. TWIST : 5° MAX./Total Length
6. BURRS : 0.2mm MAX.
7. SKEW : PRODUCTS MUST BE FLOWED SMOOTHLY WHEN THIS STICK IS PLACES 30° ANGLE.
8. THICKNESS : 0.6mm ± 0.1mm
9. ARTWORK : PER E-35900-0434 (SILK SCREEN COLOR : RED)
10. APPLICABLE STOPPER(RUBBER) : 35900-0435

TABLE

10	20**	-20**	20
10	19**	-19**	19
10	18**	-18**	18
10	17**	-17**	17
15	16**	-16**	16
15	15**	-15**	15
15	14**	-14**	14
15	13**	-13**	13
15	12**	-12**	12
20	11**	-11**	11
20	10**	-10**	10
25	09**	-09**	9
25	08**	-08**	8
30	07**	-07**	7
35	06**	-06**	6
40	05**	-05**	5
50	04**	-04**	4
60	03**	-03**	3
70	3536202**	35362-02**	2
QT'y	Material NO.	ENG. NO.	CKT

KINK TABLE(FOR 35362-****)

CKT NO	1	2	3	4	5	N-2	N-1	N
6 CKT OVER	-	A	B	-	-	B	A	-
5 CKT	A	B	-	B	A			
4 CKT	A	B	B	A				
3 CKT	A	B	A					
2 CKT	None Kink							

RELEASED EC NO. KOR2004-0137 DRAWN: YSOOKIM 04/02/25 CHK: YUNSIKKIM APPR: C.W.LEE	QUALITY SYMBOLS MAJOR CRITICAL	GENERAL TOLERANCES: (UNLESS SPECIFIED)	SCALE 5 : 1	DESIGN UNITS <input checked="" type="checkbox"/> mm <input type="checkbox"/> INCH	THIRD ANGLE PROJECTION <input type="checkbox"/> mm <input type="checkbox"/> INCH	DIMENSIONS: <input type="checkbox"/> mm <input type="checkbox"/> INCH	SHT	REV
			DRAWN BY & DATE Y.SOO.Kim 00/12/11	CHECKED BY & DATE J.K.OH				
A	DESCRIPTION	ANGULAR: ± 1°	DRAWN BY & DATE Y.SOO.Kim 00/12/11		MATERIAL NO. SD35362-003			
			APPROVED BY & DATE C.W.LEE		DRAWING NO. SD-35362-003		SHEET NO. 1 of 1	
REV		DRAFT WHERE APPLICABLE MUST REMAIN WITHIN DIMENSIONS		THIS DRAWING CONTAINS INFORMATION THAT IS PROPRIETARY TO MOLEX INCORPORATED AND SHOULD NOT BE USED WITHOUT WRITTEN PERMISSION.				SIZE B

LEAD FREE