

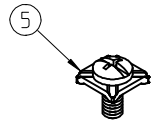
Distributed by:

JAMECO[®]
ELECTRONICS

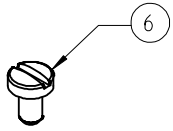
www.Jameco.com ♦ 1-800-831-4242

The content and copyrights of the attached
material are the property of its owner.

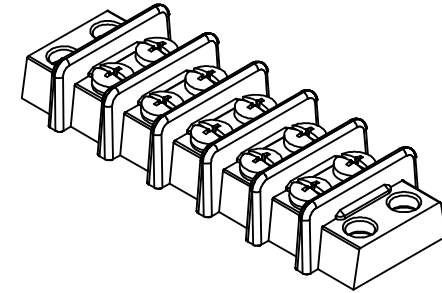
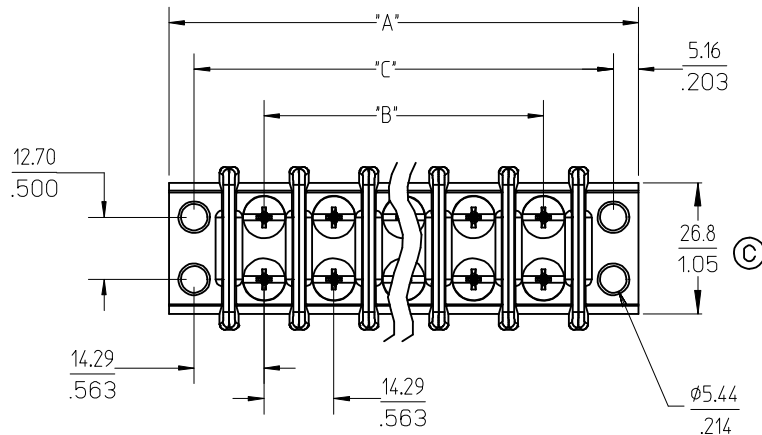
Jameco Part Number 1968005



REF. -50 OPT. SCREW
(WHERE APPLICABLE)

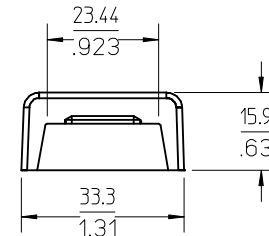
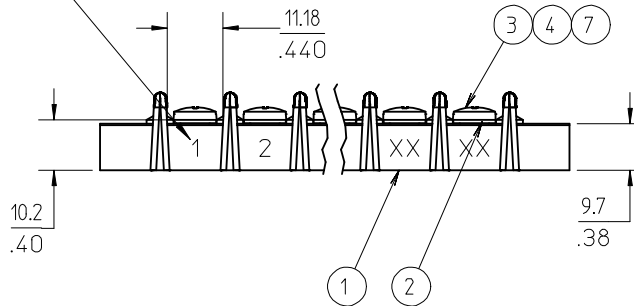


REF. -56 OPT. SCREW
(WHERE APPLICABLE)



5 CIRCUIT SHOWN

IMPRINTING FOR
OPTION -10A ONLY
(SEE NOTE 4)



NOTES:

1. MATERIAL: SEE TABLE
2. FINISHES: SEE TABLE
3. PRODUCT SPECIFICATION: NOT REQUIRED
4. IMPRINTING STYLE -10A (ONE SIDE)
IMPRINT TEXT TO BE .135" HEIGHT.
5. "XX" REFERS TO THE QUANTITY OF CIRCUITS.
6. ROHS COMPLIANT.

7	XX*2	SCREW #8-32X.312 PHLP STAINLESS (OPT -53-56)	STEEL	PASSIVATE
6	XX*2	SCREW #8-32X.312 SLOT STAINLESS (OPT -56)	STEEL	PASSIVATE
5	XX*2	SCREW #8-32X.312 PAN PHSLZN/BR/STEEL -50	STEEL	ZN, CLEAR CHROMATE
4	XX*2	SCREW #8-32X.312 BHD PHSLNI/BRASS -49	BRASS	NICKEL PLATE
3	XX*2	SCREW, #8-32 X .312, BHD, PHIL-SLOT	STEEL	ZN, CLEAR CHROMATE
2	XX	TERMINAL, EYELET, TWIN	BRASS	NICKEL PLATE
1	1	INSULATOR, AS CUT	PHENOLIC	BLACK
ITEM	QTY.	DESCRIPTION	MATERIAL	FINISH

UPDATE DIMENSION	EC NO: WNA2009-0148
DESCRIPTION	DRWN: JENC INAS 2008/09/01
	CHKD: CYORK 2008/09/09
	APPR: JIMAGNE II 2008/09/10

QUALITY SYMBOLS	▽=0
	▽=0

GENERAL TOLERANCES (UNLESS SPECIFIED)	mm	INCH
4 PLACES	± ---	± ---
3 PLACES	± ---	± .005
2 PLACES	± 0.13	± .01
1 PLACE	± 0.3	± ---
ANGULAR ± 2 °		
DRAFT WHERE APPLICABLE MUST REMAIN WITHIN DIMENSIONS		

DIMENSION STYLE	MM/IN
DRAWN BY	DATE
C. YORK	2004/11/22
CHECKED BY	DATE
G. ROBERTSON	2004/12/01
APPROVED BY	DATE
G. ROBERTSON	2004/12/01
MATERIAL NO.	
SEE CHART	

SCALE	1:1	DESIGN UNITS	INCH	THIRD ANGLE PROJECTION
TITLE				
14.29MM [.563] DOUBLE ROW PHENOLIC BTS ASSEMBLY				
molex MOLEX INCORPORATED				
DOCUMENT NO.				SHEET NO.
SD-38210-001				1 OF 2
THIS DRAWING CONTAINS INFORMATION THAT IS PROPRIETARY TO MOLEX INCORPORATED AND SHOULD NOT BE USED WITHOUT WRITTEN PERMISSION				

QTY. OF CIRC. "XX"	DIM. "A"	DIM. "B"	DIM. "C"	MATERIAL NO. (STANDARD)	MATERIAL NO. (-49 OPTION)	MATERIAL NO. (-50 OPTION)	MATERIAL NO. (-59 OPTION)	MATERIAL NO. (-49-59 OPTION)	MATERIAL NO. (-56 OPTION)	MATERIAL NO. (-53-56 OPTION)	MATERIAL NO. (-10A OPTION)	MATERIAL NO. (-10A-49 OPTION)	MATERIAL NO. (-10A-50 OPTION)
02	53.2 [2.09]	14.29 [.563]	42.8 [1.69]	382100102	382100202	382100302	382190067	382190247	382190191	382190063	382100502	---	---
03	67.5 [2.66]	28.58 [1.125]	57.1 [2.25]	382100103	382100203	382100303	382190069	382190248	382190057	382190195	382100503	---	---
04	81.7 [3.22]	42.86 [1.688]	71.4 [2.81]	382100104	382100204	382100304	382190080	382190083	382190081	---	382100504	---	---
05	96.0 [3.78]	57.15 [2.250]	85.7 [3.38]	382100105	382100205	382100305	382190090	382190092	382190132	---	382100505	---	---
06	110.3 [4.34]	71.44 [2.813]	100.0 [3.94]	382100106	382100206	382100306	382190109	382190110	382190221	---	382100506	382190155	382190156
07	124.6 [4.91]	85.73 [3.375]	114.3 [4.50]	382100107	382100207	382100307	382190200	382190130	382190203	382190129	382100507	---	---
08	138.9 [5.47]	100.01 [3.938]	128.5 [5.06]	382100108	382100208	382100308	382190011	---	382190010	---	382100508	---	---
09	153.2 [6.03]	114.30 [4.500]	142.8 [5.63]	382100109	382100209	382100309	---	---	382190192	---	382100509	---	---
10	167.5 [6.59]	128.59 [5.063]	157.1 [6.19]	382100110	382100210	382100310	382190202	382190020	382190022	---	382100510	---	---
11	181.8 [7.16]	142.88 [5.625]	171.4 [6.75]	382100111	382100211	382100311	382190047	---	382190255	---	382100511	---	---
12	196.0 [7.72]	157.16 [6.188]	185.7 [7.31]	382100112	382100212	382100312	382190030	---	382190056	---	382100512	---	---
13	210.3 [8.28]	171.45 [6.750]	200.0 [7.88]	382100113	382100213	382100313	---	---	---	---	382100513	---	---
14	224.6 [8.84]	185.74 [7.313]	214.3 [8.44]	382100114	382100214	382100314	---	---	---	382190032	382100514	---	---
15	238.9 [9.41]	200.03 [7.875]	228.6 [9.00]	382100115	382100215	382100315	---	---	---	---	382100515	---	---
16	253.2 [9.97]	214.31 [8.438]	242.8 [9.56]	382100116	382100216	382100316	---	---	382190254	---	382100516	---	---
17	267.5 [10.53]	228.60 [9.000]	257.1 [10.13]	382100117	382100217	382100317	---	---	---	---	382100517	---	---
18	281.8 [11.09]	242.89 [9.563]	271.4 [10.69]	382100118	382100218	382100318	---	---	382190198	---	382100518	---	---
19	296.1 [11.66]	257.18 [10.125]	285.7 [11.25]	382100119	382100219	382100319	---	---	---	---	382100519	---	---
20	310.3 [12.22]	271.46 [10.688]	300.0 [11.81]	382100120	382100220	382100320	---	---	---	---	382100520	---	---
21	324.6 [12.78]	285.75 [11.250]	314.3 [12.38]	382100121	382100221	382100321	---	---	---	---	382100521	---	---
22	338.9 [13.34]	300.04 [11.813]	328.6 [12.94]	382100122	382100222	382100322	---	---	---	---	382100522	---	---
23	353.2 [13.91]	314.33 [12.375]	342.9 [13.50]	382100123	382100223	382100323	---	---	---	---	382100523	---	---
24	367.5 [14.47]	328.61 [12.938]	357.1 [14.06]	382100124	382100224	382100324	---	---	---	---	382100524	---	---
25	381.8 [15.03]	342.90 [13.500]	371.4 [14.63]	382100125	382100225	382100325	---	---	---	---	382100525	---	---
26	396.1 [15.59]	357.19 [14.063]	385.7 [15.19]	382100126	382100226	382100326	---	---	---	---	382100526	---	---
27	410.4 [16.16]	371.48 [14.625]	400.0 [15.75]	382100127	382100227	382100327	---	---	---	---	382100527	---	---
28	424.7 [16.72]	385.77 [15.188]	414.3 [16.31]	382100128	382100228	382100328	---	---	---	---	382100528	---	---
29	439.0 [17.28]	400.06 [15.750]	428.6 [16.87]	382100129	382100229	382100329	---	---	---	---	382100529	---	---
30	453.3 [17.85]	414.35 [16.313]	442.9 [17.44]	382100130	382100230	382100330	---	---	---	---	382100530	---	---

SEE SHEET 1 EC NO: WNA2009-0148 DRWN: JENC INAS 2008/09/01 CHKD: CYORK 2008/09/09 APPR: JMACNEIL 2008/09/10	QUALITY SYMBOLS ▽=0 ▽=0	GENERAL TOLERANCES (UNLESS SPECIFIED)		DIMENSION STYLE MM/IN		SCALE 1:1	DESIGN UNITS INCH	THIRD ANGLE PROJECTION		
		mm INCH 4 PLACES ± --- ± --- 3 PLACES ± --- ± .005 2 PLACES ± 0.13 ± .01 1 PLACE ± 0.3 ± ---		DRAWN BY DATE C. YORK 2004/11/22		TITLE 14.29MM [.563] DOUBLE ROW PHENOLIC BTS ASSEMBLY		MOLEX INCORPORATED		
		ANGULAR ± 2°		CHECKED BY DATE G. ROBERTSON 2004/12/01		APPROVED BY DATE G. ROBERTSON 2004/12/01				
		DRAFT WHERE APPLICABLE MUST REMAIN WITHIN DIMENSIONS		SEE CHART		MATERIAL NO.		DOCUMENT NO. SD-38210-001		SHEET NO. 2 OF 2
THIS DRAWING CONTAINS INFORMATION THAT IS PROPRIETARY TO MOLEX INCORPORATED AND SHOULD NOT BE USED WITHOUT WRITTEN PERMISSION										