

Distributed by:

JAMECO[®]
ELECTRONICS

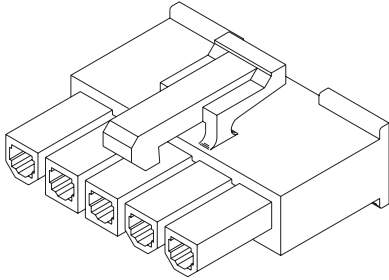
www.Jameco.com ♦ 1-800-831-4242

The content and copyrights of the attached
material are the property of its owner.

Jameco Part Number 1968574

4.20mm (.165") Pitch Mini-Fit Jr.™ Receptacle

5557
Single Row



| Circuits | Order No. | |
|----------|----------------------------|----------------------------|
| | 94V-2 | 94V-0 |
| 3* | 39-01-4030 | 39-01-4031 |
| 4 | 39-01-4040 | 39-01-4041 |
| 5 | 39-01-4050 | 39-01-4051 |

*3-circuit receptacle designed for first-mate/last-break applications

Features and Benefits

- Low profile design to accommodate height constraints
- Fully isolated terminals to protect contacts from damage
- For wire-to-wire or wire-to-board applications

Reference Information

Packaging: Bag
 UL File No.: E29179
 CSA File No.: LR19980
 TUV License No.: R75142
 Mates With: 5559, 5566 and 5569 single row connectors
 Use With: 5556, 46083 or 45750 terminals
 Designed In: Millimeters

Mechanical

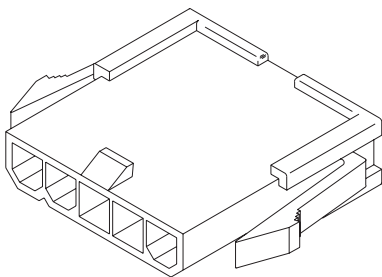
Contact Insertion Force: 1.5kg max.
 Contact Retention to Housing: 3.0kg min.

Physical

Housing: 6/6 nylon, UL 94V-2 or 94V-0
 Operating Temperature: -40 to +105°C

4.20mm (.165") Pitch Mini-Fit Jr.™ Plug

5559
Single Row, with and
Without Panel Mount Ears



Features and Benefits

- Wire-to-wire plug for panel-mounted or free-hanging applications
- Available with and without panel mounting ears
- Positive housing locks to mate with Mini-Fit Jr. receptacle
- Fully isolated terminals to protect contacts from damage

Reference Information

Packaging: Bag
 UL File No.: E29179
 CSA File No.: LR19980
 TUV License No.: R75142
 Mates With: 5557 single row receptacle
 Use With: 5558, 30490, 46134 or 46012 terminals
 Panel Thickness: .079 to 2.00mm (.031 to 0.80")
 Designed In: Millimeters

Mechanical

Contact Insertion Force: 1.5kg max.
 Contact Retention to Housing: 3.0kg min.

Physical

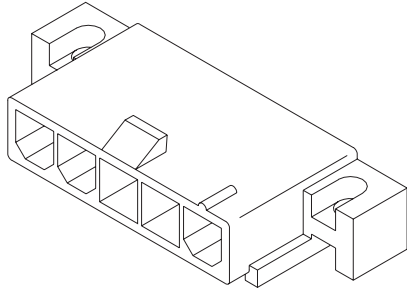
Housing: 6/6 nylon, UL 94V-2 or 94V-0
 Operating Temperature: -40 to +105°C

| Circuits | Order No. | | | |
|----------|----------------------------|----------------------------|----------------------------|----------------------------|
| | Panel Mount | | Free Hanging | |
| | 94V-2 | 94V-0 | 94V-2 | 94V-0 |
| 3* | 39-01-4032 | 39-01-4033 | 39-01-4036 | 39-01-4037 |
| 4 | 39-01-4042 | 39-01-4043 | 39-01-4046 | 39-01-4047 |
| 5 | 39-01-4052 | 39-01-4053 | 39-01-4056 | 39-01-4057 |

*3-circuit plug designed for first-mate/last-break applications

4.20mm (.165") Pitch Mini-Fit Jr.™ Header

5569 Right Angle, Single Row With Flanges



Features and Benefits

- Flanges allow for screw-in retention to board-mounted headers
- Low profile is ideal for power applications with space constraints

Reference Information

Packaging: Tray or bag
 UL File No.: E29179
 CSA File No.: LR19980
 TUV License No.: R75142
 Mates With: 5557 single row receptacle
 PCB Thickness: 1.60mm (.062")
 Process: Wave solder
 Designed In: Millimeters

Electrical

Voltage: 600V
 Current: (Used with 16 AWG)

| Series | Circuits | | | |
|--------|----------|-------|-------|-------|
| | 2-3 | 4-6 | 7-10 | 12-24 |
| 46083 | 9.0A | 8.0A | 7.0A | 6.0A |
| 45750 | 12.0A | 12.0A | 12.0A | 11.0A |

Contact Resistance: 10 milliohms max.
 Dielectric Withstanding Voltage: 1500V AC
 Insulation Resistance: 1000 Megohms min.

Mechanical

Insertion Force to PCB: 5.0kg max.
 Durability: 30 cycles

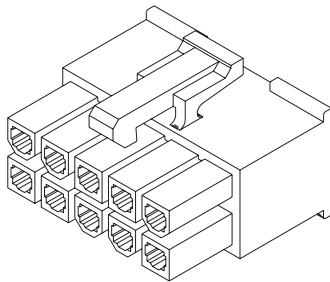
Physical

Housing: 6/6 nylon, UL 94V-2 or 94V-0
 Contact: Brass
 Plating: Tin or Select Gold
 Underplating: Nickel
 Operating Temperature: -40 to +105°C

| Circuits | Order No. | | | | Lead-free |
|----------|----------------------------|----------------------------|----------------------------|----------------------------|-----------|
| | Tin Plated | | Select Gold Plated | | |
| | 94V-2 | 94V-0 | 94V-2 | 94V-0 | |
| 3 | 39-30-6039 | 39-30-7030 | 39-30-4037 | 39-30-4038 | Yes |
| 4 | 39-30-6049 | | 50-30-4443 | | |

4.20mm (.165") Pitch Mini-Fit Jr.™ Receptacle

5557 Dual Row



Features and Benefits

- Positive housing lock for secure mating retention
- Fully isolated terminals to protect contacts from damage
- Thumb latch for easy unmating

Reference Information

Packaging: Bag
 UL File No.: E29179
 CSA File No.: LR19980
 TUV License No.: R75142
 Mates With: 5559, 5566, 5569, 42404, 42440, 42475, 43810, 43879 and 44068 dual row connectors
 Use With: 5556, 46083 or 45750 terminals
 Designed In: Millimeters

Electrical

Current: (Used with 16 AWG)

| Series | Circuits | | | |
|--------|----------|-------|-------|-------|
| | 2-3 | 4-6 | 7-10 | 12-24 |
| 46083 | 9.0A | 8.0A | 7.0A | 6.0A |
| 45750 | 12.0A | 12.0A | 12.0A | 11.0A |

Mechanical

Contact Insertion Force: 1.5kg max.
 Contact Retention to Housing: 3.0kg min.

Physical

Housing: 6/6 nylon, UL 94V-2 or 94V-0
 Operating Temperature: -40 to +105°C

| Circuits | Order No. | | Circuits | Order No. | |
|----------|----------------------------|----------------------------|----------|----------------------------|----------------------------|
| | 94V-2 | 94V-0 | | 94V-2 | 94V-0 |
| 2 | 39-01-2020 | 39-01-2025 | 14 | 39-01-2140 | 39-01-2145 |
| 4 | 39-01-2040 | 39-01-2045 | 16 | 39-01-2160 | 39-01-2165 |
| 6 | 39-01-2060 | 39-01-2065 | 18 | 39-01-2180 | 39-01-2185 |
| 8 | 39-01-2080 | 39-01-2085 | 20 | 39-01-2200 | 39-01-2205 |
| 10 | 39-01-2100 | 39-01-2105 | 22 | 39-01-2220 | 39-01-2225 |
| 12 | 39-01-2120 | 39-01-2125 | 24 | 39-01-2240 | 39-01-2245 |



PRODUCT SPECIFICATION



LANGUAGE

JAPANESE
ENGLISH

【 1. 適用範囲 SCOPE 】

本仕様書は、_____ 殿 に納入する。

4. 2mm ピッチ プリント基板用 コネクタ _____ について規定する。

This specification covers the NEW MINI. FIT CONNECTOR series

【 2. 製品名称及び型番 PRODUCT NAME AND PART NUMBER 】

| 製品名称 Product Name | | 製品型番 Part Number |
|---|-----------------|---------------------|
| ターミナル (AWG #18~#24) Terminal (AWG #18~#24) | 無鉛 LEAD FREE | 5556GS7F |
| | | 5556GSL7F |
| ターミナル (AWG#22~#28) Terminal (AWG#22~#28) | 無鉛 LEAD FREE | 5556GS27F |
| | | 5556GS2L7F |
| ハウジング (UL 94V-2) Housing (UL 94V-2) | 無鉛 LEAD FREE | 5557-NR |
| ハウジング (UL 94V-0) Housing (UL 94V-0) | 無鉛 LEAD FREE | 5557-NR-210 |
| ヘッダー アセンブリ (UL 94V-2) Header Assembly (UL 94V-2) | 無鉛 LEAD FREE | 5569-NAG1 |
| ヘッダー アセンブリ (UL 94V-0) Header Assembly (UL 94V-0) | 無鉛 LEAD FREE | 5569-NAG1-210 |

N : 図面参照 Refer to the drawing.

| | | | | | | | | | | | | | | | | |
|---------------------------------------|--|---|---|---|---|---|-------------|--------------|-----------------|------------|--|--|--|--|--|--|
| REV. | A | A | A | A | A | A | A | A | | | | | | | | |
| SHEET | 1 | 2 | 3 | 4 | 5 | 6 | 7 | 8 | | | | | | | | |
| REVISE ON PC ONLY | | | | | | TITLE: | | | | | | | | | | |
| A | 新規作成 RELEASED J2004-4752 '04/06/17 J.SASAMORI | | | | | NEW MINI FIT CONN. -LEAD FREE- 製品仕様書 | | | | | | | | | | |
| | THIS DOCUMENT CONTAINS INFORMATION THAT IS PROPRIETARY TO MOLEX INC. AND SHOULD NOT BE USED WITHOUT WRITTEN PERMISSION | | | | | | | | | | | | | | | |
| REV. | DESCRIPTION | | | | | WRITTEN BY: | CHECKED BY: | APPROVED BY: | DATE: YR/MO/DAY | | | | | | | |
| | DESIGN CONTROL J | | | | | STATUS | J.SASAMORI | K.TOJO | N.UKITA | 2004/06/17 | | | | | | |
| DOCUMENT NUMBER PS-5557-044 | | | | | | | | | FILE NAME | SHEET | | | | | | |
| | | | | | | | | | PS5557044.doc | 1 OF 8 | | | | | | |
| EN-37-1(019) | | | | | | | | | | | | | | | | |



PRODUCT SPECIFICATION



LANGUAGE
JAPANESE
ENGLISH

【 3. 定格及び適用電線 RATINGS AND APPLICABLE WIRES 】

| 項目 Item | 規格 Standard | | | | |
|--|---------------------|-----|-----|------|-------|
| 最大許容電圧 Rated Voltage (MAX.) | 600 V | | | | |
| 最大許容電流 及び適用電線 Rated Current (MAX.) and Applicable wires | 極数 | 2 | 4,6 | 8,10 | 12-24 |
| | AWG#18 | 9 A | 8 A | 7 A | 6 A |
| | AWG#20 | 7 A | 6 A | 5 A | 5 A |
| | AWG#22 | 5 A | 4 A | 4 A | 4 A |
| | AWG#24 | 4 A | 3 A | 3 A | 3 A |
| | AWG#26 | 3 A | 2 A | 2 A | 2 A |
| AWG#28 | 2 A | 1 A | 1 A | 1 A | |
| 使用温度範囲 Ambient Temperature Range | -40 °C ~ +105 °C *1 | | | | |

[AC (実効値 rms) / DC]
被覆外径 Insulation O.D. :
5556GS7F, GSL7F :
φ 1.3~3.1mm
5556GS27F, GS2L7F :
φ 0.9~1.8mm

*1: 通電による温度上昇分も含む。

Including terminal temperature rise.

【 4. 性能 PERFORMANCE 】

4-1. 電気的性能 Electrical Performance

| 項目 Item | 条件 Test Condition | 規格 Requirement |
|--|---|-------------------|
| 4-1-1 接触抵抗 Contact Resistance | コネクタを嵌合させ、開放電圧 20mV 以下、短絡電流 10mA にて測定する。 (JIS C5402 5.4) Mate connectors, measure by dry circuit, 20mV MAX. , 10mA. (JIS C5402 5.4) | 10 milliohm MAX. |
| 4-1-2 絶縁抵抗 Insulation Resistance | コネクタを嵌合させ、隣接するターミナル間及びターミナル、アース間に、DC 500V を印加し測定する。 (JIS C5402 5.2/MIL-STD-202 試験法 302) Mate connectors, apply 500V DC between adjacent terminal or ground. (JIS C5402 5.2/MIL-STD-202 Method 302) | 1000 Megohm MIN. |

| | | | |
|---------------------------------------|------------------|---|--|
| REVISE ON PC ONLY | | TITLE: | |
| A | SEE SHEET 1 OF 8 | NEW MINI FIT CONN. -LEAD FREE- 製品仕様書 | |
| | REV. | DESCRIPTION | THIS DOCUMENT CONTAINS INFORMATION THAT IS PROPRIETARY TO MOLEX INC. AND SHOULD NOT BE USED WITHOUT WRITTEN PERMISSION |
| DOCUMENT NUMBER PS-5557-044 | | FILE NAME PS5557044.doc | SHEET 2 OF 8 |



PRODUCT SPECIFICATION



LANGUAGE

JAPANESE
ENGLISH

| 項目 Item | 条件 Test Condition | 規格 Requirement |
|---|--|------------------------|
| 4-1-3 耐電圧 Dielectric Strength | コネクタを嵌合させ、隣接するターミナル間及びターミナル、アース間に、AC 1500V (実効値)を1分間 印加する。 (JIS C5402 5.1/MIL-STD-202 試験法 301) Mate connectors, apply 1500V AC(rms) for 1 minute between adjacent terminal or ground. (JIS C5402 5.1/MIL-STD-202 Method 301) | 異状なきこと No Breakdown |
| 4-1-4 圧着部接触抵抗 Contact Resistance on Crimped Portion | ターミナルに適合電線を圧着し、開放電圧 20mV 以下、短絡電流 10mA にて測定する。 Crimp the applicable wire on to the terminal, measure by dry circuit, 20mV MAX., 10mA. | 5 milliohm MAX. |

4-2. 機械的性能 Mechanical Performance

| 項目 Item | 条件 Test Condition | 規格 Requirement |
|--|--|-------------------------------|
| 4-2-1 挿入力及び抜去力 Insertion / Withdrawal Force | 毎分 25±3mm の速さで挿入、抜去を行なう。 Insert and withdraw connectors at the speed rate of 25±3mm/minute. | 第6項参照 Refer to paragraph 6 |
| 4-2-2 圧着部引張り強度 Crimping Pull Out Force | 圧着されたターミナルを治具に固定し、電線を軸方向に 毎分 25±3mm の速さで引張る。 (JIS C5402 6.8) Fix the crimped terminal, apply axial pull out force on the wire at the speed rate of 25±3mm/minute. (JIS C5402 6.8) | AWG.#18 88.3 N {9.0kgf} MIN. |
| | | AWG.#20 58.9 N {6.0kgf} MIN. |
| | | AWG.#22 39.3 N {4.0kgf} MIN. |
| | | AWG.#24 29.5 N {3.0kgf} MIN. |
| | | AWG.#26 19.7 N {2.0kgf} MIN. |
| | | AWG.#28 9.9 N {1.0kgf} MIN. |
| 4-2-3 ターミナル挿入力 Terminal Insertion Force | 圧着されたターミナルをハウジングに挿入する。 Insert the crimped terminal into the housing. | 14.7 N { 1.5 kgf } MAX. |

REVISE ON PC ONLY

TITLE:

A

SEE SHEET 1 OF 8

NEW MINI FIT CONN.

-LEAD FREE-

製品仕様書

REV.

DESCRIPTION

THIS DOCUMENT CONTAINS INFORMATION THAT IS PROPRIETARY TO MOLEX INC. AND SHOULD NOT BE USED WITHOUT WRITTEN PERMISSION

DOCUMENT NUMBER

PS-5557-044

FILE NAME

PS5557044.doc

SHEET

3 OF 8

EN-37-1(019)



PRODUCT SPECIFICATION



LANGUAGE

JAPANESE
ENGLISH

| 項目 Item | 条件 Test Condition | 規格 Requirement |
|--|---|-------------------------|
| 4-2-4 ターミナル保持力 Terminal / Housing Retention Force | 圧着されたターミナルをハウジングに装着し、電線を軸方向に 毎分 25±3mm の速さで引張る。 Apply axial pull out force at the speed rate of 25±3 mm/minute on the terminal assembled in the housing. | 29.5 N { 3.0 kgf } MIN. |
| 4-2-5 ピン保持力 Pin Retention Force | 毎分 25±3mm の速さでピンを軸方向に押す。 Apply axial push force at the speed rate of 25±3 mm/minute. | 9.9 N { 1.0 kgf } MIN. |

4-3. その他 Environmental Performance and Others

| 項目 Item | 条件 Test Condition | 規格 Requirement | |
|--|--|-------------------------------|---------------------|
| 4-3-1 繰り返し挿抜 Repeated Insertion / Withdrawal | 1分間 10回以下 の速さで挿入、抜去を 30回繰り返す。 When mated up to 30 cycles repeatedly by the rate of 10 cycles/minute. | 接触抵抗 Contact Resistance | 20 milliohm MAX. |
| 4-3-2 温度上昇 Temperature Rise | コネクタを嵌合させ、最大許容電流を通電し、コネクタの温度上昇分を測定する。 (UL 498) Carrying rated current load. (UL 498) | 温度上昇 Temperature Rise | 30°C MAX. |
| 4-3-3 耐振動性 Vibration | DC 1mA 通電状態にて、嵌合軸を含む互いに垂直な 3方向 に掃引割合 10~55~10Hz/分、全振幅 1.5mm の振動を 各2時間 加える。 (MIL-STD-202 試験法 201) Amplitude: 1.5 mm P-P Sweep time: 10-55-10 Hz in 1 minute Duration: 2 hours in each X.Y.Z. axes (MIL STD-202 Method 201) | 外 観 Appearance | 異常なきこと No Damage |
| | | 接触抵抗 Contact Resistance | 20 milliohm MAX. |
| | | 瞬断 Discontinuity | 1.0 microsec. MAX. |
| 4-3-4 耐衝撃性 Shock | DC 1mA 通電状態にて、嵌合軸を含む互いに垂直な 6方向 に、490m/s ² { 50G } の衝撃を 各3回 加える。 (JIS C0041/MIL-STD-202 試験法 213) 490m/s ² { 50G }, 3 strokes in each X.Y.Z. axes. (JIS C0041/MIL-STD-202 Method 213) | 外 観 Appearance | 異常なきこと No Damage |
| | | 接触抵抗 Contact Resistance | 20 milliohm MAX. |
| | | 瞬断 Discontinuity | 1.0 microsec. MAX. |

REVISE ON PC ONLY

TITLE:

A

SEE SHEET 1 OF 8

NEW MINI FIT CONN.

-LEAD FREE-

製品仕様書

REV.

DESCRIPTION

THIS DOCUMENT CONTAINS INFORMATION THAT IS PROPRIETARY TO MOLEX INC. AND SHOULD NOT BE USED WITHOUT WRITTEN PERMISSION

DOCUMENT NUMBER

PS-5557-044

FILE NAME

PS5557044.doc

SHEET

4 OF 8

EN-37-1(019)



PRODUCT SPECIFICATION



LANGUAGE

JAPANESE
ENGLISH

| 項 目 Item | | 条 件 Test Condition | 規 格 Requirement | |
|-------------|----------------------------------|---|----------------------------------|--------------------------------|
| 4-3-5 | 耐熱性 Heat Resistance | コネクタを嵌合させ、105±2°C の雰囲気中に 96時間 放置後取り出し、1~2時間 室温に放置する。 (JIS C0021/MIL-STD-202 試験法 108) 105±2°C, 96 hours (JIS C0021/MIL-STD-202 Method 108) | 外 観 Appearance | 異常なきこと No Damage |
| | | | 接触抵抗 Contact Resistance | 20 milliohm MAX. |
| 4-3-6 | 耐寒性 Cold Resistance | コネクタを嵌合させ、-40±3°C の雰囲気中に 96時間 放置後取り出し、1~2時間 室温に放置する。 (JIS C0020) -40±3°C, 96 hours (JIS C0020) | 外 観 Appearance | 異常なきこと No Damage |
| | | | 接触抵抗 Contact Resistance | 20 milliohm MAX. |
| 4-3-7 | 耐湿性 Humidity | コネクタを嵌合させ、60±2°C、相対湿度 90~95% の雰囲気中に 96時間 放置後取り出し、1~2時間 室温に放置する。 (JIS C0022/MIL-STD-202 試験法103) Temperature : 60±2°C Relative Humidity : 90 to 95% Duration : 96 hours (JIS C0022/MIL-STD-202 Method 103) | 外 観 Appearance | 異常なきこと No Damage |
| | | | 接触抵抗 Contact Resistance | 20 milliohm MAX. |
| | | | 耐 電 圧 Dielectric Strength | 4-1-3項 満足こと Must meet 4-1-3 |
| | | | 絶縁抵抗 Insulation Resistance | 100 Megohm MIN. |
| 4-3-8 | 温度サイクル Temperature Cycling | コネクタを嵌合させ、-55°C に 30分、+105°C に 30分、これを 1サイクル とし、5サイクル 繰り返す。但し、温度移行時間は、5分以内 とする。試験後 1~2時間 室温に放置する。(JIS C0025) 5 cycles of : a) -55°C 30 minutes b) +105°C 30 minutes (JIS C0025) | 外 観 Appearance | 異常なきこと No Damage |
| | | | 接触抵抗 Contact Resistance | 20 milliohm MAX. |

REVISE ON PC ONLY

TITLE:

A

SEE SHEET 1 OF 8

NEW MINI FIT CONN.

-LEAD FREE-

製品仕様書

REV.

DESCRIPTION

THIS DOCUMENT CONTAINS INFORMATION THAT IS PROPRIETARY TO MOLEX INC. AND SHOULD NOT BE USED WITHOUT WRITTEN PERMISSION

DOCUMENT NUMBER

PS-5557-044

FILE NAME

PS5557044.doc

SHEET

5 OF 8

EN-37-1(019)



PRODUCT SPECIFICATION



LANGUAGE

JAPANESE
ENGLISH

| 項 目 Item | | 条 件 Test Condition | 規 格 Requirement | |
|-------------|---------------------------------------|--|----------------------------|---|
| 4-3-9 | 塩水噴霧 Salt Spray | コネクタを嵌合させ、 $35\pm 2^{\circ}\text{C}$ にて、重量比 $5\pm 1\%$ の塩水を 48 ± 4 時間 噴霧し、試験後常温で水洗いした後、室温で乾燥させる。 (JIS C0023/MIL-STD-202 試験法 101) 48 ± 4 hours exposure to a salt spray from the $5\pm 1\%$ solution at $35\pm 2^{\circ}\text{C}$. (JIS C0023/MIL-STD-202 Method 101) | 外 観 Appearance | 異常なきこと No Damage |
| | | | 接触抵抗 Contact Resistance | 20 milliohm MAX. |
| 4-3-10 | 亜硫酸ガス SO ₂ Gas | コネクタを嵌合させ、 $40\pm 2^{\circ}\text{C}$ にて 50 ± 5 ppm の亜硫酸ガス中に 24時間 放置する。 24 hours exposure to 50 ± 5 ppm. SO ₂ gas at $40\pm 2^{\circ}\text{C}$. | 外 観 Appearance | 異常なきこと No Damage |
| | | | 接触抵抗 Contact Resistance | 20 milliohm MAX. |
| 4-3-11 | 半田付け性 Solder Ability | ターミナルまたはピンをフラックスに浸し、本体の取付け基準面より 1.2mm 迄、 $245\pm 3^{\circ}\text{C}$ の半田に 3 ± 0.5 秒 浸す。 Solder Time : 3 ± 0.5 seconds. Solder Temperature : $245\pm 3^{\circ}\text{C}$ | 濡 れ 性 Solder Wetting | 浸漬面積の75%以上 75% of immersed area must show no voids, pin holes. |
| 4-3-12 | 半田耐熱性 Resistance to Soldering Heat | ターミナルまたはピンを本体の取付け基準面より 1.2mm 迄、 $260\pm 5^{\circ}\text{C}$ の半田に 最大5秒 浸す。 Solder Time : 5 5sec. MAX . Solder Temperature : $260\pm 5^{\circ}\text{C}$ | 外 観 Appearance | 端子ガタ割れ等 異常なきこと No Damage |

():参考規格 Reference Standard

{ }:参考単位 Reference Unit

【 5. 外観形状、寸法及び材質 PRODUCT SHAPE, DIMENSIONS AND MATERIALS 】

図面参照 Refer to the drawing.

| | | | |
|---------------------------------------|------------------|--|-----------------|
| REVISE ON PC ONLY | | TITLE: | |
| A | SEE SHEET 1 OF 8 | NEW MINI FIT CONN. | |
| | | -LEAD FREE- 製品仕様書 | |
| REV. | DESCRIPTION | THIS DOCUMENT CONTAINS INFORMATION THAT IS PROPRIETARY TO MOLEX INC. AND SHOULD NOT BE USED WITHOUT WRITTEN PERMISSION | |
| DOCUMENT NUMBER PS-5557-044 | | FILE NAME PS5557044.doc | SHEET 6 OF 8 |

EN-37-1(019)



PRODUCT SPECIFICATION



LANGUAGE

JAPANESE
ENGLISH

【 6. 挿入力及び抜去力 INSERTION / WITHDRAWAL FORCE 】

| 極数 No. of CKT. | 単位 Unit | 挿入力 (最大値) Insertion Force (MAX.) | | | 抜去力 (最小値) Withdrawal Force (MIN.) | | |
|-------------------------|------------|-------------------------------------|-----------------|-----------------|--------------------------------------|---------------|---------------|
| | | 初回 1st | 6回目 6th | 30回目 30th | 初回 1st | 6回目 6th | 30回目 30th |
| 2 | N {kgf} | 28.4 {2.9} | 26.4 {2.7} | 26.4 {2.7} | 1.0 {0.10} | 0.8 {0.08} | 0.8 {0.08} |
| 4 | N {kgf} | 56.8 {5.8} | 52.9 {5.4} | 52.9 {5.4} | 2.0 {0.20} | 1.6 {0.16} | 1.6 {0.16} |
| 6 | N {kgf} | 85.3 {8.7} | 79.4 {8.1} | 79.4 {8.1} | 3.0 {0.30} | 2.4 {0.24} | 2.4 {0.24} |
| 8 | N {kgf} | 113.7 {11.6} | 105.9 {10.8} | 105.9 {10.8} | 4.0 {0.40} | 3.2 {0.32} | 3.2 {0.32} |
| 10 | N {kgf} | 142.2 {14.5} | 132.4 {13.5} | 132.4 {13.5} | 4.9 {0.50} | 4.0 {0.40} | 4.0 {0.40} |
| 12 | N {kgf} | 170.6 {17.4} | 158.9 {16.2} | 158.9 {16.2} | 5.9 {0.60} | 4.7 {0.48} | 4.7 {0.48} |
| 14 | N {kgf} | 199.1 {20.3} | 185.4 {18.9} | 185.4 {18.9} | 6.9 {0.70} | 5.5 {0.56} | 5.5 {0.56} |
| 16 | N {kgf} | 227.5 {23.2} | 211.8 {21.6} | 211.8 {21.6} | 7.9 {0.80} | 6.3 {0.64} | 6.3 {0.64} |
| 18 | N {kgf} | 256.0 {26.1} | 238.3 {24.3} | 238.3 {24.3} | 8.9 {0.90} | 7.1 {0.72} | 7.1 {0.72} |
| 20 | N {kgf} | 284.4 {29.0} | 264.8 {27.0} | 264.8 {27.0} | 9.9 {1.00} | 7.9 {0.80} | 7.9 {0.80} |
| 22 | N {kgf} | 312.9 {31.9} | 291.3 {29.7} | 291.3 {29.7} | 10.8 {1.10} | 8.7 {0.88} | 8.7 {0.88} |
| 24 | N {kgf} | 341.3 {34.8} | 317.8 {32.4} | 317.8 {32.4} | 11.8 {1.20} | 9.5 {0.96} | 9.5 {0.96} |

| | | | |
|---------------------------------------|------------------|--|-----------------|
| REVISE ON PC ONLY | | TITLE: | |
| A | SEE SHEET 1 OF 8 | NEW MINI FIT CONN. | |
| | | -LEAD FREE- 製品仕様書 | |
| REV. | DESCRIPTION | THIS DOCUMENT CONTAINS INFORMATION THAT IS PROPRIETARY TO MOLEX INC. AND SHOULD NOT BE USED WITHOUT WRITTEN PERMISSION | |
| DOCUMENT NUMBER PS-5557-044 | | FILE NAME PS5557044.doc | SHEET 7 OF 8 |



PRODUCT SPECIFICATION

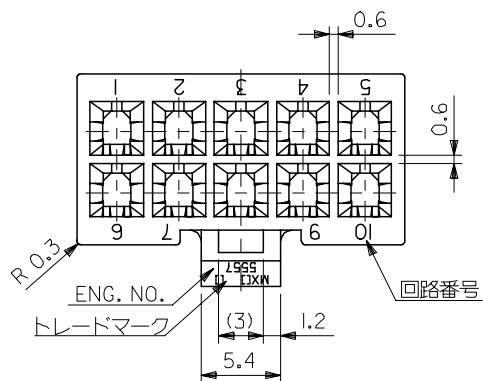


LANGUAGE

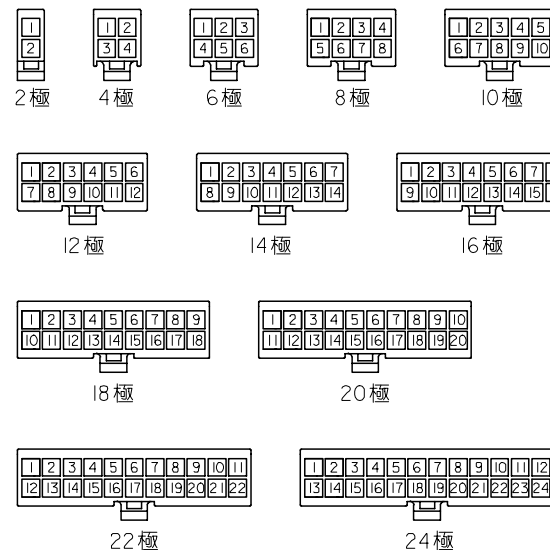
JAPANESE
ENGLISH

| REV. | REV. RECORD | DATE | EC NO. | WRITTEN BY : | CHECKED BY : |
|------|-------------|-----------|------------|--------------|--------------|
| A | RELEASED | '04/06/17 | J2004-4752 | J.SASAMORI | K.TOJO |
| | | | | | |
| | | | | | |
| | | | | | |
| | | | | | |
| | | | | | |
| | | | | | |
| | | | | | |
| | | | | | |
| | | | | | |
| | | | | | |
| | | | | | |
| | | | | | |
| | | | | | |
| | | | | | |
| | | | | | |
| | | | | | |
| | | | | | |
| | | | | | |
| | | | | | |
| | | | | | |

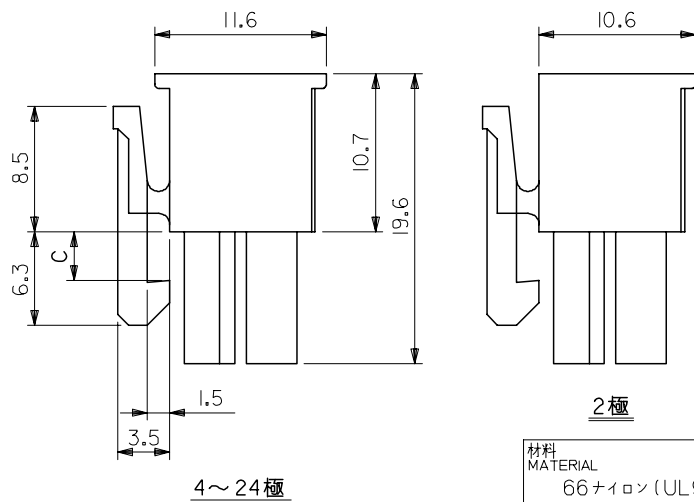
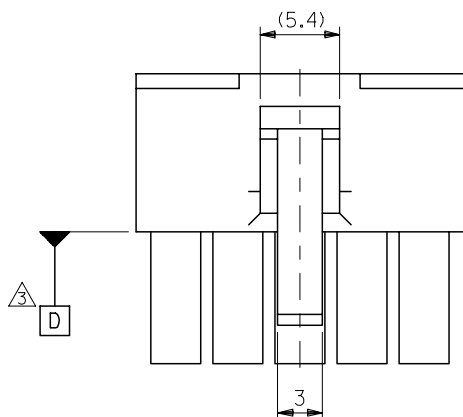
| | | | |
|---------------------------------------|--|----------------------------|--|
| | REVISE ON PC ONLY | | TITLE: NEW MINI FIT CONN. -LEAD FREE- 製品仕様書 |
| | A | SEE SHEET 1 OF 8 | |
| | THIS DOCUMENT CONTAINS INFORMATION THAT IS PROPRIETARY TO MOLEX INC. AND SHOULD NOT BE USED WITHOUT WRITTEN PERMISSION | | |
| REV. | DESCRIPTION | | |
| DOCUMENT NUMBER PS-5557-044 | | FILE NAME PS5557044.doc | SHEET 8 OF 8 |



注記
 1. 適用ターミナル：5556 シリーズ
 2. 嵌合相手：5559 シリーズ
 5566 シリーズ
 5569 シリーズ
 501566 シリーズ
 △ D 面の位置にて維持すること。

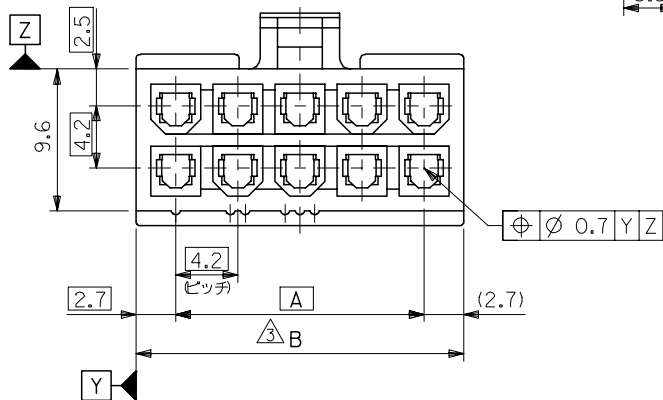


回路レイアウト図
 (SCALE 1:1)



| | | |
|----------------------|------------------|--|
| 材料 MATERIAL | 66ナイロン (UL94V-2) | |
| 仕上げ FINISH | — | |
| 適用電線範囲 WIRE RANGE | — | |
| 被覆外径 INS. RANGE | — | |

| C | B | A | EDP. NO. | ENG. NO. | 極数 |
|-----|------|------|------------|----------|----|
| 3.6 | 51.6 | 46.2 | 39-01-2240 | 5557-24R | 24 |
| | 47.4 | 42 | -2220 | -22R | 22 |
| | 43.2 | 37.8 | -2200 | -20R | 20 |
| 3.3 | 39 | 33.6 | -2180 | -18R | 18 |
| | 34.8 | 29.4 | -2160 | -16R | 16 |
| | 30.6 | 25.2 | -2140 | -14R | 14 |
| | 26.4 | 21 | -2120 | -12R | 12 |
| | 22.2 | 16.8 | -2100 | -10R | 10 |
| | 18 | 12.6 | -2080 | -08R | 8 |
| | 13.8 | 8.4 | -2060 | -06R | 6 |
| | 9.6 | 4.2 | -2040 | -04R | 4 |
| | 5.4 | — | 39-01-2020 | 5557-02R | 2 |



| | | | | | | |
|--|-------------|--|---|--|-----------------------------|---------------------------|
| REVISED EC NO: J2005-3799 DRWN: NABE CHKD: TOYODA APPR: NUKITA | DESCRIPTION | GENERAL TOLERANCES (UNLESS SPECIFIED) | DIMENSION STYLE MM ONLY | SCALE --- | DESIGN UNITS METRIC | THIRD ANGLE PROJECTION |
| | REV | 10 UNDER ±0.2 | DRAWN BY DATE S. MOCHIZUKI '90/02/22 | TITLE NEW MINI FIT CONN REC. HOUSING | MOLEX INCORPORATED | |
| | J | 10 OVER 30 UNDER ±0.3 | CHECKED BY DATE M. FUKUSHIMA '97/01/08 | APPROVED BY DATE M. FUKUSHIMA '97/01/08 | | |
| | | 30 OVER ±0.4 | ANGULAR ±3 ° | MATERIAL NO. SEE CHART | DOCUMENT NO. SD-5557-003 | SHEET NO. 1 OF 2 |

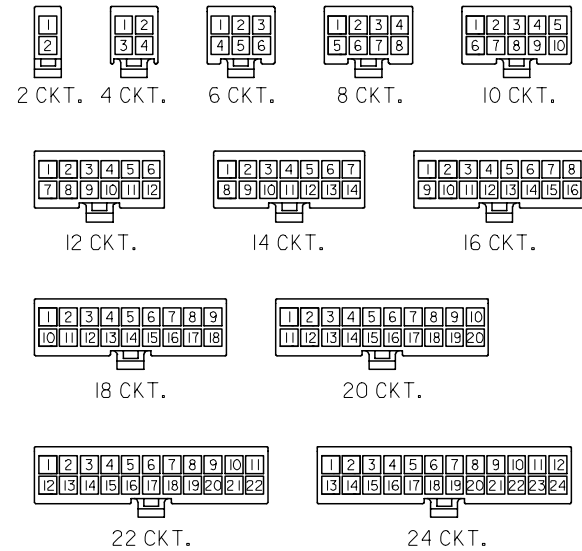
DRAFT WHERE APPLICABLE
MUST REMAIN
WITHIN DIMENSIONS

THIS DRAWING CONTAINS INFORMATION THAT IS PROPRIETARY TO MOLEX
INCORPORATED AND SHOULD NOT BE USED WITHOUT WRITTEN PERMISSION

10 9 8 7 6 5 4 3 2 1

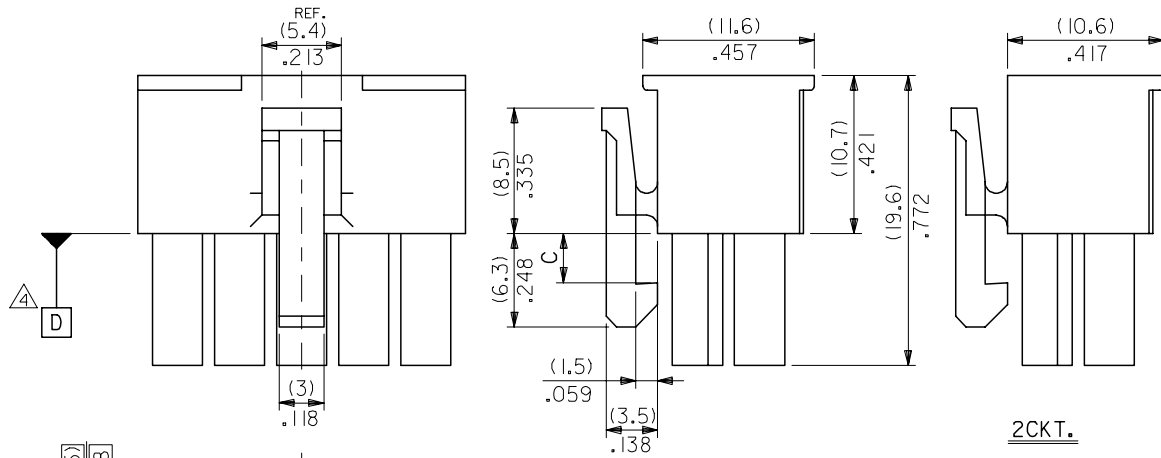
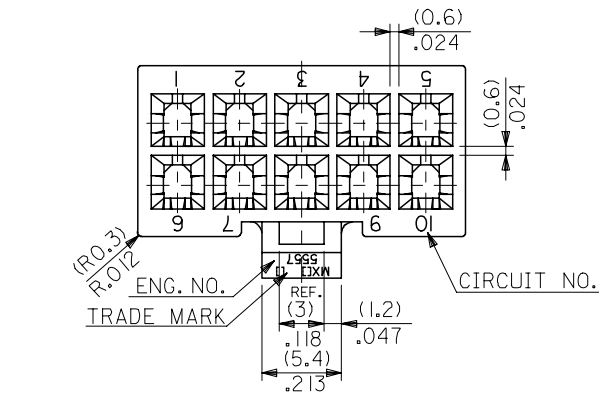
NOTES

1. TERMINAL : 5556 SERIES
2. MATE WITH : 5559 SERIES
5566 SERIES
5569 SERIES
501566 SERIES
3. (METRIC) VALUES SHOWN GOVERN OVER ENGLISH CONVERSION VALUES.
A TO BE MEASURED AT POSITION OF D SURFACE.



CIRCUIT SIZE LAYOUT
(SCALE 1:1)

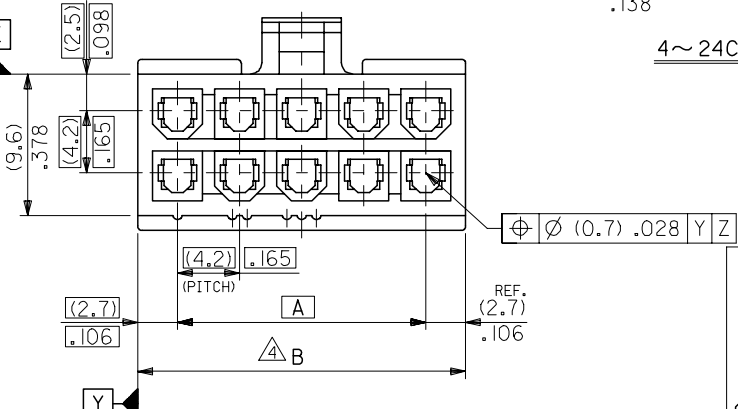
| | | | | | |
|---------------|--------------|--------------|------------|----------|--------------|
| (3.6) .142 | (51.6) 2.031 | (46.2) 1.819 | 39-01-2240 | 5557-24R | 24 |
| | (47.4) 1.866 | (42) 1.654 | ↑ -2220 | ↑ -22R | 22 |
| (3.3) .129 | (43.2) 1.701 | (37.8) 1.488 | -2200 | -20R | 20 |
| | (39) 1.535 | (33.6) 1.323 | -2180 | -18R | 18 |
| | (34.8) 1.37 | (29.4) 1.158 | -2160 | -16R | 16 |
| | (30.6) 1.205 | (25.2) .992 | -2140 | -14R | 14 |
| | (26.4) 1.039 | (21) .827 | -2120 | -12R | 12 |
| | (22.2) .874 | (16.8) .661 | -2100 | -10R | 10 |
| | (18) .709 | (12.6) .496 | -2080 | -08R | 8 |
| | (13.8) .543 | (8.4) .331 | -2060 | -06R | 6 |
| | (9.6) .378 | (4.2) .165 | ↓ -2040 | ↓ -04R | 4 |
| | (5.4) .213 | — | 39-01-2020 | 5557-02R | 2 |
| C | B | A | EDP. NO. | ENG. NO. | NO. OF CKTS. |



2CKT.

4~24CKT.

| | |
|----------------------|-------------------|
| 材料 MATERIAL | 66NYLON (UL94V-2) |
| 仕上り FINISH | — |
| 適用電線範囲 WIRE RANGE | — |
| 被覆外径 NS. RANGE | — |



| | | | | | | | | | |
|--|------------------|------------|-----------------------------|-------------|---------------------------------------|--|--------------|------------------------|------------------------|
| REVISED EC NO: J2005-3799 DRW: NABEI CHK: KATOYODA APP: NUKITA | 2005/06/20 | 2005/06/21 | 2005/06/27 | DESCRIPTION | GENERAL TOLERANCES (UNLESS SPECIFIED) | DIMENSION STYLE MM ONLY | SCALE 3:1 | DESIGN UNITS METRIC | THIRD ANGLE PROJECTION |
| | 10 UNDER | ±0.2 | DRAWN BY S. MOCHIZUKI | | DATE '90/02/22 | TITLE NEW MINI FIT CONN REC. HOUSING | | | |
| | 10 OVER 30 UNDER | ±0.3 | CHECKED BY M. FUKUSHIMA | | DATE '97/01/08 | MATERIAL NO. SEE CHART | | | |
| | 30 OVER | ±0.4 | APPROVED BY M. FUKUSHIMA | | DATE '97/01/08 | DOCUMENT NO. SD-5557-003 | | | |
| | ANGULAR | ±3 ° | MOLEX INCORPORATED | | | | | | |
| DRAFT WHERE APPLICABLE MUST REMAIN WITHIN DIMENSIONS | | | | | SIZE A3 | THIS DRAWING CONTAINS INFORMATION THAT IS PROPRIETARY TO MOLEX INCORPORATED AND SHOULD NOT BE USED WITHOUT WRITTEN PERMISSION | | | |
| REV J | | | | | SHEET NO. 2 OF 2 | | | | |