

Distributed by:

JAMECO[®]
ELECTRONICS

www.Jameco.com ♦ 1-800-831-4242

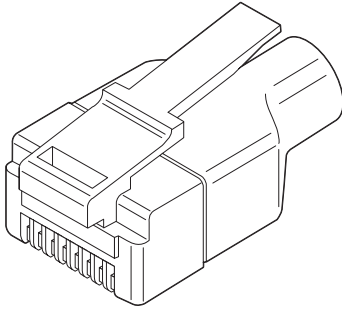
The content and copyrights of the attached
material are the property of its owner.

Jameco Part Number 1971044

Modular Plug

95043

8 Position, Shielded



Features and Benefits

- Eight-way RJ-45 fully shielded plug
- One-piece dual-function shield for optimal strain relief (hex crimp) and 360° shielding
- Selectively Gold-plated contact
- Terminates with 5.40 or 6.00mm LAN, STP or ISDN recommended round cables
- Rubber boot for ideal grip, color coded for line tracing and different network types
- Meets CAT 5 to EIA/TIA 568 B requirements (100 Mbits/s)

Reference Information

Product Specification: PS-95043-F
 Packaging: Bag
 UL File No.: E107635
 CSA File No.: LR19980-478
 Mates With: WE Co. and FCC 68 jacks

Electrical

Voltage: 125V
 Current: 1.5A
 Contact Resistance: 20 milliohms max.
 Dielectric Withstanding Voltage: 1000V rms
 Insulation Resistance: 500 Megohms min.

Mechanical

Cable to Plug Tensile Strength: 10kg (21 lb) min.

Physical

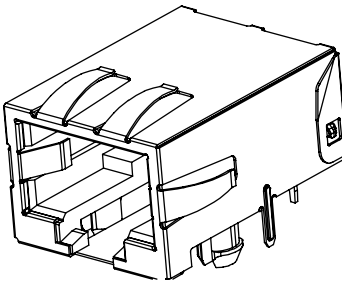
Housing: Natural polycarbonate, UL 94V-2
 Contact: Phosphor Bronze
 Plating: 1.27µm (50µ") Gold in contact area and Tin in pierce area, both over Nickel
 Operating Temperature: -40 to +60°C

Circuits	Order No.		Loaded Contacts	Boot Color	Lead-free
	For 5.40mm Cable	For 6.00mm Cable			
8	95043-2891	95043-5891	8	Black	Yes
	95043-2892	95043-5892	8	Beige/Gray	
	95043-2893	95043-5893	8	Green	
	95043-2894	95043-5894	8	Red	
	95043-2895	95043-5895	8	Yellow	
	95043-2896	95043-5896	8	Blue	
	95043-2881	95043-5881	8	Without boot	

Modular Jack

44661

High Speed, Right Angle Ultra Low Profile Shielded and Unshielded Versions



Features and Benefits

- Under 10.00mm (.394") in height
- Exceeds Category 5 performance
- Gigabit Ethernet compatible
- Enclosed top
- Shield with various ground options
- Industry standard footprint
- 100% tested for hi-pot and continuity

Reference Information

Product Specification: PS-44560-003
 Packaging: Tray
 UL File No.: E107635
 CSA File No.: LR19980
 Mates With: FCC 68 Plugs
 Designed In: Inches

Electrical

Voltage: 125V
 Current: 1.5A
 Contact Resistance: 25 milliohms max.
 Dielectric Withstanding Voltage: 1000V AC
 Insulation Resistance: 500 Megohms min.

Mechanical

Durability: 750 cycles min.

Physical

Housing: Black glass-filled nylon, UL 94V-0
 Contact: Phosphor Bronze
 Plating: Contact Area—1.27µm (50µ") min. Gold
 Solder Tails—2.54µm (100µ") min. Tin
 Nickel Overall
 Operating Temperature: -40 to +85°C

Circuits	Loaded Contacts	Shield Option	Order No.		Lead-free
			Snap-Fit Pegs	Press-Fit Pegs	
8	8	No Shield	44661-0002	44661-1002	Yes
		Standard Shield	44661-0001	44661-1001	
		Enhanced Ground Tabs	44661-0011	44661-1011	
		Bezel Ground Tabs	44661-0021	44661-1021	



PRODUCT SPECIFICATION

CATEGORY 5 RIGHT ANGLE COMPACT MODULAR JACKS

1.0 SCOPE

This Product Specification covers the 1.27 mm (.050 inch) centerline (pitch) printed circuit board (PCB) modular jack connector series with selective gold and tin plating.

2.0 PRODUCT DESCRIPTION

2.1 PRODUCT NAME AND SERIES NUMBER(S)

Right Angle, Single Port Modular Jack	44661
Right Angle, Ganged Modular Jack	44560

DIMENSIONS, MATERIALS, PLATINGS AND MARKINGS

See the appropriate sales drawings (SD-44560-001, SD-44661-001) for information on dimensions, materials, plating and markings.

2.2 SAFETY AGENCY APPROVALS

UL File Number.....	E107635
CSA File Number.....	LR19980

3.0 APPLICABLE DOCUMENTS AND SPECIFICATIONS

FCC Rules and Regulations, Part 68, Subpart F
 REA Bulletin 345-81, PE-76; Specification for modular telephone set hardware
 ANSI/EIA/TIA-568
 IEC-60603-7
 UL 1863
 MIL-STD-202; General requirements for test specifications
 EIA 364-1000

4.0 RATINGS

4.1 VOLTAGE

56.5 V DC
 150 V_{RMS} AC (Ringing voltage only)

4.2 CURRENT

1.5 Amps @ 25°C

4.3 TEMPERATURE

Operating: - 40°C to + 85°C

REVISION: B2	ECR/ECN INFORMATION: EC No: UCP2006-2839 DATE: 7/7/2008	TITLE: PRODUCT SPECIFICATION CATEGORY 5e RIGHT ANGLE COMPACT MODULAR JACKS	SHEET No. 1 of 8
DOCUMENT NUMBER: PS-44560-003	CREATED / REVISED BY: GAVERILL	CHECKED BY: JBELL	APPROVED BY: FSMITH



PRODUCT SPECIFICATION

5.0 PERFORMANCE REQUIREMENTS

5.1 ELECTRICAL REQUIREMENTS

ITEM	DESCRIPTION	TEST CONDITION	REQUIREMENT	
1	Contact Resistance (Low Level)	Mate connectors: apply a maximum voltage of 20 mV and a current of 100 mA . (Measurement locations in Section 7.0, Figure 2)	25 milliohms MAXIMUM [initial]	
2	Insulation Resistance	Unmated connector, mounted to a PCB: apply a voltage of 100 VDC between adjacent terminals and between terminals to ground.	500 Megohms MINIMUM	
3	Dielectric Withstanding Voltage	Mate connectors: apply a voltage of 1000 VAC for 1 minute between adjacent terminals and 1500 VAC between terminals to ground.	No breakdown; current leakage < 1 mA	
4	Capacitance	Measure between adjacent terminals at frequency of 1 kHz .	10 picofarads MAXIMUM	
5	Current Rating	Initial current setting: 0.25 A Current increased by 0.25 A every 25 minutes until 30°C rise over ambient is achieved. (Connector de-rating curve is located in Section 8.0, Figure 3)	At 1.0 A , $T_{RISE} \leq 30^{\circ}C$	
6	DC Resistance	DC Resistance between the input and output connections of the connecting hardware.	0.3 Ohms MAXIMUM	
7	Attenuation	Measurement of signal power loss due to connection made on any pair within the connector under test. Worst result shall be within specification. (Reference Specification TIA/EIA 568A, Section 10.4.4.1)	Frequency (MHz)	Loss (dB)
			1	0.1
			4	0.1
			10	0.1
			16	0.2
			20	0.2
			31.25	0.2
			62.5	0.3
100	0.4			

REVISION: B2	ECR/ECN INFORMATION: EC No: UCP2006-2839 DATE: 7/7/2008	TITLE: PRODUCT SPECIFICATION CATEGORY 5e RIGHT ANGLE COMPACT MODULAR JACKS	SHEET No. 2 of 8
DOCUMENT NUMBER: PS-44560-003	CREATED / REVISED BY: GAVERILL	CHECKED BY: JBELL	APPROVED BY: FSMITH



PRODUCT SPECIFICATION

5.1 ELECTRICAL REQUIREMENTS (continued):

ITEM	DESCRIPTION	TEST CONDITION	REQUIREMENT	
			Frequency (MHz)	Loss (dB)
8	Near End Cross Talk (NEXT)	Jack under test shall be terminated with resistor of 100 ohms +/- 1% (see Section 7.0, Figure 1). Measurements are made in these 2-pair combinations: 1-2, 3-6, 4-5, 7-8. The worst case NEXT loss must be within specification. (Reference Specification TIA/EIA 568A, Section 6.1.1.2)	1	65.0
			4	65.0
			10	63.0
			16	58.9
			20	57.0
			25	55.0
			31.25	53.1
			62.5	47.1
			100	43.0
9	Return Loss	Jack under test shall be terminated with resistor of 100 ohms +/- 1% (see Section 7.0, Figure 1). A balanced input signal is applied to a connector pair while signals that are reflected back due to the impedance discontinuities are measured at the same port from which the signal is applied. A measurement shall be done for each pair (1-2, 3-6, 4-5, 7-8). (Reference Specification TIA/EIA 568A, Section 6.3.1)	Frequency (MHz)	Loss (dB)
			1	-30
			16	-30
			20	-30
			100	-20

REVISION: B2	ECR/ECN INFORMATION: EC No: UCP2006-2839 DATE: 7/7/2008	TITLE: PRODUCT SPECIFICATION CATEGORY 5e RIGHT ANGLE COMPACT MODULAR JACKS	SHEET No. 3 of 8
DOCUMENT NUMBER: PS-44560-003	CREATED / REVISED BY: GAVERRILL	CHECKED BY: JBELL	APPROVED BY: FSMITH



PRODUCT SPECIFICATION

5.2 MECHANICAL REQUIREMENTS

ITEM	DESCRIPTION	TEST CONDITION	REQUIREMENT
10	Insertion & Withdrawal Forces	Mate and unmate connector at a rate of 25 ± 6 mm (1 ± ¼ inch) per minute.	22 N (5 lbf) MAXIMUM insertion force 22 N (5 lbf) MAXIMUM withdrawal force
11	Durability	Mate connectors 750 cycles at a maximum rate of 10 cycles per minute.	15 milliohms MAXIMUM (change from initial) & Dielectric Withstanding Voltage: No Breakdown at 1000 VAC & Insulation Resistance: 500 Megohms MINIMUM
12	Durability (Preconditioning)	Mate connectors 50 cycles at a maximum rate of 10 cycles per minute.	15 milliohms MAXIMUM (change from initial)
13	Reseating	Mate connectors 3 cycles manually.	15 milliohms MAXIMUM (change from initial)
14	Vibration	Mate connectors and vibrate per MIL-STD-202 Method 204, Test Condition A Simple harmonic motion Sweep: 10 ≤ 500 ≤ 10 Hz in 15 minutes ±X, ±Y, ±Z axis (3 hours each axis)	15 milliohms MAXIMUM (change from initial) & Discontinuity < 1 microsecond
15	Shock (Mechanical)	Mate connectors and shock at 30 g's with half sine wave (11 millisecond) shocks in the ±X, ±Y, ±Z axis (30 shocks total)	15 milliohms MAXIMUM (change from initial) & Discontinuity < 1 microsecond
16	PCB Separation Forces	Apply a perpendicular static load on the plug at a rate of 25 ± 6 mm (1 ± ¼ inch) per second.	4.5 N (1 lbf) MINIMUM withdrawal force before solder reflow 67 N (15 lbf) MINIMUM withdrawal force after solder reflow
17	Effectiveness of Connector Coupling Device	Apply an axial pullout force on the plug of 50N (11lb) for 60 seconds at a rate of 10 lb/second maximum.	Discontinuity < 1 microsecond

REVISION: B2	ECR/ECN INFORMATION: EC No: UCP2006-2839 DATE: 7/7/2008	TITLE: PRODUCT SPECIFICATION CATEGORY 5e RIGHT ANGLE COMPACT MODULAR JACKS	SHEET No. 4 of 8
DOCUMENT NUMBER: PS-44560-003	CREATED / REVISED BY: GAVERILL	CHECKED BY: JBELL	APPROVED BY: FSMITH



PRODUCT SPECIFICATION

5.3 ENVIRONMENTAL REQUIREMENTS

ITEM	DESCRIPTION	TEST CONDITION	REQUIREMENT
18	Shock (Thermal)	Mate connectors; expose to 25 cycles of: -40°C to +70°C. 30 minutes dwell at each temperature	15 milliohms MAXIMUM (change from initial) & Dielectric Withstanding Voltage: No Breakdown at 1000 VAC & Insulation Resistance: 500 Megohms MINIMUM & Visual: No Damage
19	Humidity (Steady State)	Mate connectors; expose to temperature of 40±2°C with a relative humidity of 93% for 21 days. Note: Remove surface moisture & air dry for 1 hour prior to measurements.	15 milliohms MAXIMUM (change from initial) & Dielectric Withstanding Voltage: No Breakdown at 1000 VAC & Insulation Resistance: 500 Megohms MINIMUM & Visual: No Damage
20	Temperature Life	Mate connectors; expose to +105±2°C for 240 hours.	15 milliohms MAXIMUM (change from initial) & Visual: No Damage
21	Temperature Life (Preconditioning)	Mate connectors; expose to +105±2°C for 120 hours.	15 milliohms MAXIMUM (change from initial) & Visual: No Damage
22	Climatic Sequence	Test performed with mated connectors: A: Dry Heat 70°C for 16 hours B: Damp Heat (Cyclic) 95% Relative Humidity Increase from 25°C to 55°C (3 hours), dwell at 55°C (9 hours) and lower to 25°C until 24 hours is reached. C: Cold -40°C for 2 hours D: Damp Heat (Cyclic) Repeat step B	15 milliohms MAXIMUM (change from initial) & Dielectric Withstanding Voltage: No Breakdown at 1000 VAC & Insulation Resistance: 500 Megohms MINIMUM & Visual: No Damage

REVISION: B2	ECR/ECN INFORMATION: EC No: UCP2006-2839 DATE: 7/7/2008	TITLE: PRODUCT SPECIFICATION CATEGORY 5e RIGHT ANGLE COMPACT MODULAR JACKS	SHEET No. 5 of 8
DOCUMENT NUMBER: PS-44560-003	CREATED / REVISED BY: GAVERRILL	CHECKED BY: JBELL	APPROVED BY: FSMITH



PRODUCT SPECIFICATION

5.3 ENVIRONMENTAL REQUIREMENTS (continued):

ITEM	DESCRIPTION	TEST CONDITION	REQUIREMENT
23	Thermal Disturbance	Mate connectors; cycle between 15±3°C and 85±3°C 10 cycles at rate of 2°C/minute	15 milliohms MAXIMUM (change from initial) & Visual: No Damage
24	Solderability	Per SMES-152 Samples steam aged for 8 hours and dipped in flux for 6 seconds and then immersed in solder bath at 245°C for 5 seconds.	Solder coverage: 95% MINIMUM (per SMES-152)
25	InfraRed (IR) Soldering Resistance	Molex IR Profile	Dimensional: Conformance to Sales Drawing requirements & Visual: No Damage
26	Corrosive Environments: Flowing Mixed Gas (FMG)	Mate connectors; Test per EIA-364-65, Class IIA Exposure to gasses at 30°C , 70% Relative Humidity for 14 days	15 milliohms MAXIMUM (change from initial) & Visual: No Damage

6.0 PACKAGING

Parts shall be packaged to protect against damage during handling, transit and storage.
See appropriate sales drawings on Sheet 1 for packaging descriptions.

REVISION: B2	ECR/ECN INFORMATION: EC No: UCP2006-2839 DATE: 7/7/2008	TITLE: PRODUCT SPECIFICATION CATEGORY 5e RIGHT ANGLE COMPACT MODULAR JACKS	SHEET No. 6 of 8
DOCUMENT NUMBER: PS-44560-003	CREATED / REVISED BY: GAVERILL	CHECKED BY: JBELL	APPROVED BY: FSMITH



PRODUCT SPECIFICATION

7.0 GAGES AND FIXTURES

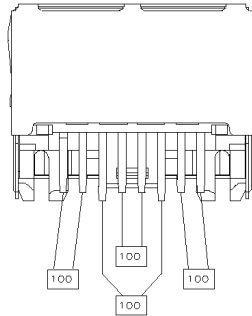


Figure 1
Termination of resistors for
Near End Cross Talk and Return Loss Measurements

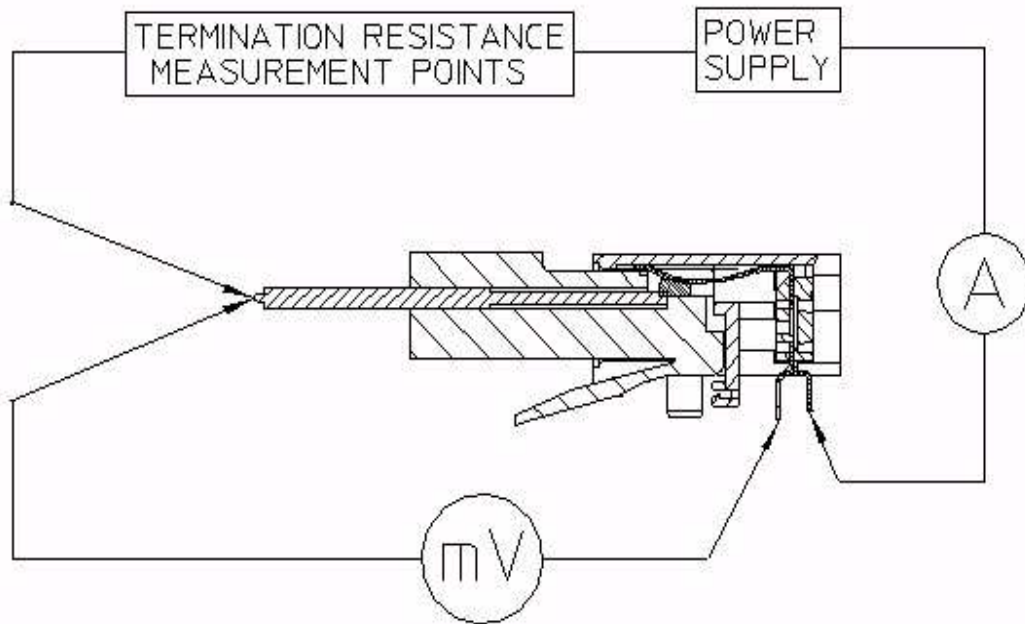


Figure 2
TERMINATION RESISTANCE MEASUREMENT POINTS
Connector and plug terminals and wire conductor bulk
resistance to be subtracted from measurements

REVISION: B2	ECR/ECN INFORMATION: EC No: UCP2006-2839 DATE: 7/7/2008	TITLE: PRODUCT SPECIFICATION CATEGORY 5e RIGHT ANGLE COMPACT MODULAR JACKS	SHEET No. 7 of 8
DOCUMENT NUMBER: PS-44560-003	CREATED / REVISED BY: GAVERILL	CHECKED BY: JBELL	APPROVED BY: FSMITH



PRODUCT SPECIFICATION

8.0 OTHER INFORMATION

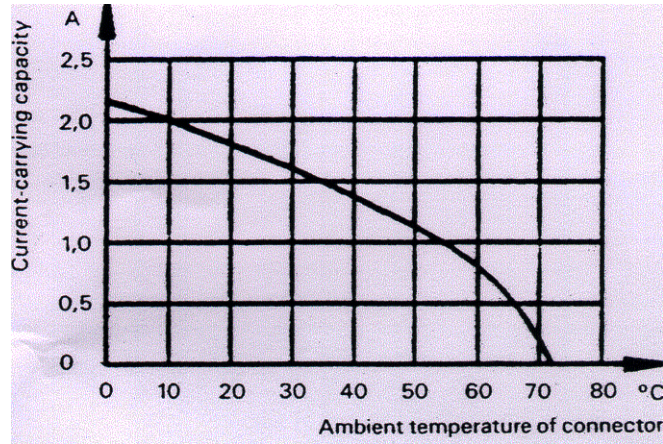
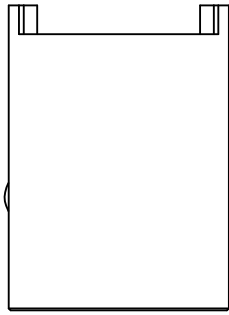
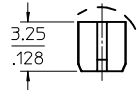
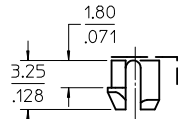
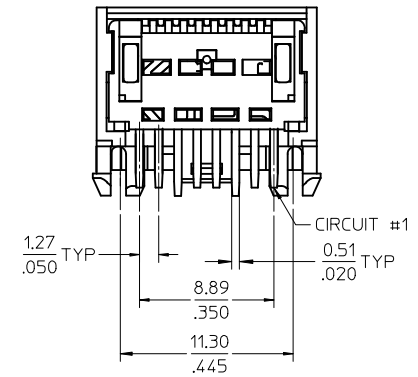
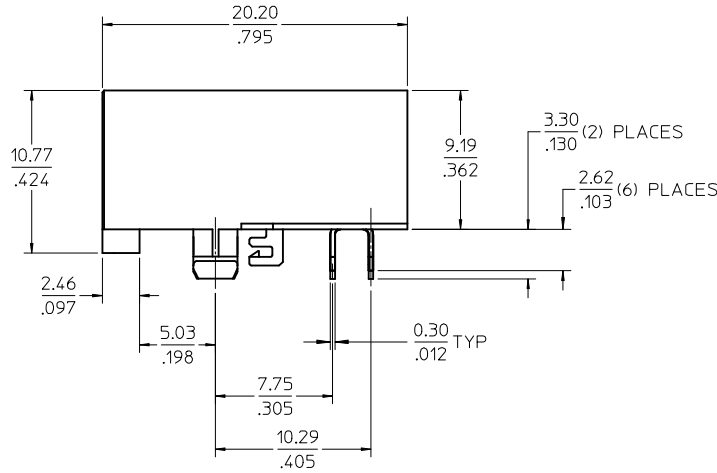
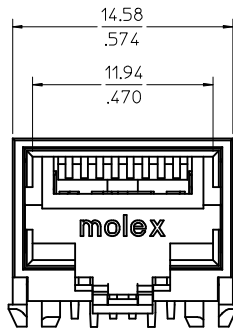
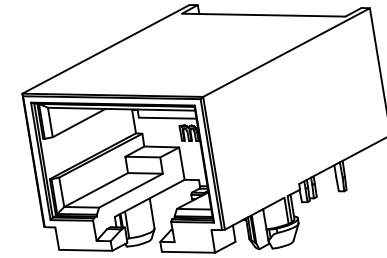


Figure 3
Connector De-Rating Curve

REVISION: B2	ECR/ECN INFORMATION: EC No: UCP2006-2839 DATE: 7/7/2008	TITLE: PRODUCT SPECIFICATION CATEGORY 5e RIGHT ANGLE COMPACT MODULAR JACKS	SHEET No. 8 of 8
DOCUMENT NUMBER: PS-44560-003	CREATED / REVISED BY: GAVERILL	CHECKED BY: JBELL	APPROVED BY: FSMITH



- NOTES:
 1) MATERIAL:
 HOUSING: NYLON(PA), GLASS FILLED, UL94V-0, COLOR: BLACK
 TERMINALS: PHOSPHOR BRONZE
 2) FINISH:
 TERMINALS:
 SELECT GOLD IN CONTACT AREA: 1.27 MICROMETERS / 50 MICROINCHES MIN.,
 *SELECT MATTE TIN IN PC TAIL AREA: 2.54 MICROMETERS / 100 MICROINCHES MIN.,
 WITH OVERALL NICKEL UNDERPLATE: 1.27 MICROMETERS / 50 MICROINCHES MIN.
 *THE PRIMARY SHIPPING CARTON WILL BE LABELED "COMPLIANT TO RoHS
 DIRECTIVE 2002/95/EC AND ELV ANNEX II OF DIRECTIVE 2000/53/EC".
 CARTONS WITHOUT THIS LABEL MAY CONTAIN PRODUCT WITH TIN-LEAD
 IN THE PC TAILS.
 3) PRODUCT SPECIFICATION AND PROCESSING PARAMETERS: PS-44560-003.
 4) PACKAGING SPECIFICATION:
 CONNECTOR PACKAGED IN TRAYS PER MOLEX PACKAGING SPECIFICATION
 PK-44661-004.
 5) CONFORMS TO FCC REGULATION PART 68.5 FOR MODULAR JACKS.
 6) SEE SHEET (4) OF (4) FOR RECOMMENDED PANEL OPENING AND PCB LAYOUT.
 7) ASSEMBLY AVAILABLE WITH EITHER SNAP-FIT OR PRESS-FIT PEGS. THIS
 DRAWING SHOWS SNAP-FIT PEGS.
 8) TERMINAL LENGTHS MAY BE DIFFERENT FROM TERMINAL TO TERMINAL.
 9) THIS PART CONFORMS TO CLASS B REQUIREMENTS OF COSMETIC
 SPECIFICATION PS-45499-002.



SNAP-FIT PEG

PRESS-FIT PEG

ASSEMBLY MATERIAL NUMBER	PEG STYLE
446610002	SNAP-FIT
446611002	PRESS-FIT

REV	DESCRIPTION	QUALITY SYMBOLS
G1	UPDATE NOTES EC NO: UCP2009-1236 DRWN: KLOSTEMEIER 2008/11/12 CHKD: JBELL 2008/11/13 APPR: FSMITH 2008/11/14	▽=0 ▽=0

GENERAL TOLERANCES (UNLESS SPECIFIED)	
mm	INCH
4 PLACES ± .005	± .0005
3 PLACES ± .002	± .0002
2 PLACES ± 0.30	± .012
1 PLACE ± .001	± .0001
ANGULAR ± 1/2°	

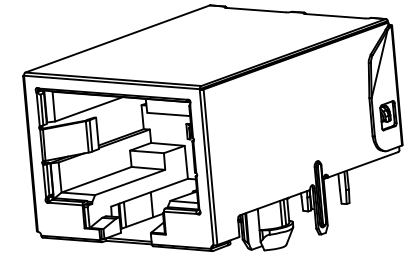
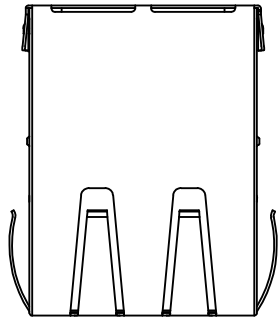
DRAFT WHERE APPLICABLE MUST REMAIN WITHIN DIMENSIONS

DIMENSION STYLE	
MM/IN	
DRAWN BY	DATE
MKAMAR	00/04/07
CHECKED BY	DATE
MKAMAR	00/04/07
APPROVED BY	DATE
JROBERTS	00/04/07
MATERIAL NO.	DOCUMENT NO.
SEE CHART	SD-44661-001

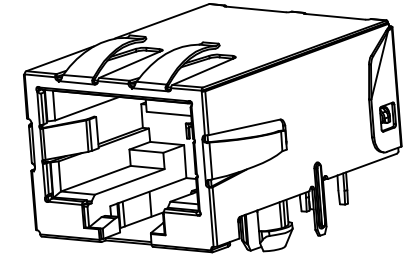
SCALE	DESIGN UNITS	THIRD ANGLE PROJECTION
4:1	INCH	
COMPACT SINGLE PORT CATEGORY 5 MODJACK		
MOLEX INCORPORATED		SHEET NO. 1 OF 4
THIS DRAWING CONTAINS INFORMATION THAT IS PROPRIETARY TO MOLEX INCORPORATED AND SHOULD NOT BE USED WITHOUT WRITTEN PERMISSION		

NOTES:

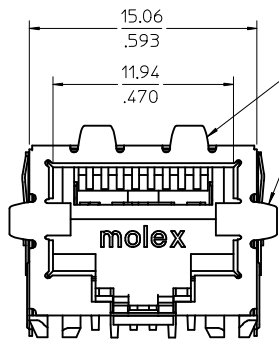
- 1) MATERIAL:
HOUSING: NYLON(PA), GLASS FILLED, UL94V-0, COLOR: BLACK
TERMINALS: PHOSPHOR BRONZE
SHIELD: BRASS, 0.18 / .007 THICK
- 2) FINISH:
TERMINALS:
SELECT GOLD IN CONTACT AREA: 127 MICROMETERS / 50 MICROINCHES MIN.
*SELECT MATTE TIN IN PC TAIL AREA: 2.54 MICROMETERS / 100 MICROINCHES MIN.,
WITH OVERALL NICKEL UNDERPLATE: 1.27 MICROMETERS / 50 MICROINCHES MIN.
SHIELD:
*2.54 MICROMETERS / 100 MICROINCHES NICKEL OVER 1.27 MICROMETERS /
50 MICROINCHES COPPER UNDERPLATE, PCB GROUND TABS DIPPED IN TIN
*THE PRIMARY SHIPPING CARTON WILL BE LABELED "COMPLIANT TO ROHS
DIRECTIVE 2002/95/EC AND ELV ANNEX II OF DIRECTIVE 2000/53/EC".
CARTONS WITHOUT THIS LABEL MAY CONTAIN PRODUCT WITH TIN-LEAD
IN THE PC TAILS AND/OR SHIELD.
- 3) PRODUCT SPECIFICATION AND PROCESSING PARAMETERS: PS-44560-003.
- 4) PACKAGING SPECIFICATION:
CONNECTOR PACKAGED IN TRAYS PER MOLEX PACKAGING
SPECIFICATION PK-44661-004.
- 5) CONFORMS TO FCC REGULATION PART 68.5 FOR MODULAR JACKS.
- 6) ENHANCED GROUND TABS SHIELD (OPTION -B-) IS SHOWN IN THIS DRAWING.
- 7) SEE SHEET (4) OF (4) FOR RECOMMENDED PANEL OPENING AND PCB LAYOUT.
- 8) ASSEMBLY AVAILABLE WITH EITHER SNAP-FIT OR PRESS-FIT PEGS. THIS
DRAWING SHOWS SNAP-FIT PEGS.
- 9) TERMINAL LENGTHS MAY BE DIFFERENT FROM TERMINAL TO TERMINAL.
- 10) THIS PART CONFORMS TO CLASS B REQUIREMENTS OF COSMETIC
SPECIFICATION PS-45499-002.



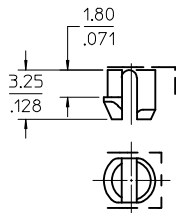
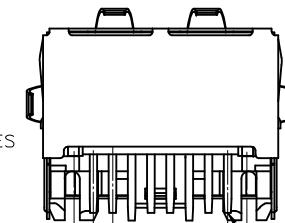
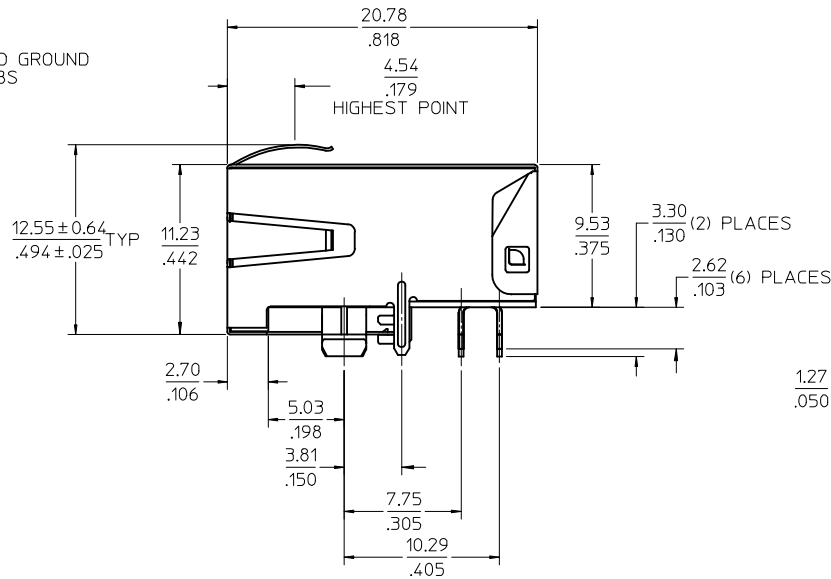
SHIELDING OPTION -A-
STANDARD SHIELD



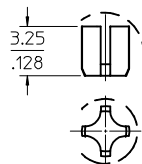
SHIELDING OPTION -B-
ENHANCED GROUND TABS



ENHANCED GROUND
TABS



SNAP-FIT PEG



PRESS-FIT PEG

ASSEMBLY MATERIAL NUMBER	PEG STYLE	SHIELDING OPTION
446610001	SNAP-FIT	A
446610011	SNAP-FIT	B
446611001	PRESS-FIT	A
446611011	PRESS-FIT	B

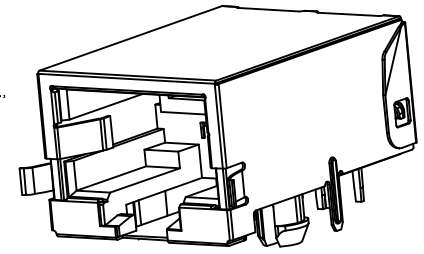
REV	DESCRIPTION	QUALITY SYMBOLS
G1	UPDATE NOTES EC NO: UCP2009-1236 DRWN: JLOSTEME IER 2008/11/12 CHKD: BELL 2008/11/13 APPR: FSMITH 2008/11/14	<p>▽=0</p> <p>▽=0</p>

GENERAL TOLERANCES (UNLESS SPECIFIED)	
mm	INCH
4 PLACES ± .012	± .005
3 PLACES ± .012	± .005
2 PLACES ± 0.30	± .012
1 PLACE ± .012	± .005
ANGULAR ± 1/2°	
DRAFT WHERE APPLICABLE MUST REMAIN WITHIN DIMENSIONS	

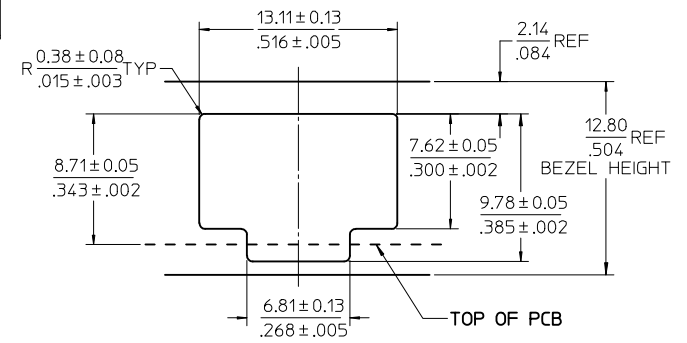
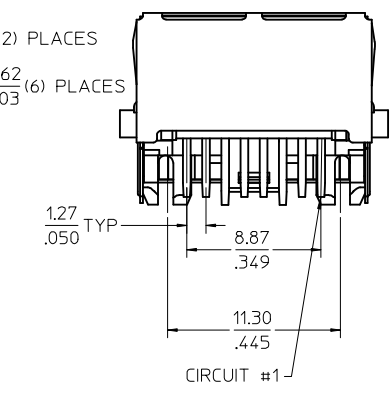
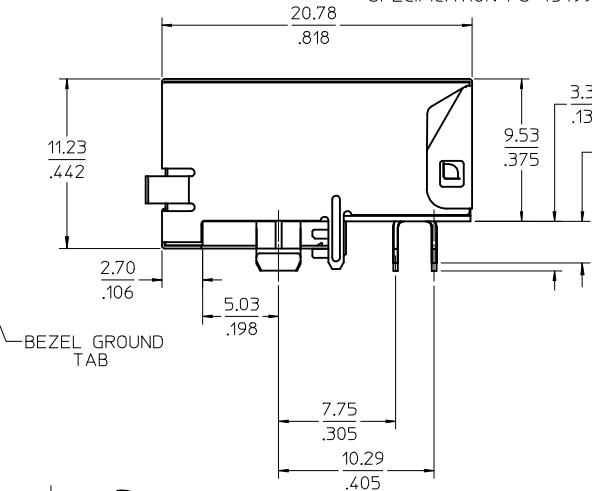
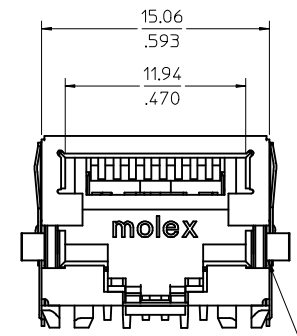
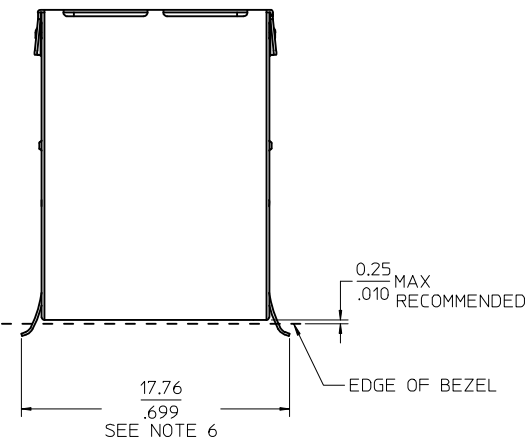
DIMENSION STYLE		SCALE	DESIGN UNITS	THIRD ANGLE PROJECTION
MM/IN		4:1	INCH	
DRAWN BY	DATE	<p>COMPACT SINGLE PORT CATEGORY 5 MODJACK</p> <p>MOLEX INCORPORATED</p>		
MKAMAR	00/04/07			
CHECKED BY	DATE			
MKAMAR	00/04/07	<p>SD-44661-001</p>		
APPROVED BY	DATE	<p>THIS DRAWING CONTAINS INFORMATION THAT IS PROPRIETARY TO MOLEX INCORPORATED AND SHOULD NOT BE USED WITHOUT WRITTEN PERMISSION</p>		
JROBERTS	00/04/07			

MATERIAL NO.	DOCUMENT NO.	SHEET NO.
SEE CHART	SD-44661-001	2 OF 4

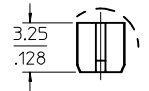
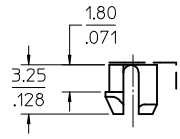
- NOTES:
- MATERIAL:
HOUSING: NYLON (PA), GLASS FILLED, UL94V-0, COLOR: BLACK
TERMINALS: PHOSPHOR BRONZE
SHIELD: BRASS, 0.18 / .007 THICK
 - FINISH:
TERMINALS:
SELECT GOLD IN CONTACT AREA: 1.27 MICROMETERS / 50 MICROINCHES MIN.
*SELECT MATTE TIN IN PC TAIL AREA: 2.54 MICROMETERS / 100 MICROINCHES MIN.
WITH OVERALL NICKEL UNDERPLATE: 1.27 MICROMETERS / 50 MICROINCHES MIN.
SHIELD:
*2.54 MICROMETERS / 100 MICROINCHES NICKEL OVER 1.27 MICROMETERS / 50 MICROINCHES COPPER UNDERPLATE, PCB GROUND TABS DIPPED IN TIN.
*THE PRIMARY SHIPPING CARTON WILL BE LABELED "COMPLIANT TO RoHS DIRECTIVE 2002/95/EC AND ELV ANNEX II OF DIRECTIVE 2000/53/EC".
CARTONS WITHOUT THIS LABEL MAY CONTAIN PRODUCT WITH TIN-LEAD IN THE PC TAILS AND/OR SHIELD.
 - PRODUCT SPECIFICATION AND PROCESSING PARAMETERS: PS-44560-003.
 - PACKAGING SPECIFICATION:
CONNECTOR PACKAGED IN TRAYS PER MOLEX PACKAGING SPECIFICATION PK-44661-004.
 - CONFORMS TO FCC REGULATION PART 68.5 FOR MODULAR JACKS.
 - THIS DIMENSION HAS A MAXIMUM OF 20.45/0.805 WHEN THE JACK IS INSTALLED BEHIND THE BEZEL.
 - SEE SHEET (4) OF (4) FOR PCB LAYOUT.
 - ASSEMBLY AVAILABLE WITH EITHER SNAP-FIT OR PRESS-FIT PEGS. THIS DRAWING SHOWS SNAP-FIT PEGS.
 - TERMINAL LENGTHS MAY BE DIFFERENT FROM TERMINAL TO TERMINAL.
 - THIS PART CONFORMS TO CLASS B REQUIREMENTS OF COSMETIC SPECIFICATION PS-45499-002.



SHIELDING OPTION -C-
BEZEL GROUND TABS



RECOMMENDED
PANEL OPENING
FOR PMC BEZEL ONLY



SNAP-FIT PEG

PRESS-FIT PEG

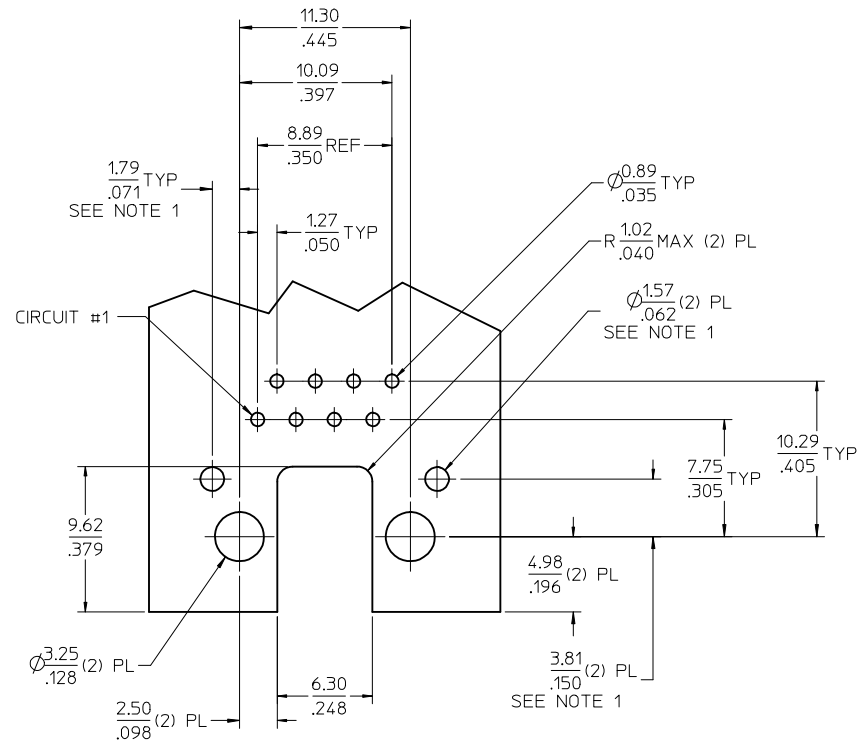
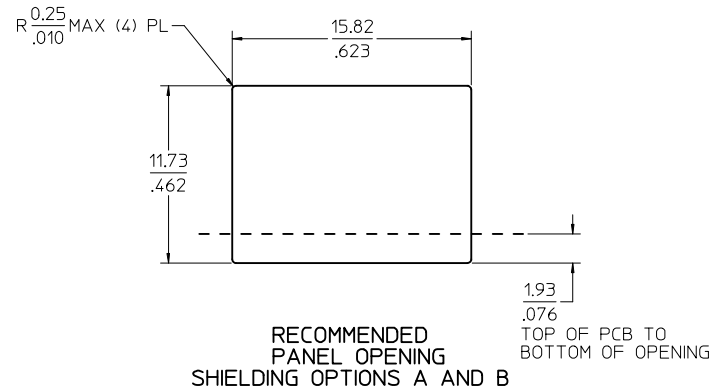
REV	DESCRIPTION	QUALITY SYMBOLS
G1	UPDATE NOTES EC NO: UCP2009-1236 DRAWN: KLOSTERMAYER 2008/11/12 CHKD: JBEL 2008/11/13 APPR: FSMITH 2008/11/14	= 0 = 0

GENERAL TOLERANCES (UNLESS SPECIFIED)	
mm	INCH
4 PLACES ± .012	± .0005
3 PLACES ± .012	± .0005
2 PLACES ± 0.30	± .012
1 PLACE ± .012	± .0005
ANGULAR ± 1/2°	
DRAFT WHERE APPLICABLE MUST REMAIN WITHIN DIMENSIONS	

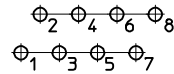
DIMENSION STYLE	
MM/IN	
DRAWN BY	DATE
MKAMAR	00/04/07
CHECKED BY	DATE
MKAMAR	00/04/07
APPROVED BY	DATE
JROBERTS	00/04/07
MATERIAL NO.	DOCUMENT NO.
SEE CHART	SD-44661-001
SIZE	
C	

SCALE	DESIGN UNITS	THIRD ANGLE PROJECTION
4:1	INCH	
COMPACT SINGLE PORT CATEGORY 5 MODJACK		
MOLEX INCORPORATED		
DOCUMENT NO.		SHEET NO.
SD-44661-001		3 OF 4
THIS DRAWING CONTAINS INFORMATION THAT IS PROPRIETARY TO MOLEX INCORPORATED AND SHOULD NOT BE USED WITHOUT WRITTEN PERMISSION		

ASSEMBLY MATERIAL NUMBER	PEG STYLE
446610021	SNAP-FIT
446611021	PRESS-FIT



PCB LAYOUT : COMPONENT SIDE
RECOMMENDED PCB THICKNESS (SNAP-FIT PEG) : 1.57/.062
TOLERANCE $\pm 0.076/0.003$ UNLESS OTHERWISE SPECIFIED



NOTES:
1. DIMENSIONS REFER TO ASSEMBLIES WITH SHIELDING OPTION

EC NO: UCP2009-1236 DRWN: KLOSTEMEIER 2008/11/12 CHKD: J.BELL 2008/11/13 APPR: FSMITH 2008/11/14	QUALITY SYMBOLS ▽=0 ▽=0	GENERAL TOLERANCES (UNLESS SPECIFIED)		DIMENSION STYLE	SCALE	DESIGN UNITS	THIRD ANGLE PROJECTION
		mm	INCH	MM/IN	4:1	INCH	
REV G1	DESCRIPTION	4 PLACES	± ---	± ---	DRAWN BY MKAMAR	DATE 00/04/07	COMPACT SINGLE PORT CATEGORY 5 MODJACK
		3 PLACES	± ---	± .012	CHECKED BY MKAMAR	DATE 00/04/07	
		2 PLACES	± 0.30	± ---	APPROVED BY JROBERTS	DATE 00/04/07	
		1 PLACE	± ---	± ---	MATERIAL NO. N/A	DOCUMENT NO. SD-44661-001	
ANGULAR $\pm 1/2^\circ$		DRAFT WHERE APPLICABLE MUST REMAIN WITHIN DIMENSIONS		SIZE C	THIS DRAWING CONTAINS INFORMATION THAT IS PROPRIETARY TO MOLEX INCORPORATED AND SHOULD NOT BE USED WITHOUT WRITTEN PERMISSION		SHEET NO. 4 OF 4