

Distributed by:

JAMECO[®]
ELECTRONICS

www.Jameco.com ♦ 1-800-831-4242

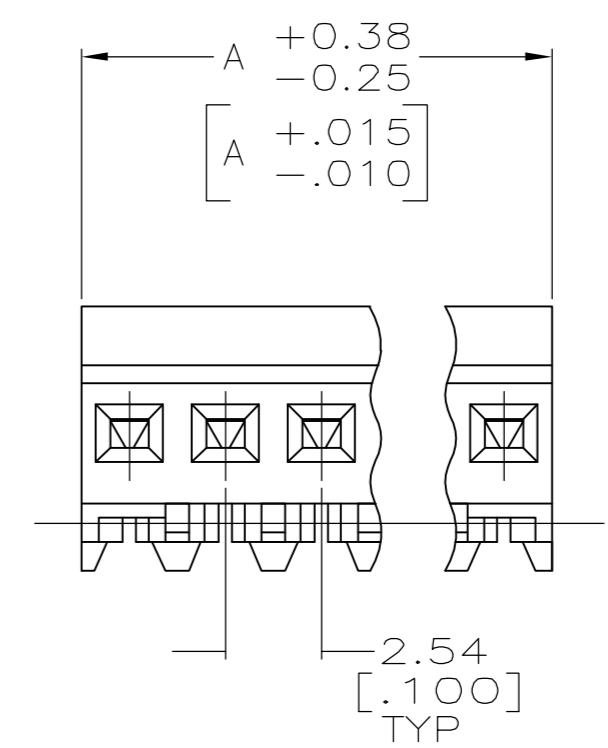
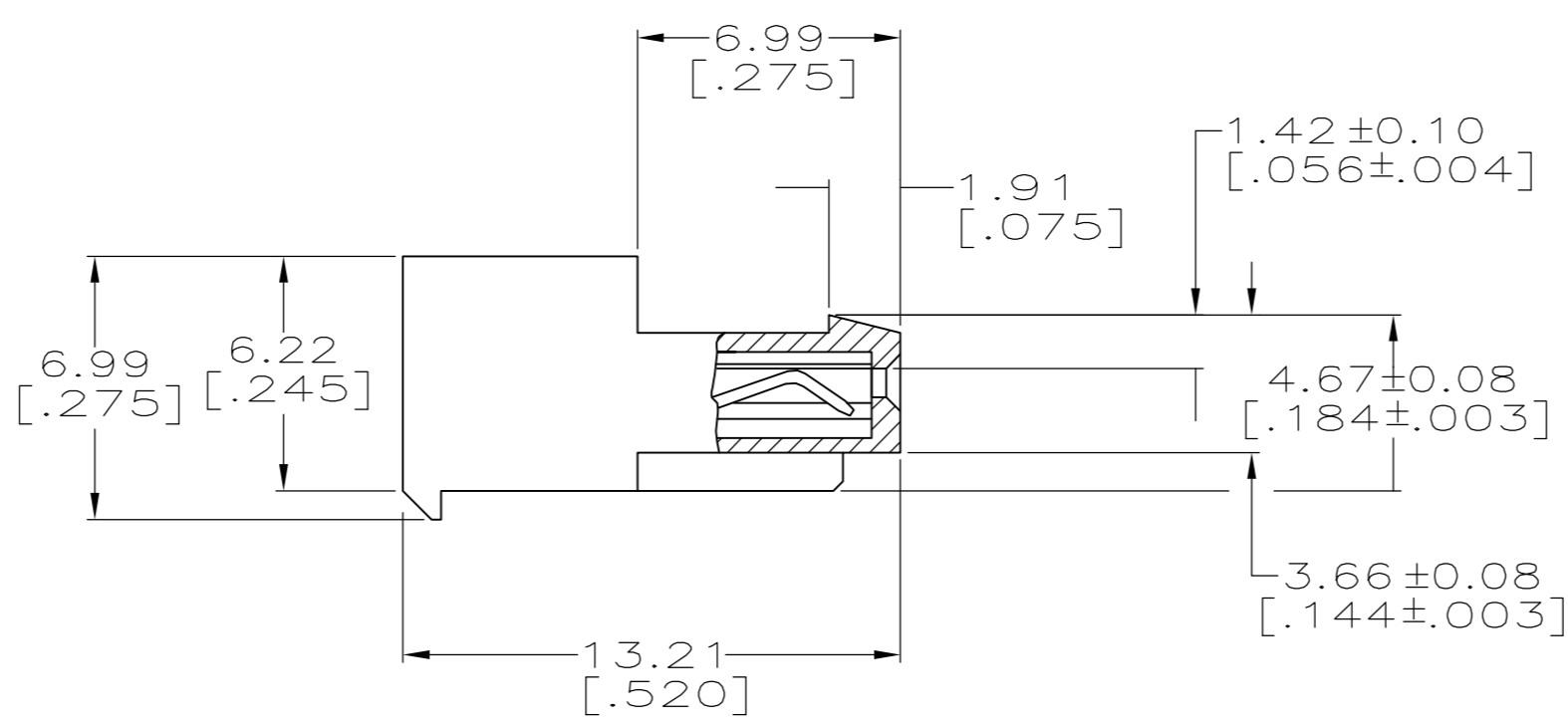
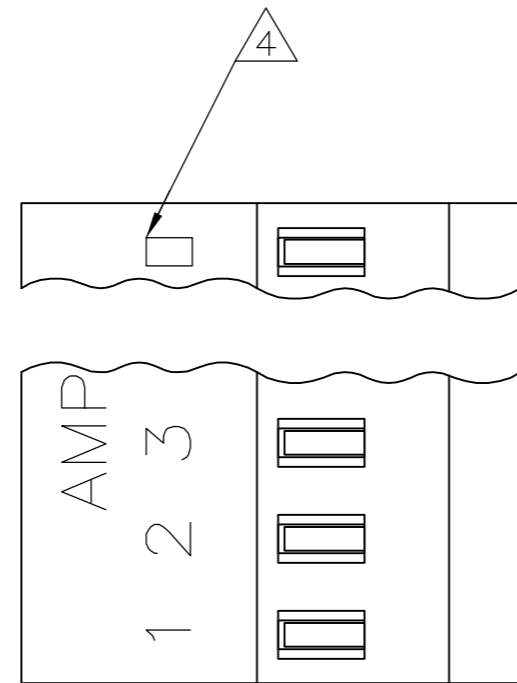
The content and copyrights of the attached
material are the property of its owner.

Jameco Part Number 1971600

THIS DRAWING IS UNPUBLISHED. RELEASED FOR PUBLICATION
 © COPYRIGHT BY TYCO ELECTRONICS CORPORATION. ALL RIGHTS RESERVED.

| LOC | | DIST | | REVISIONS | | | |
|-----|-----|-------------|-----------------------|-----------|------|----|--|
| P | LTR | DESCRIPTION | DATE | DWN | APVD | | |
| CM | 00 | M | REV PER ECO-07-003704 | 21FEB07 | KW | DB | |

| | YES | DIM A | NO. OF CIRCUITS | PART NO. |
|---|----------|--------------|-----------------|------------|
| D | YES | 71.12[2.800] | 28 | 5-640440-8 |
| | YES | 68.58[2.700] | 27 | 5-640440-7 |
| | YES | 66.04[2.600] | 26 | 5-640440-6 |
| | YES | 63.50[2.500] | 25 | 5-640440-5 |
| | YES | 60.96[2.400] | 24 | 5-640440-4 |
| | YES | 58.42[2.300] | 23 | 5-640440-3 |
| | YES | 55.88[2.200] | 22 | 5-640440-2 |
| | YES | 53.34[2.100] | 21 | 5-640440-1 |
| | YES | 50.80[2.000] | 20 | 5-640440-0 |
| | YES | 48.26[1.900] | 19 | 4-640440-9 |
| | YES | 45.72[1.800] | 18 | 4-640440-8 |
| | YES | 43.18[1.700] | 17 | 4-640440-7 |
| | YES | 40.64[1.600] | 16 | 4-640440-6 |
| | YES | 38.10[1.500] | 15 | 4-640440-5 |
| C | YES | 35.56[1.400] | 14 | 4-640440-4 |
| | YES | 33.02[1.300] | 13 | 4-640440-3 |
| | YES | 30.48[1.200] | 12 | 4-640440-2 |
| | YES | 27.94[1.100] | 11 | 4-640440-1 |
| | YES | 25.40[1.000] | 10 | 4-640440-0 |
| | YES | 22.86[.900] | 9 | 3-640440-9 |
| | YES | 20.32[.800] | 8 | 3-640440-8 |
| | YES | 17.78[.700] | 7 | 3-640440-7 |
| | YES | 15.24[.600] | 6 | 3-640440-6 |
| | YES | 12.70[.500] | 5 | 3-640440-5 |
| | YES | 10.16[.400] | 4 | 3-640440-4 |
| | YES | 7.62[.300] | 3 | 3-640440-3 |
| | YES | 5.08[.200] | 2 | 3-640440-2 |
| | NO | 71.12[2.800] | 28 | 2-640440-8 |
| | NO | 68.58[2.700] | 27 | 2-640440-7 |
| | NO | 66.04[2.600] | 26 | 2-640440-6 |
| | NO | 63.50[2.500] | 25 | 2-640440-5 |
| B | NO | 60.96[2.400] | 24 | 2-640440-4 |
| | NO | 58.42[2.300] | 23 | 2-640440-3 |
| | NO | 55.88[2.200] | 22 | 2-640440-2 |
| | NO | 53.34[2.100] | 21 | 2-640440-1 |
| | NO | 50.80[2.000] | 20 | 2-640440-0 |
| | NO | 48.26[1.900] | 19 | 1-640440-9 |
| | NO | 45.72[1.800] | 18 | 1-640440-8 |
| | NO | 43.18[1.700] | 17 | 1-640440-7 |
| | NO | 40.64[1.600] | 16 | 1-640440-6 |
| | NO | 38.10[1.500] | 15 | 1-640440-5 |
| | NO | 35.56[1.400] | 14 | 1-640440-4 |
| | NO | 33.02[1.300] | 13 | 1-640440-3 |
| | NO | 30.48[1.200] | 12 | 1-640440-2 |
| | NO | 27.94[1.100] | 11 | 1-640440-1 |
| | NO | 25.40[1.000] | 10 | 1-640440-0 |
| | NO | 22.86[.900] | 9 | 640440-9 |
| | NO | 20.32[.800] | 8 | 640440-8 |
| | NO | 17.78[.700] | 7 | 640440-7 |
| | NO | 15.24[.600] | 6 | 640440-6 |
| | NO | 12.70[.500] | 5 | 640440-5 |
| | NO | 10.16[.400] | 4 | 640440-4 |
| | NO | 7.62[.300] | 3 | 640440-3 |
| | NO | 5.08[.200] | 2 | 640440-2 |
| A | LEADFREE | DIM A | NO. OF CIRCUITS | PART NO. |



- 1 MATERIAL: CONNECTOR - NYLON UL94V-2 (RED).
 CONTACTS - 0.30[.012] THICK COPPER ALLOY
 BRIGHT TIN-LEAD .00203[.000080] MIN THICKNESS
 FOR 640440-2 THRU 2-640440-8.
 MATTE WHISKER MITIGATED TIN .00203[.000080] MIN THICKNESS OVER
 NICKEL UNDERPLATE FOR 3-640440-2 THRU 5-640440-8.
- 2. CONTACTS ACCEPT 22 AWG WIRE WITH 1.52[.060] MAX
 INSULATION DIAMETER.
- 3. CONTACTS MUST ACCEPT 0.64±0.03[.025]
 POST AND REMAIN LOCKED IN POSITION.
- 4 IDENTIFICATION NUMBER FOR LAST CIRCUIT MAY
 NOT APPEAR ON ALL ASSEMBLIES.
- 5. DIMENSIONS IN BRACKETS ARE IN INCHES.
- 6. HOUSING FEATURES ARE: CLOSED END WITH LOCKING
 RAMP.

METRIC

| | | | | |
|---|--|----------------------------------|---|--|
| THIS DRAWING IS A CONTROLLED DOCUMENT. | | DWN S. CARPENTER 09JUN2003 | tyco Tyco Electronics Corporation Harrisburg, PA 17105-3608 | |
| DIMENSIONS: INCHES | | CHK D. BOSSI 09JUN2003 | NAME MTA 100 CONNECTOR ASSEMBLY, 22 AWG, STANDARD | |
| TOLERANCES UNLESS OTHERWISE SPECIFIED: | | APVD D. BOSSI 09JUN2003 | PRODUCT SPEC 108-1050 | |
| 0 PLC ± | | APPLICATION SPEC 114-1019 | | |
| 1 PLC ± | | SIZE A2 | | |
| 2 PLC ± | | CAGE CODE 00779 | | |
| 3 PLC ± 0.13 [.005] | | DRAWING NO C=640440 | | |
| 4 PLC ± | | RESTRICTED TO - | | |
| ANGLES ± | | SCALE 5:1 | | |
| FINISH | | SHEET 1 of 1 | | |
| MATERIAL | | REV M | | |
| CUSTOMER DRAWING | | | | |