

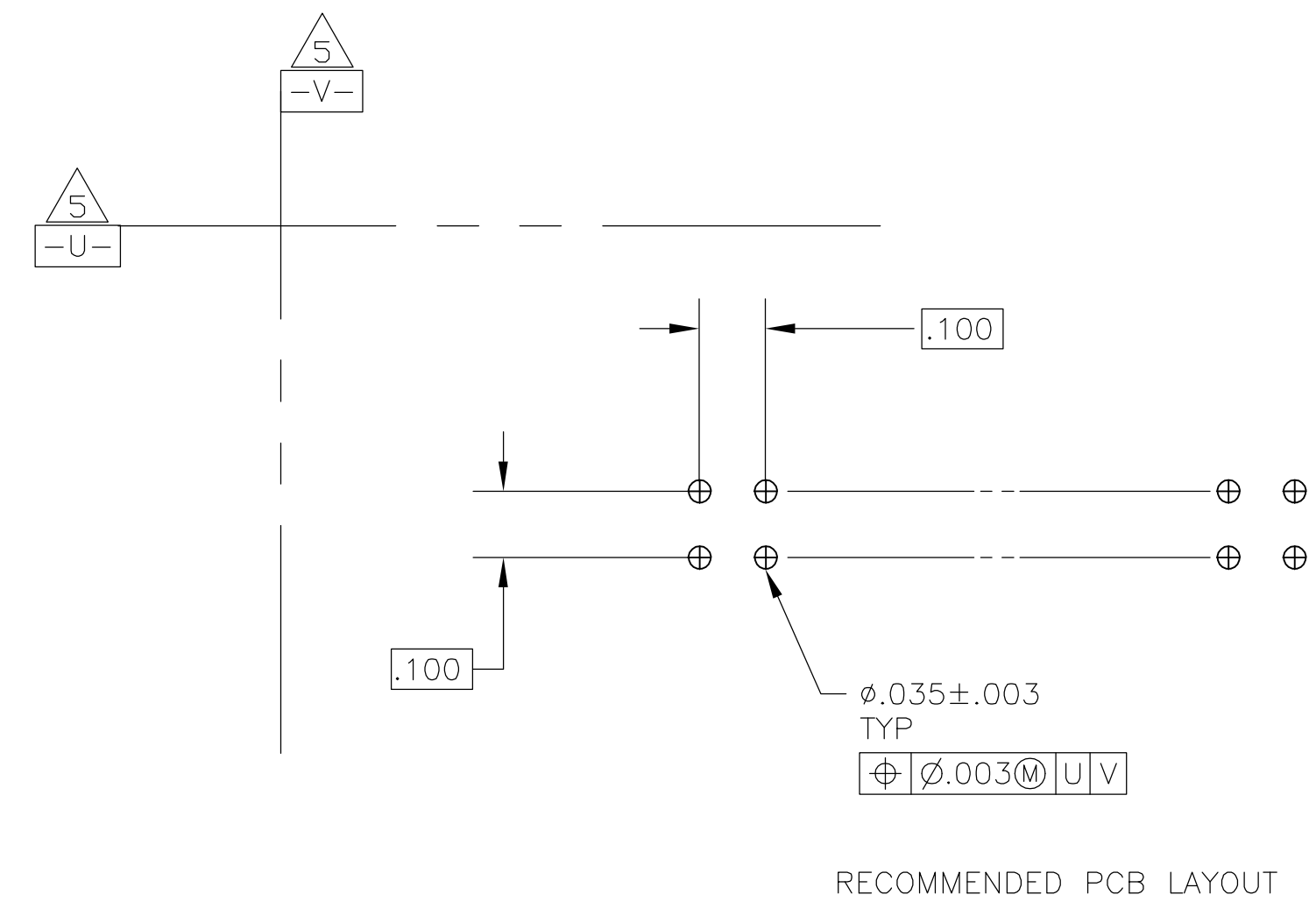
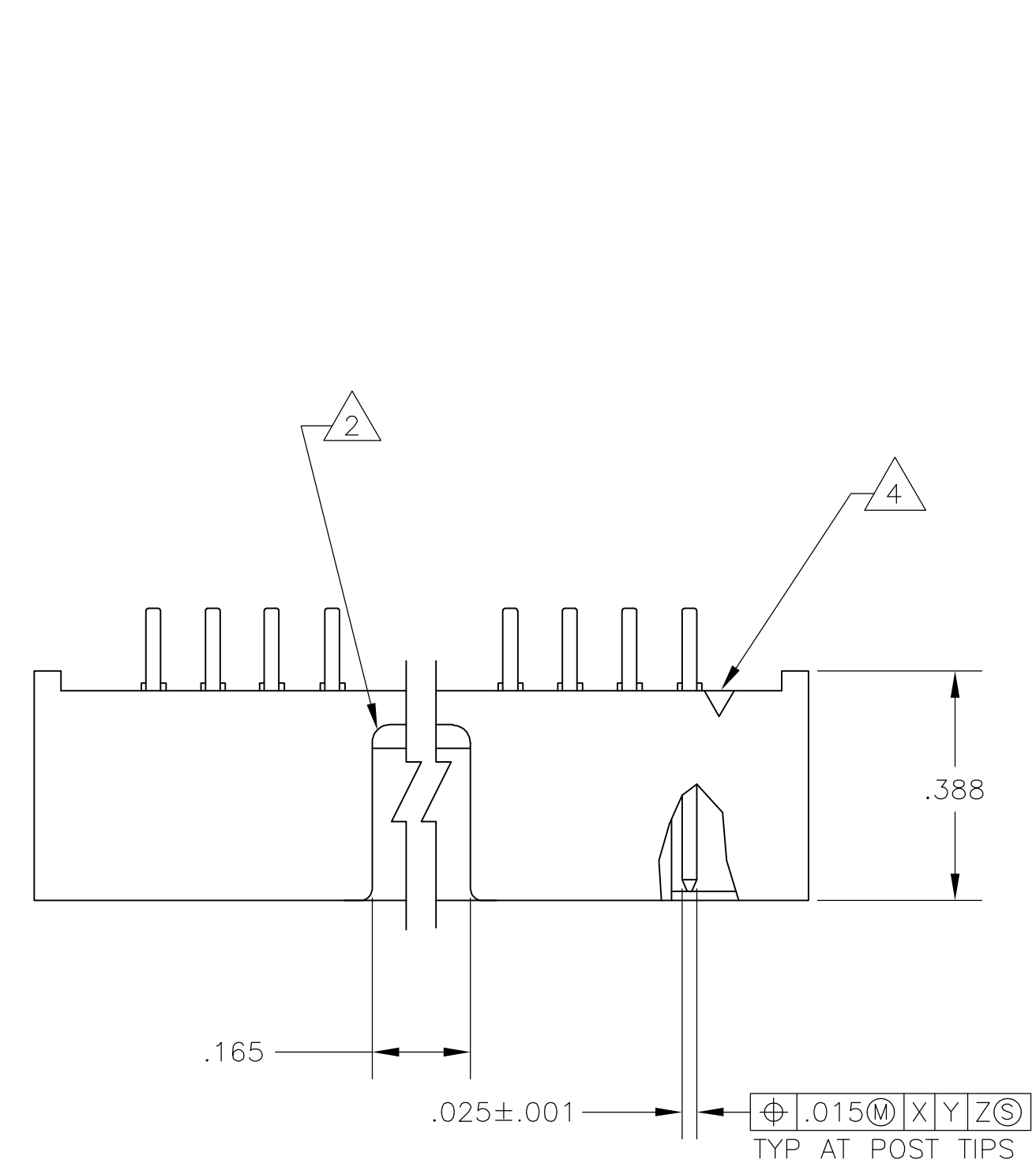
Distributed by:

JAMECO[®]
ELECTRONICS

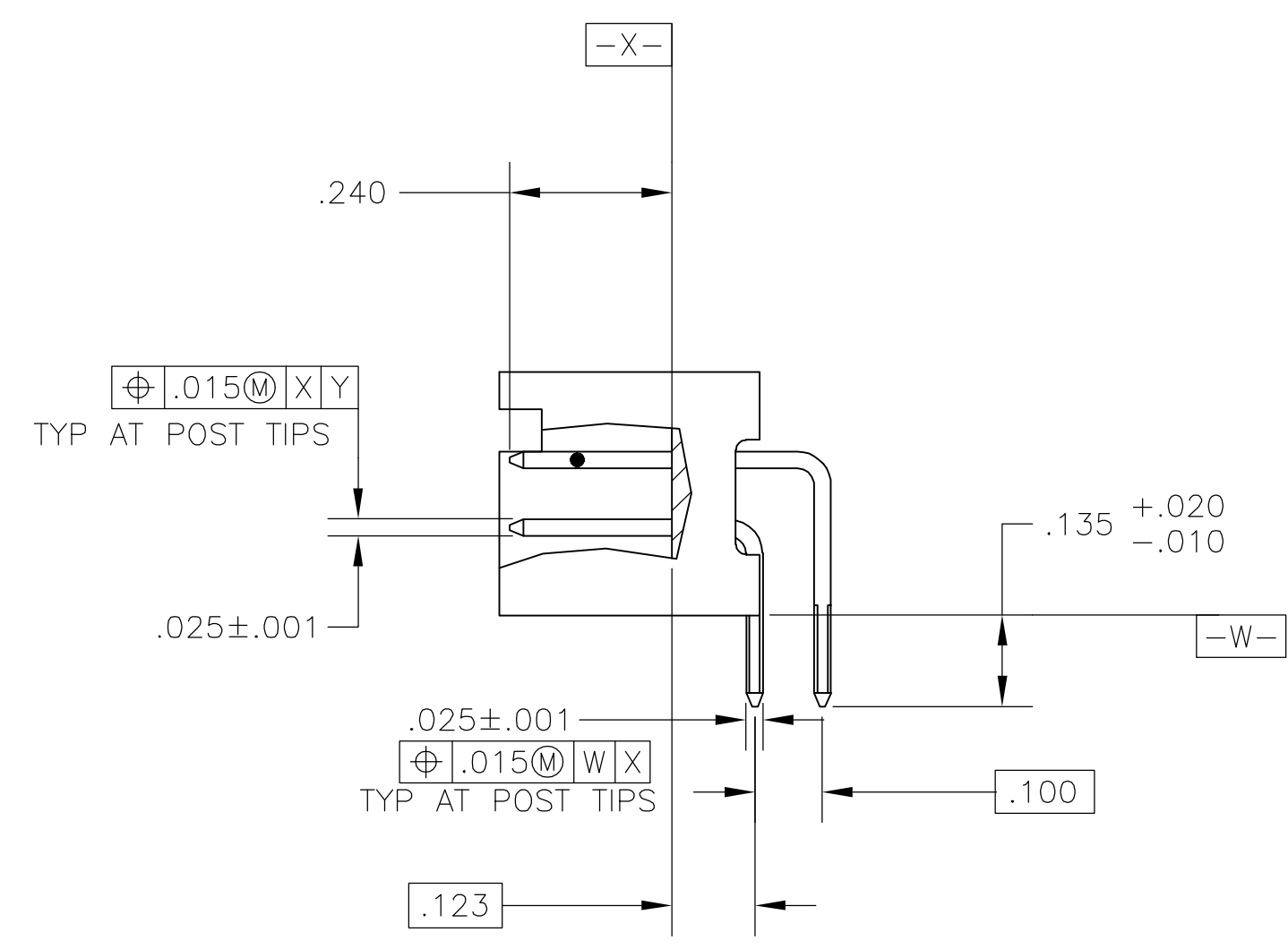
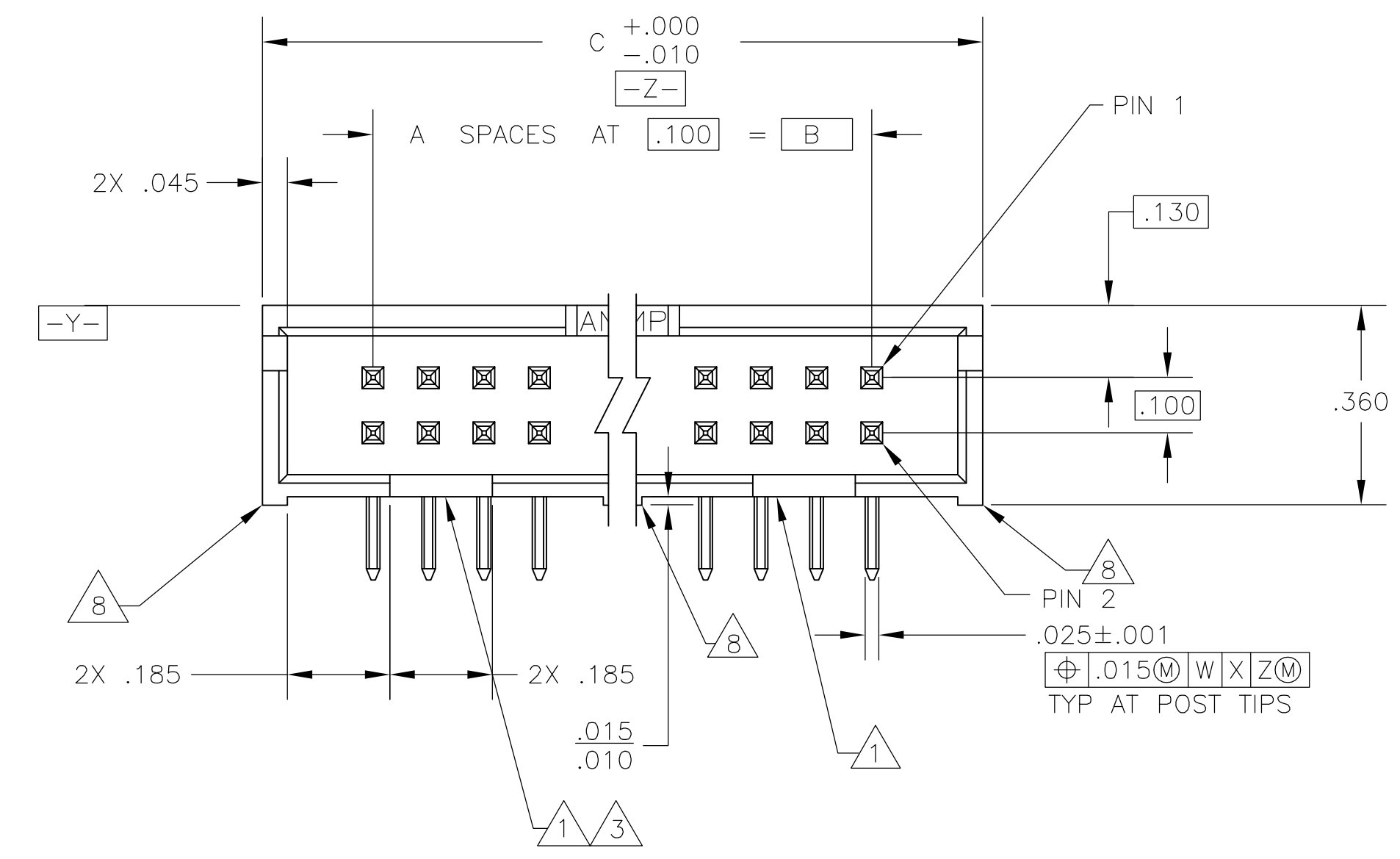
www.Jameco.com ♦ 1-800-831-4242

The content and copyrights of the attached
material are the property of its owner.

Jameco Part Number 1972565



- 1 DOUBLE BAR POLARIZATION SLOTS.
- 2 CENTER POLARIZATION SLOT.
- 3 FOR 10 POSN ASSEMBLY, SLOT OMITTED IN THIS LOCATION.
- 4 NUMBER 1 POSITION INDICATOR.
- 5 DATUMS U & V TO BE ESTABLISHED BY THE CUSTOMER.
- 6 HOUSING: GLASS FILLED NYLON, UL 94V-0, COLOR: BLACK
POSTS: PHOS BRONZE
- 7 POSTS: GOLD FLASH OVER .000030 MIN
PALLADIUM-NICKEL PLATE ON THE MATING SURFACES,
.000100 MIN TIN PLATE ON THE SOLDER-TAILS, .000050
MIN NICKEL UNDERPLATE ON THE ENTIRE POST.
-OR-
.000030 MIN GOLD PLATE ON THE MATING SURFACES,
.000100 MIN TIN PLATE ON THE SOLDER-TAILS, .000050
MIN NICKEL UNDERPLATE ON THE ENTIRE POST.
- 8 STANDOFFS:
ALL POSITION SIZES- 2 LOCATED AT ENDS OF HOUSING.
20 THRU 34 POSITION SIZES-1 ADDITIONAL STANDOFF
CENTERED ON HOUSING.
40 THRU 60 POSITION SIZES- 2 ADDITIONAL STANDOFFS
EVENLY SPACED WITHIN REMAINING LENGTH OF HOUSING.



3.300	2.900	29	60	1-5103311-2
2.800	2.400	24	50	1-5103311-0
2.300	1.900	19	40	5103311-8
2.000	1.600	16	34	5103311-7
1.600	1.200	12	26	5103311-6
1.300	.900	9	20	5103311-5
1.100	.700	7	16	5103311-3
1.000	.600	6	14	5103311-2
.800	.400	4	10	5103311-1
C	B	A	NO OF POSN	PART NUMBER

THIS DRAWING IS A CONTROLLED DOCUMENT.

DIMENSIONS:	TOLERANCES UNLESS OTHERWISE SPECIFIED:	DWN B. LATTUCA 03 NOV 05		Tyco Electronics Corporation Harrisburg, PA 17105-3608	
INCHES	0 PLC ± - 1 PLC ± - 2 PLC ± - 3 PLC ± .005 4 PLC ± - ANGLES ± -	CHK S. BOLASH 03 NOV 05		NAME	108-40018
		APVD W. WALMSLEY 03 NOV 05	PRODUCT SPEC	HEADER ASSY, RIGHT ANGLE, LOW PROFILE, AMP-LATCH	
MATERIAL	FINISH	SIZE	CAGE CODE	DRAWING NO	RESTRICTED TO
6	7	A1	00779	5103311	
CUSTOMER DRAWING		SCALE	4:1	SHEET	1 OF 1