

Distributed by:

JAMECO[®]
ELECTRONICS

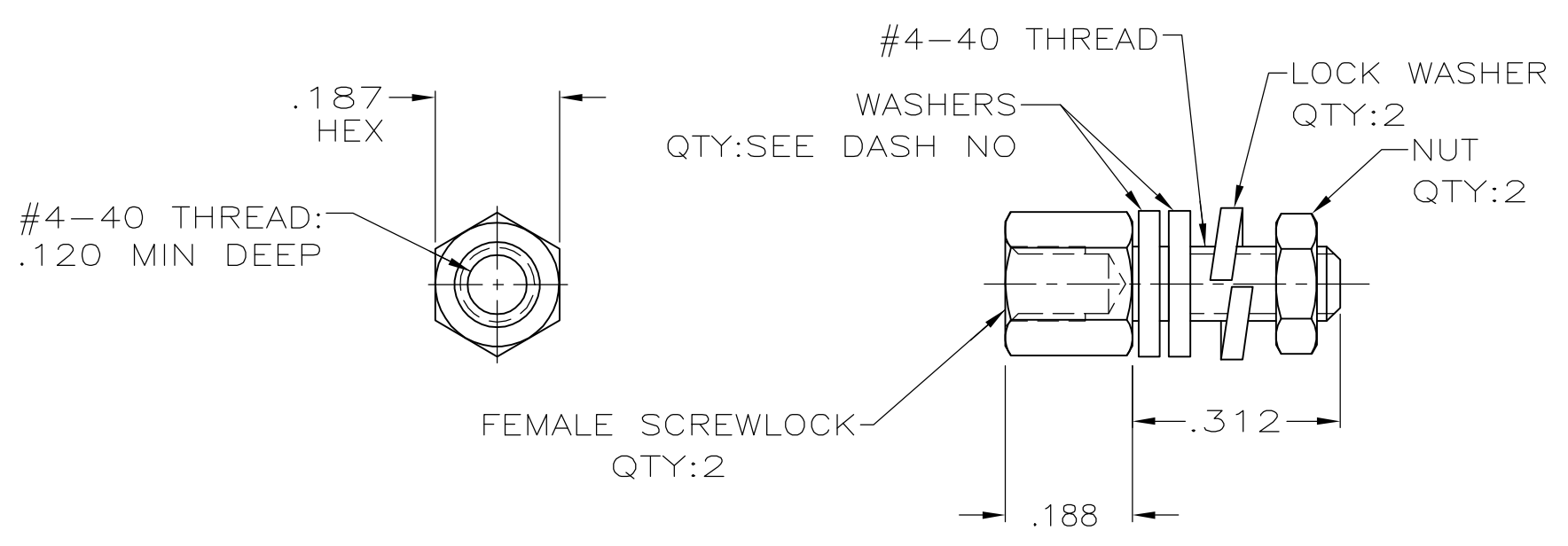
www.Jameco.com ♦ 1-800-831-4242

The content and copyrights of the attached
material are the property of its owner.

Jameco Part Number 1973306

THIS DRAWING IS UNPUBLISHED. RELEASED FOR PUBLICATION
 © COPYRIGHT BY TYCO ELECTRONICS CORPORATION. ALL RIGHTS RESERVED.

LOC	DIST	REVISIONS					
BD	48	P	LTR	DESCRIPTION	DATE	DWN	APVD
		0		RELEASED PER EC 0S13-0207-05	27JUN05	SW	JG



- ① ZINC PLATED .000200-000400 THICK YELLOW CHROMATE COATING.
- ② ZINC PLATED .000200-000400 THICK CLEAR CHROMATE COATING.
- 3. PARTS PACKAGED UNASSEMBLED.
- ④ PARTS PACKED AS A UNIT KIT.
- ⑤ PARTS INDIVIDUALLY BULK PACKED & SHIPPED AS A UNIT PACKAGE.
- 6. IDENTIFIED BY MIL SPEC PART NUMBER M24308/26-01 FOR -8 ONLY & TYCO PART NUMBER (FOR ALL DASH NUMBERS).

④	6	①	5205817-8
⑤	4	②	5205817-4
④	4	②	5205817-3
⑤	4	①	5205817-2
④	4	①	5205817-1
PACKAGING	NO OF WASHERS	FINISH	PART NUMBER

THIS DRAWING IS A CONTROLLED DOCUMENT.		DWN S.WAITMAN 27JUN05	Tyco Electronics Corporation Harrisburg, Pa 17105-3608		
DIMENSIONS: INCHES		CHK C.ROHDE 27JUN05			
TOLERANCES UNLESS OTHERWISE SPECIFIED:		APVD M.WALMSLEY 27JUN05	NAME KIT, SCREWLOCK, FEMALE, AMPLIMITE		
0 PLC ± - 1 PLC ± - 2 PLC ± - 3 PLC ± .005 4 PLC ± - ANGLES ± -		PRODUCT SPEC -	RESTRICTED TO -		
MATERIAL COLD ROLLED STEEL		FINISH SEE TABLE	SIZE A3	CAGE CODE 00779	DRAWING NO C-5205817
CUSTOMER DRAWING			SCALE 4:1	SHEET 1 OF 1	REV 0