

Distributed by:

**JAMECO**<sup>®</sup>  
ELECTRONICS

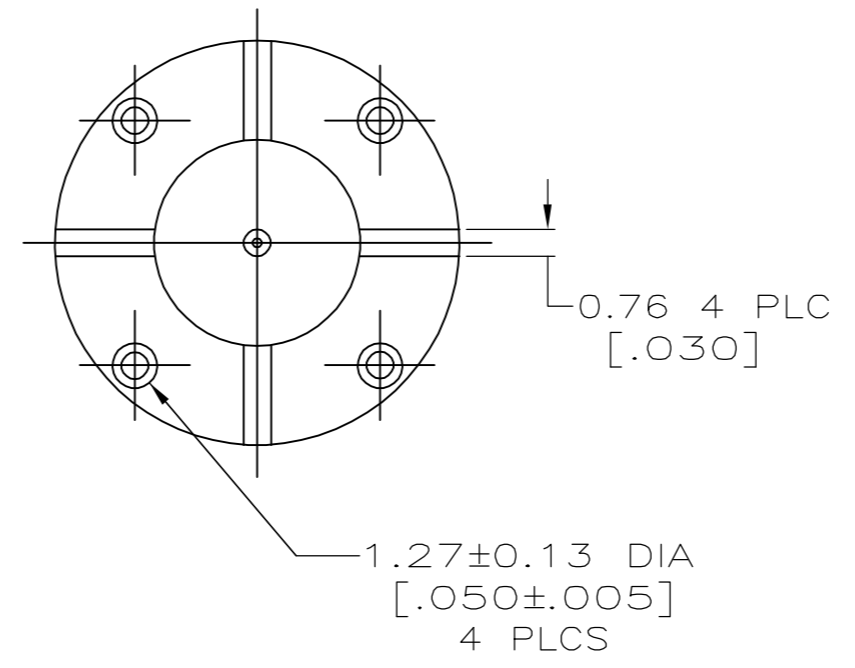
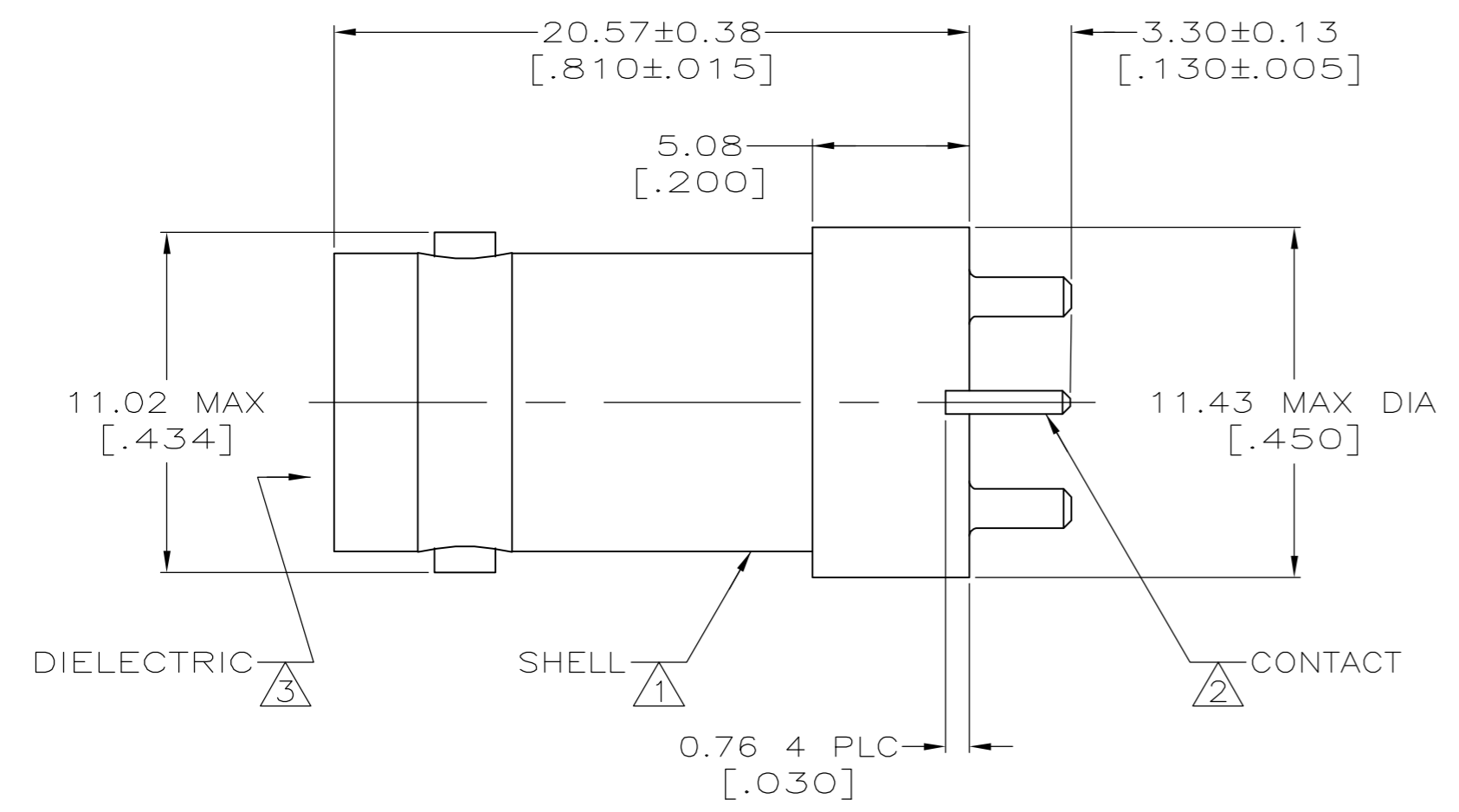
**www.Jameco.com ♦ 1-800-831-4242**

The content and copyrights of the attached  
material are the property of its owner.

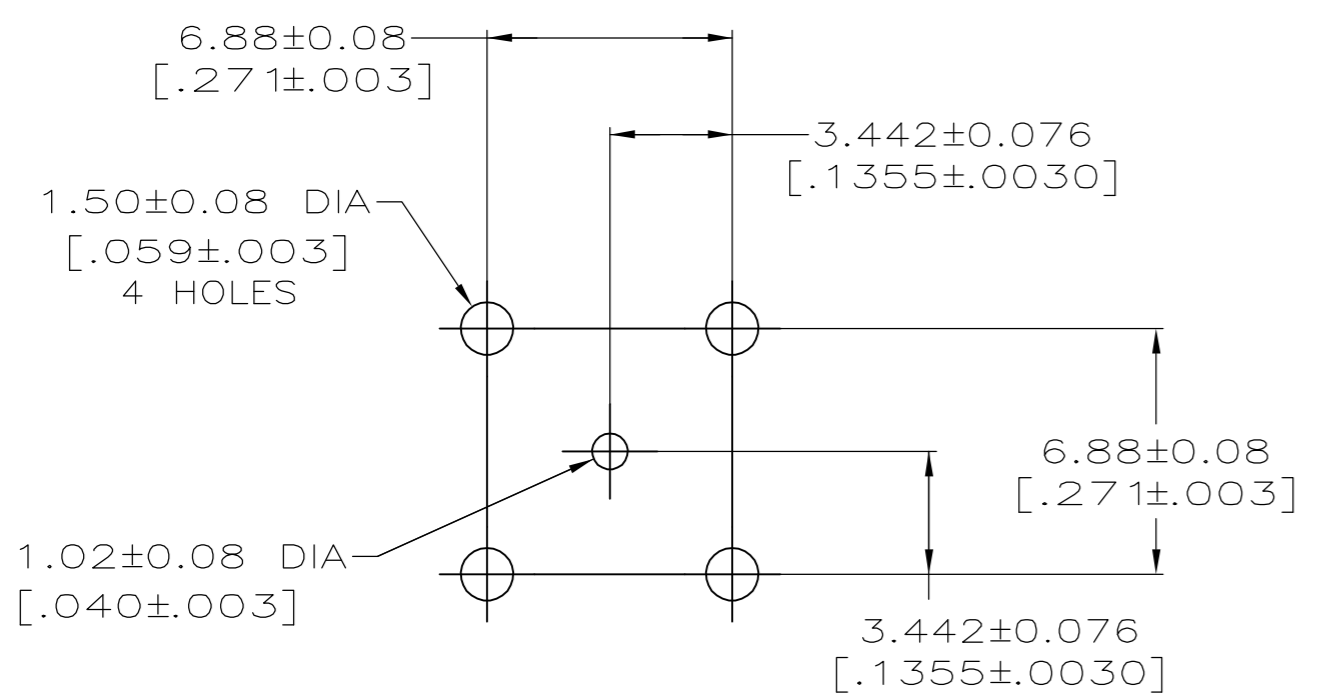
Jameco Part Number 1974077

THIS DRAWING IS UNPUBLISHED. RELEASED FOR PUBLICATION  
 © COPYRIGHT BY TYCO ELECTRONICS CORPORATION. ALL RIGHTS RESERVED.

LOC	DIST	REVISIONS			
P	LTR	DESCRIPTION	DATE	DWN	APVD
AJ	16	0	REV PER EC-0S14-0496-04	31JAN2005	GA JL



- 1 ZINC PER QQ-Z-363.
- 2 BERYLLIUM COPPER PER ASTM-B-196.
- 3 PTFE PER MIL-P-19468.
- 4 TIN PLATE PER ASTM-B-545, 3.05 μm [.000120] MINIMUM THICK.
- 5 GOLD PLATE PER MIL-G-45204 0.76 μm [.000030] MINIMUM THICK.
- 6. SEE INSTRUCTION SHEET 408-9889.



PCB CONFIGURATION

5	4	5413969-2
CONTACT FINISH	SHELL FINISH	PART NUMBER

THIS DRAWING IS A CONTROLLED DOCUMENT.		DWN G. ATTADIA - DOCK5 31JAN2005	Tyco Electronics Corporation Harrisburg, PA 17105-3608	
DIMENSIONS: mm [INCHES]		CHK J. HAVENER 31JAN2005	NAME JACK, VERTICAL, PCB, 50 OHM, COMMERCIAL BNC	
TOLERANCES UNLESS OTHERWISE SPECIFIED:		APVD J. LIPPERT 31JAN2005	PRODUCT SPEC 108-12078	
MATERIAL SEE NOTES 1-3		FINISH SEE NOTES 4-6	APPLICATION SPEC -	RESTRICTED TO -
MATERIAL		WEIGHT -	SIZE A2	CAGE CODE 00779
MATERIAL		WEIGHT -	DRAWING NO C-5413969	SCALE 5:1
MATERIAL		WEIGHT -	CUSTOMER DRAWING	SHEET 1 OF 1
MATERIAL		WEIGHT -	CUSTOMER DRAWING	REV 0

5413969