



**MAGNIFYING FLOURESCENT WORK LIGHT**



Designed with a magnifying lens on a luminated ring offering 5X enlargement.

The fluorecent tube provides bright lighting without glare.

**JF-30 LEB**

- Long reach model.
- Electronic ballast is built into the arm.
- Accepts 22 watt fluorecent tubes.
- 110V or 220V operation. Specify your desired voltage when odering.
- Furnished with 1.8 meter cord and plug.  
Extended cord length is available upon requested.

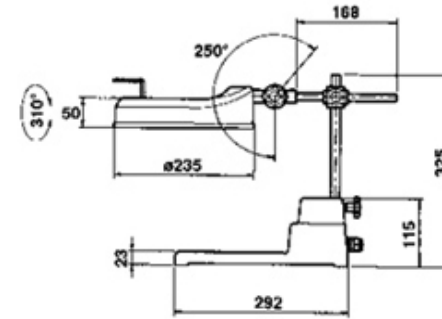
**JF-30 TEB**

- Bench type model.
- Constructed with large base ideally suited for inspection lighting.
- Electronic ballast is built into the arm.
- Accepts 22 watt fluorecent tubes.
- 110V or 220V operation. Specify your desired voltage when odering.
- Furnished with 1.8 meter cord and plug.  
Extended cord length is available upon requested.

**JF-22 CB**

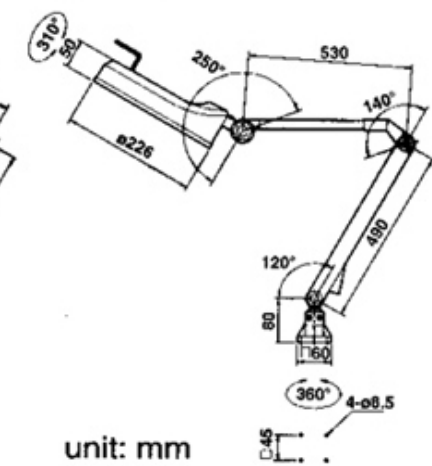
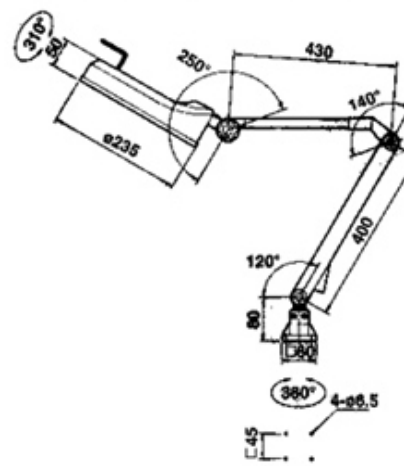
- Long reach model.
- Economy model with springs and stabilizers.
- Accepts 22 watt fluorecent tubes.
- 110V or 220V operation. Specify your desired voltage when odering.
- Furnished with 1.8 meter cord and plug.  
Extended cord length is available upon requested.

• JF-30TEB BENCH TYPE



• JF-30LEB LONG TYPE

• JF-22CB



unit: mm



**OPTION**

- MOUNTING CLAMP J-L01
- MOUNTING ANGLE PLATE J-C01

