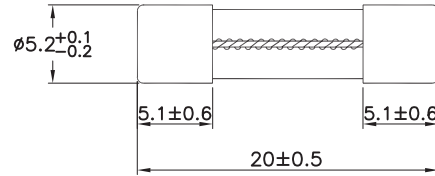


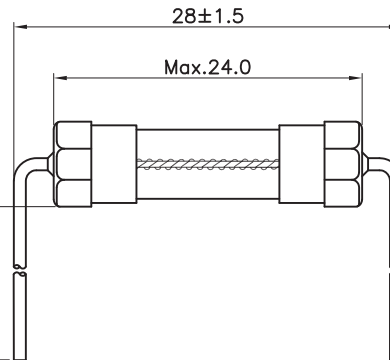
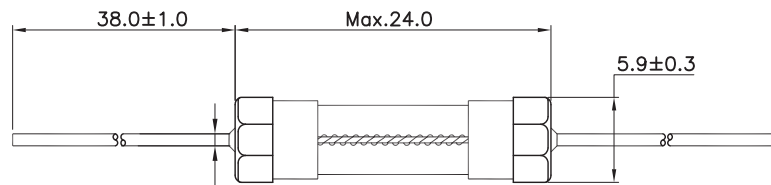
Dimensions in mm

MMG52



MMG52-PA

MMG52-PR



Dia. of Lead wire

0~15A $\phi 0.8 \pm 0.05$

16A~30A $\phi 1.2 \pm 0.05$

* PS:3.5A 125V Approvals .

3.5A 250V Approvals .

* PS:4A~6.3A Approvals only 125V

Test Specification according to Standard UL 248-1,14
Electrical Characteristic

Rated Current	1.0 In		1.35 In		2 In	
	In	Min.	Max.	Min.	Max.	Max.
63mA-30A	4 h		3600 S	3 S		120 S

Rated Current	Breaking capacity	Rated Voltage	MMG52-/PA-PR			
63mA	@125V/AC 10KA @250V/AC 35A	125V/250V	<input checked="" type="checkbox"/>	<input checked="" type="checkbox"/>		
80mA		125V/250V	<input checked="" type="checkbox"/>	<input checked="" type="checkbox"/>		
100mA		125V/250V	<input checked="" type="checkbox"/>	<input checked="" type="checkbox"/>		
125mA		125V/250V	<input checked="" type="checkbox"/>	<input checked="" type="checkbox"/>		
160mA		125V/250V	<input checked="" type="checkbox"/>	<input checked="" type="checkbox"/>		
200mA		125V/250V	<input checked="" type="checkbox"/>	<input checked="" type="checkbox"/>		
250mA		125V/250V	<input checked="" type="checkbox"/>	<input checked="" type="checkbox"/>		
300mA		125V/250V	<input checked="" type="checkbox"/>	<input checked="" type="checkbox"/>		
315mA		125V/250V	<input checked="" type="checkbox"/>	<input checked="" type="checkbox"/>		
375mA		125V/250V	<input checked="" type="checkbox"/>	<input checked="" type="checkbox"/>		
400mA		125V/250V	<input checked="" type="checkbox"/>	<input checked="" type="checkbox"/>		
500mA		125V/250V	<input checked="" type="checkbox"/>	<input checked="" type="checkbox"/>		
600mA		125V/250V	<input checked="" type="checkbox"/>	<input checked="" type="checkbox"/>		
630mA		125V/250V	<input checked="" type="checkbox"/>	<input checked="" type="checkbox"/>		
700mA		125V/250V	<input checked="" type="checkbox"/>	<input checked="" type="checkbox"/>		
800mA		125V/250V	<input checked="" type="checkbox"/>	<input checked="" type="checkbox"/>		
1A		125V/250V	<input checked="" type="checkbox"/>	<input checked="" type="checkbox"/>	<input checked="" type="checkbox"/>	
1.25A		@125V/AC 10KA @250V/AC 100A	125V/250V	<input checked="" type="checkbox"/>	<input checked="" type="checkbox"/>	<input checked="" type="checkbox"/>
1.5A			125V/250V	<input checked="" type="checkbox"/>	<input checked="" type="checkbox"/>	<input checked="" type="checkbox"/>
1.6A			125V/250V	<input checked="" type="checkbox"/>	<input checked="" type="checkbox"/>	<input checked="" type="checkbox"/>
2A	125V/250V		<input checked="" type="checkbox"/>	<input checked="" type="checkbox"/>	<input checked="" type="checkbox"/>	
2.5A	125V/250V		<input checked="" type="checkbox"/>	<input checked="" type="checkbox"/>	<input checked="" type="checkbox"/>	
3A	125V/250V		<input checked="" type="checkbox"/>	<input checked="" type="checkbox"/>	<input checked="" type="checkbox"/>	
3.15A	125V/250V		<input checked="" type="checkbox"/>	<input checked="" type="checkbox"/>	<input checked="" type="checkbox"/>	
* 3.5A	125V/250V		<input checked="" type="checkbox"/>	<input checked="" type="checkbox"/>	<input checked="" type="checkbox"/>	
* 4A	@125V/AC 10KA @250V/AC 200A		125V/250V	<input checked="" type="checkbox"/>		<input checked="" type="checkbox"/>
* 5A			125V/250V	<input checked="" type="checkbox"/>		<input checked="" type="checkbox"/>
* 6A		125V/250V	<input checked="" type="checkbox"/>		<input checked="" type="checkbox"/>	
* 6.3A		125V/250V	<input checked="" type="checkbox"/>		<input checked="" type="checkbox"/>	
7A		125V/250V				
8A		125V/250V				
10A	@32V/AC,DC 1000A	125V/250V				
12A		32V				
13A		32V				
15A		32V				
16A		32V				
20A		32V				
25A		32V				
30A		32V				

GOLDSUN ELECTRONICS CO., LTD.

JAMECO NO.	197472	GOLDSUN NO.	MMG52a2.000
Description	SLOW BLOW FUSE 250V 2AMP SIZE 5x20mm		Rev. 1
UNIT: mm	SCALE:	SHEET 1 OF 1	CAS No: ERN No: