

Distributed by:

**JAMECO**<sup>®</sup>  
ELECTRONICS

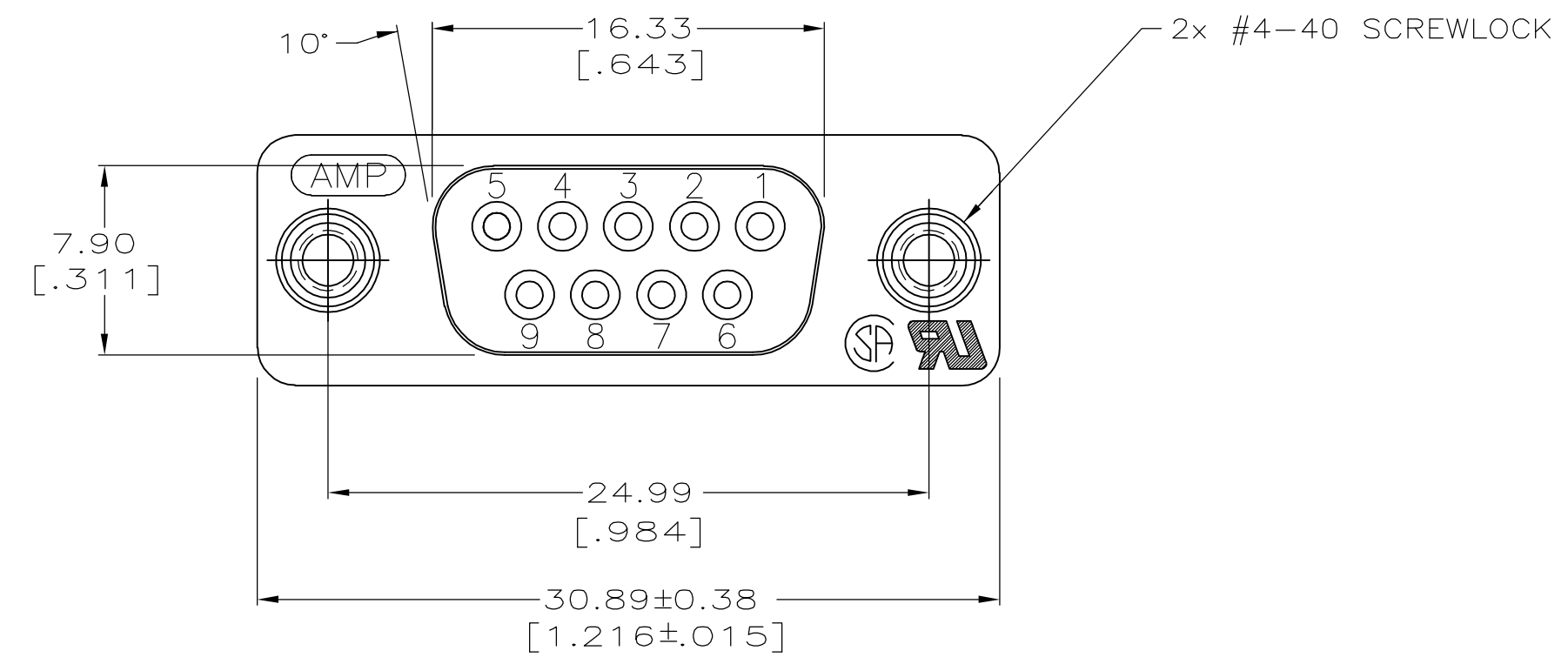
**www.Jameco.com ♦ 1-800-831-4242**

The content and copyrights of the attached  
material are the property of its owner.

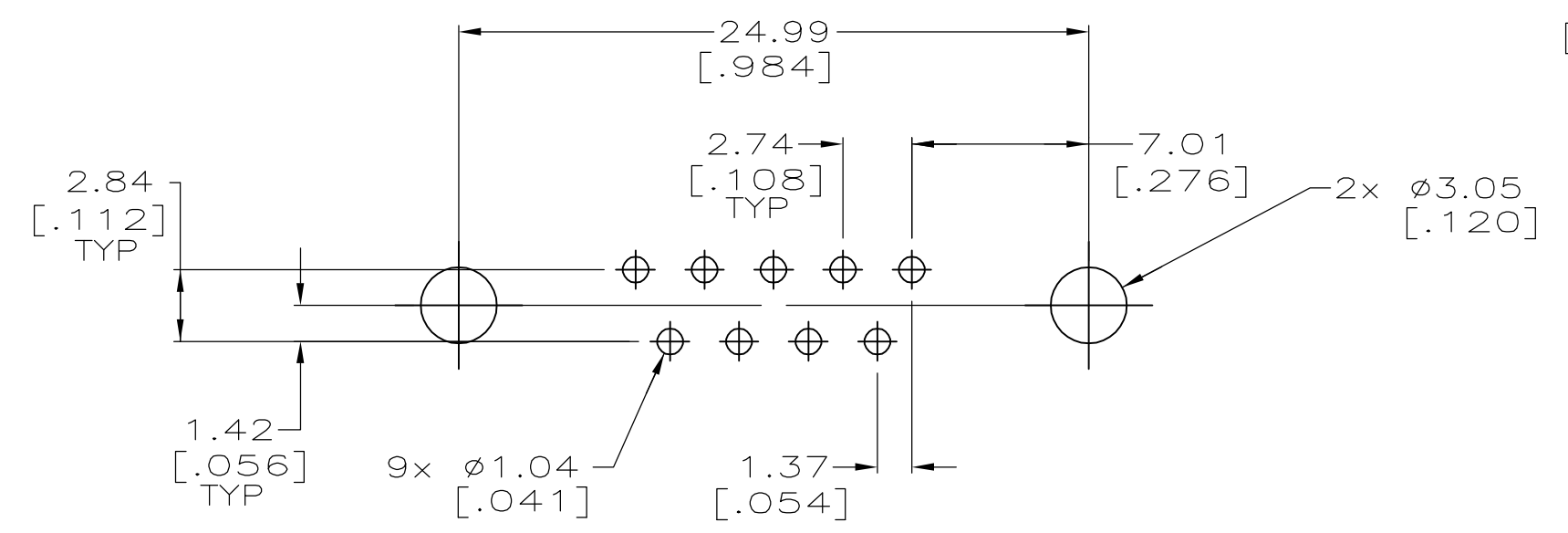
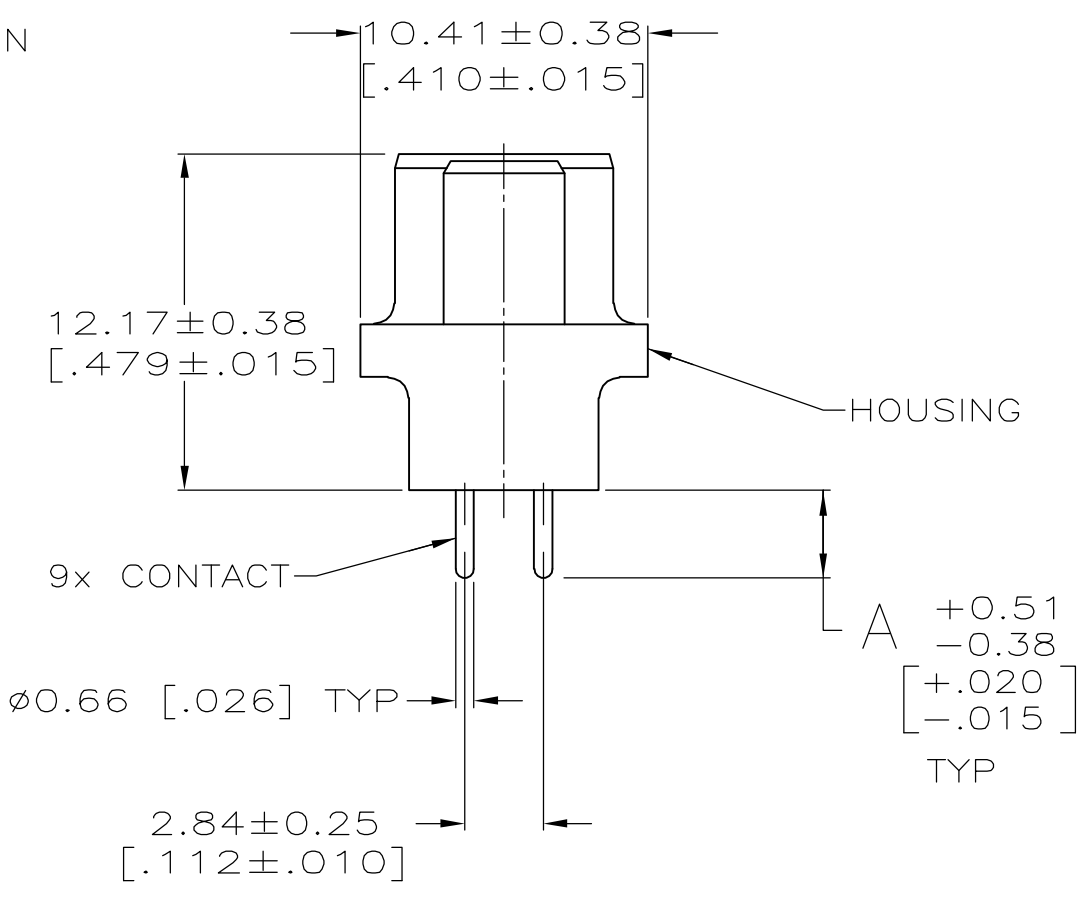
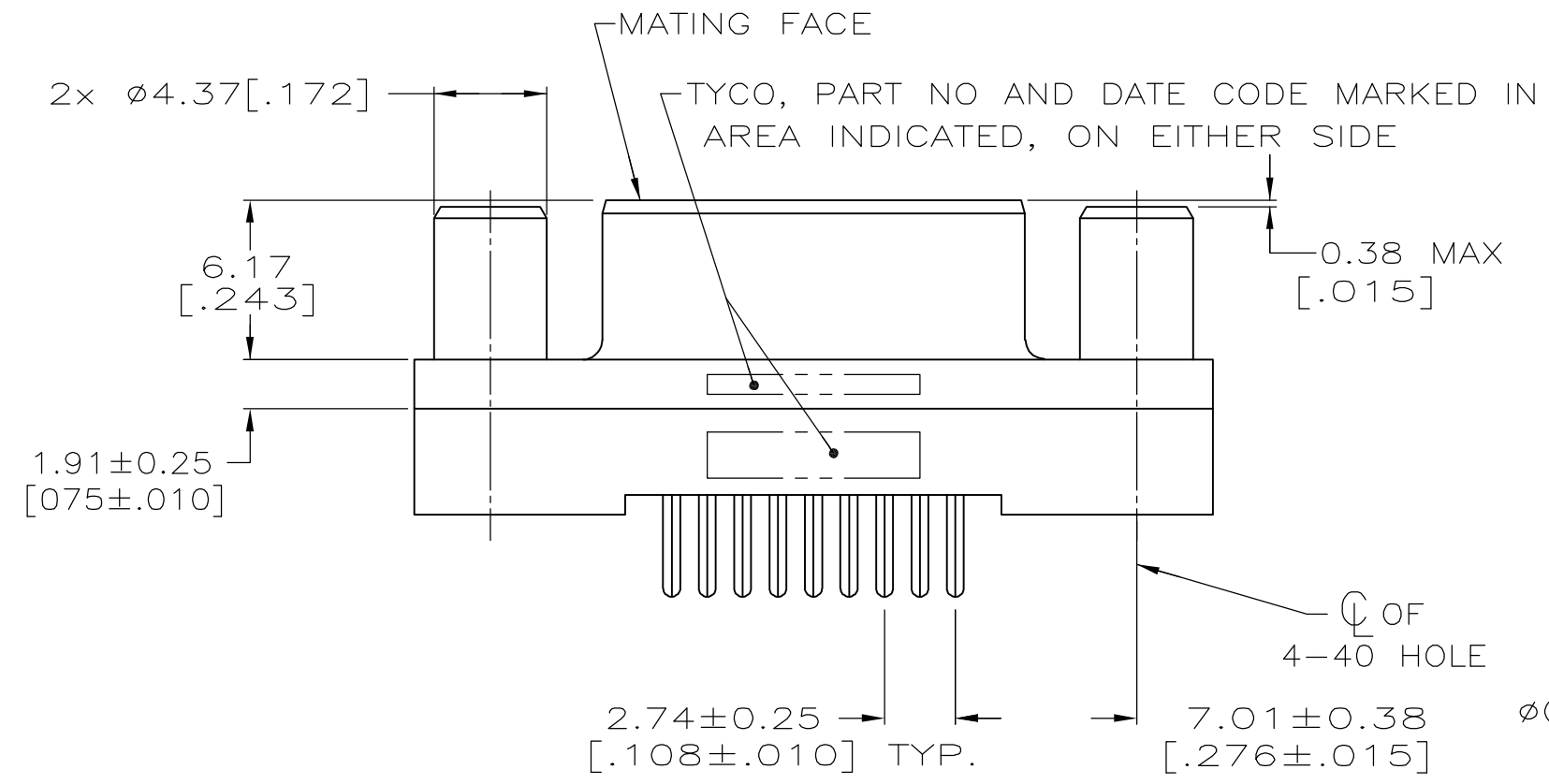
Jameco Part Number 1974798

THIS DRAWING IS UNPUBLISHED. RELEASED FOR PUBLICATION  
 © COPYRIGHT BY TYCO ELECTRONICS CORPORATION. ALL RIGHTS RESERVED.

LOC	DIST	REVISIONS			
P	LTR	DESCRIPTION	DATE	OWN	APVD
GP	00	0	RELEASED PER EC 0513-0087-05	13SEP05	GP JG



- 1 HOUSING: BLACK POLYESTER, UL 94V-0 RATED. CONTACTS: PHOSPHOR BRONZE. SCREWLOCKS: BRASS.
- 2 CONTACTS: SEE TABLE. SCREWLOCKS: 1.27µm [.000050] MIN NICKEL OVER COPPER FLASH.
- 3 GOLD FLASH FOR A LENGTH OF 2.54 [.100] MIN FROM MATING END, 2.54µm [.000100] MIN TIN ON OPPOSITE END, ALL OVER 1.27µm [.000050] MIN NICKEL.
- 4 0.76µm [.000030] MIN GOLD FOR A LENGTH OF 2.54 [.100] MIN FROM MATING END, 2.54µm [.000100] MIN TIN ON OPPOSITE END, ALL OVER 1.27µm [.000050] MIN NICKEL.



RECOMMENDED PC BOARD MOUNTING DIMENSIONS

**COPYRIGHT 2005  
 TYCO ELECTRONICS CORP  
 ALL RIGHTS RESERVED**

4.32 [.170]	4	5745076-6
3.18 [.125]	4	5745076-4
3.18 [.125]	3	5745076-3
A	CONTACT FINISH	PART NO

THIS DRAWING IS A CONTROLLED DOCUMENT.		DWN	13SEP05	Tyco Electronics Corporation	
DIMENSIONS: mm [INCHES]		CHK	13SEP05	Harrisburg, PA 17105-3608	
TOLERANCES UNLESS OTHERWISE SPECIFIED:		APVD	13SEP05	NAME	
0 PLC	± -	M.WALMSLEY		RECEPTACLE ASSEMBLY, SIZE 1,	
1 PLC	± -	PRODUCT SPEC		9 POSN, VERTICAL,	
2 PLC	± 0.13 [.005]	APPLICATION SPEC		AMPLIMITE HD-20	
3 PLC	± -	SIZE	CAGE CODE	DRAWING NO	RESTRICTED TO
4 PLC	± - ± 2'	A2	00779	5745076	-
MATERIAL	FINISH	WEIGHT	SCALE		SHEET
1	2	-	4:1		1 OF 1
CUSTOMER DRAWING			REV		0