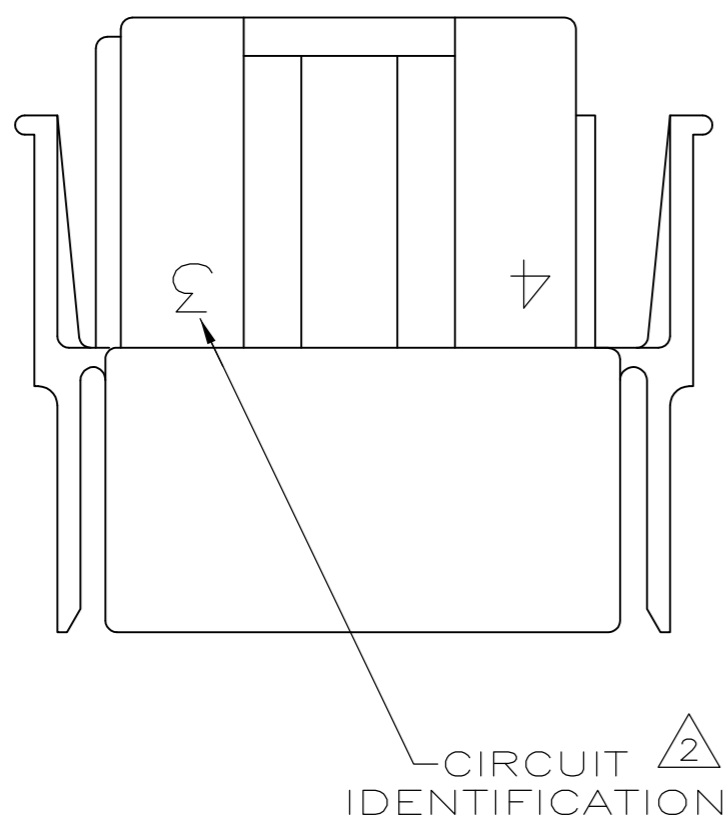
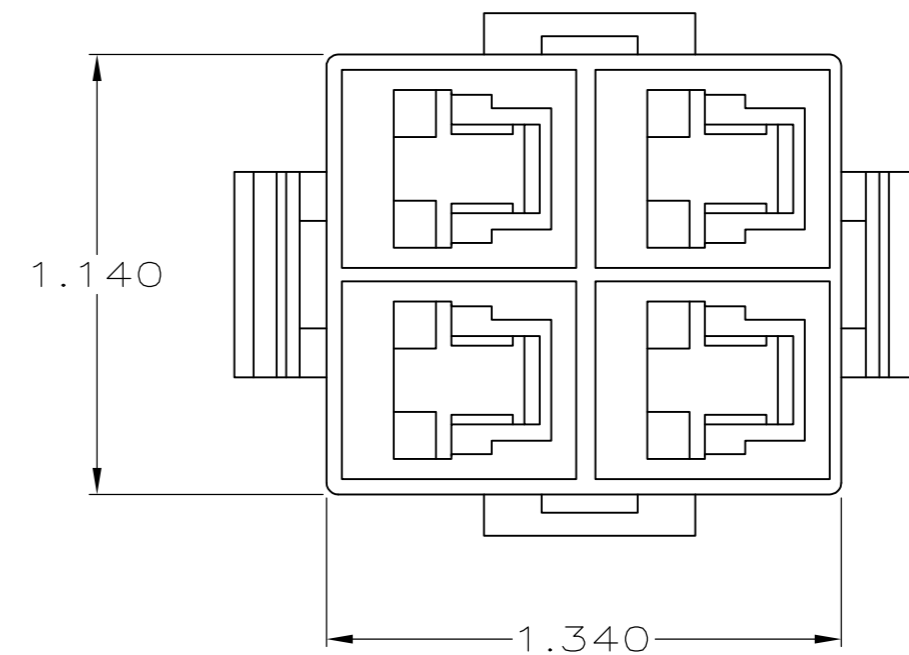
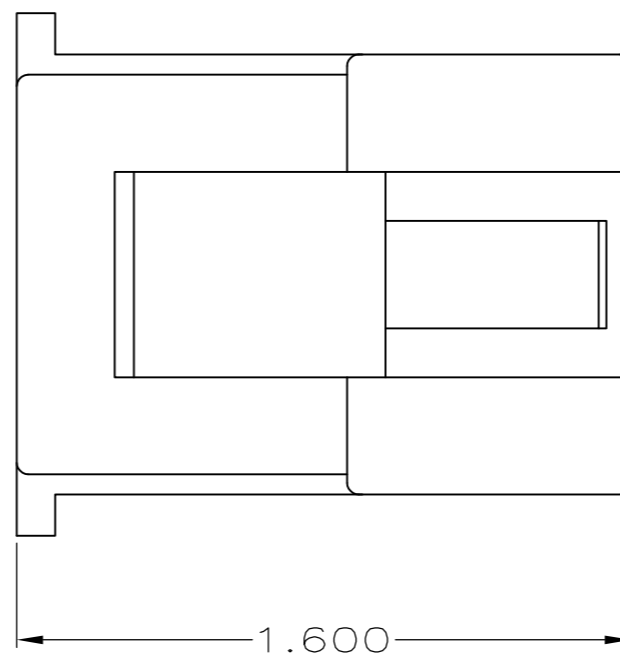
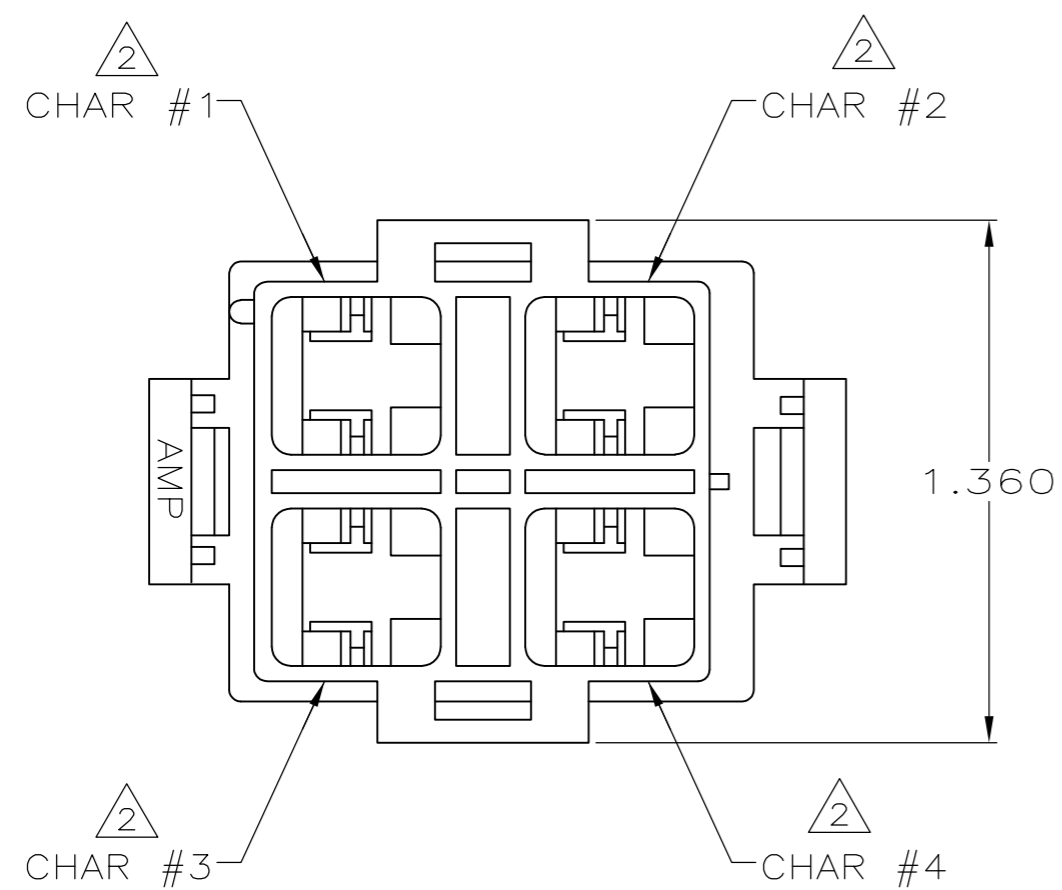


THIS DRAWING IS UNPUBLISHED. RELEASED FOR PUBLICATION
 © COPYRIGHT BY TYCO ELECTRONICS CORPORATION. ALL RIGHTS RESERVED.

LOC		DIST		REVISIONS			
P	LTR	DESCRIPTION		DATE	DWN	APVD	
	N	ADDED -3, ECN 0G3-0109-99		23SEP99	SW	RB	
	N1	REVISED PER ECO-09-021826		09JAN10	KK	AEG	



- 1. ACCEPTS TERMINALS 350650 AND 350651.
- ② CHARACTERS 3 AND 4 MARKED ON NEAR SURFACE AS SHOWN, CHARACTERS 1 AND 2 MARKED ON OPPOSITE SIDE.
- ③ NYLON, 94V-0 RATED, BRICK RED.
- ④ NYLON, 94V-2 RATED, BLACK.
- ⑤ OBSOLETE PARTS: OBSOLETE CIS STREAMLINING PER D.RENAUD/D.SINISI

⑤ OBSOLETE	②	④	643267-3
	②	③	643267-1
CIRCUIT IDENTIFICATION		MAT'L	PART NUMBER

THIS DRAWING IS A CONTROLLED DOCUMENT.		DWN	R.SHIREY	05/15/91	Tyco Electronics Corporation Harrisburg, PA 17105-3608		
DIMENSIONS: mm		CHK	R.STONE	5-22-91	NAME		
TOLERANCES UNLESS OTHERWISE SPECIFIED:		APVD	R.WALTER	5-22-91	CAP, HIGH CURRENT, 4 CIRCUIT		
0 PLC ± -		PRODUCT SPEC	-				
1 PLC ± -		APPLICATION SPEC	-				
2 PLC ± -		WEIGHT	-				
3 PLC ± .015		SCALE	A2 00779		C=643267	RESTRICTED TO	
4 PLC ± -		CUSTOMER DRAWING	SCALE 2:1		SHEET 1 of 1	REV N1	
ANGLES ± -							
FINISH -							
MATERIAL SEE TABLE							