

Distributed by:

**JAMECO**<sup>®</sup>  
ELECTRONICS

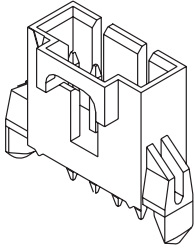
**www.Jameco.com ♦ 1-800-831-4242**

The content and copyrights of the attached  
material are the property of its owner.

Jameco Part Number 1976291

# 2.54mm (.100") Pitch SL™ Wire-to-Board Shrouded Header

**70545**  
Single Row, .120" Pocket  
Vertical, Tri-Peg



### Features and Benefits

- Size 2 to 25 circuits
- PCB locks hold header in place until permanently soldered
- Locking crown secures positive latch to header
- Polarization slots guide front ribs of mating connector to prevent pin damage
- Standoffs minimize flux retention

### Reference Information

Product Specification: PS-70541  
Packaging: Tube  
UL File No.: E29179  
CSA File No.: LR19980  
Mates With: 70066G, 70066N, 70400G and 70430G  
Designed In: Inches

### Electrical

Voltage: 250V  
Current: 3.0A  
Contact Resistance: 15 milliohms max.  
Dielectric Withstanding Voltage: 1500V  
Insulation Resistance: 10,000 Megohms min.

### Mechanical

Insertion Force to PCB: 44.50N (10 lb)  
Durability: Tin—25 cycles; Gold—50 cycles

### Physical

Housing: Black polyester, UL 94V-0  
Contact: Copper Alloy  
Plating: See Table  
Operating Temperature: -40 to +105°C

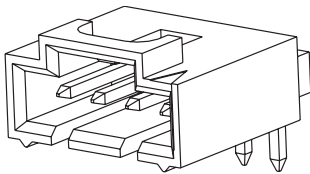
Not For Use With C-Grid III™ Components

Circuits	Order No.			Lead-free
	150µm Tin	15µm Gold	30µm Gold	
2	<a href="#">70545-0001</a>	<a href="#">70545-0036</a>	<a href="#">70545-0071</a>	Yes
3	<a href="#">70545-0002</a>	<a href="#">70545-0037</a>	<a href="#">70545-0072</a>	
4	<a href="#">70545-0003</a>	<a href="#">70545-0038</a>	<a href="#">70545-0073</a>	
5	<a href="#">70545-0004</a>	<a href="#">70545-0039</a>	<a href="#">70545-0074</a>	
6	<a href="#">70545-0005</a>	<a href="#">70545-0040</a>	<a href="#">70545-0075</a>	
7	<a href="#">70545-0006</a>	<a href="#">70545-0041</a>	<a href="#">70545-0076</a>	
8	<a href="#">70545-0007</a>	<a href="#">70545-0042</a>	<a href="#">70545-0077</a>	
9	<a href="#">70545-0008</a>	<a href="#">70545-0043</a>	<a href="#">70545-0078</a>	
10	<a href="#">70545-0009</a>	<a href="#">70545-0044</a>	<a href="#">70545-0079</a>	
11	<a href="#">70545-0010</a>	<a href="#">70545-0045</a>	<a href="#">70545-0080</a>	
12	<a href="#">70545-0011</a>	<a href="#">70545-0046</a>	<a href="#">70545-0081</a>	
13	<a href="#">70545-0012</a>	<a href="#">70545-0047</a>	<a href="#">70545-0082</a>	

Circuits	Order No.			Lead-free
	150µm Tin	15µm Gold	30µm Gold	
14	<a href="#">70545-0013</a>	<a href="#">70545-0048</a>	<a href="#">70545-0083</a>	Yes
15	<a href="#">70545-0014</a>	<a href="#">70545-0049</a>	<a href="#">70545-0084</a>	
16	<a href="#">70545-0015</a>	<a href="#">70545-0050</a>	<a href="#">70545-0085</a>	
17	<a href="#">70545-0016</a>	<a href="#">70545-0051</a>	<a href="#">70545-0086</a>	
18	<a href="#">70545-0017</a>	<a href="#">70545-0052</a>	<a href="#">70545-0087</a>	
19	<a href="#">70545-0018</a>	<a href="#">70545-0053</a>	<a href="#">70545-0088</a>	
20	<a href="#">70545-0019</a>	<a href="#">70545-0054</a>	<a href="#">70545-0089</a>	
21	<a href="#">70545-0020</a>	<a href="#">70545-0055</a>	<a href="#">70545-0090</a>	
22	<a href="#">70545-0021</a>	<a href="#">70545-0056</a>	<a href="#">70545-0091</a>	
23	<a href="#">70545-0022</a>	<a href="#">70545-0057</a>	<a href="#">70545-0092</a>	
24	<a href="#">70545-0023</a>	<a href="#">70545-0058</a>	<a href="#">70545-0093</a>	
25	<a href="#">70545-0024</a>	<a href="#">70545-0059</a>	<a href="#">70545-0094</a>	

# 2.54mm (.100") Pitch SL™ Wire-to-Board Shrouded Header

**70553**  
Single Row, .120" Pocket  
Right Angle, Low Profile



### Features and Benefits

- Sizes 2 to 25 circuits
- Locking crown secures positive latch to header
- Polarization slots guide front ribs of mating connector to prevent pin damage
- Standoffs minimize flux retention

### Reference Information

Product Specification: PS-70541  
Packaging: Tube  
UL File No.: E29179  
CSA File No.: LR19980  
Mates With: 70066G, 70066N, 70400G and 70430G  
Designed In: Inches

### Electrical

Voltage: 250V  
Current: 3.0A  
Contact Resistance: 15 milliohms max.  
Dielectric Withstanding Voltage: 1500V  
Insulation Resistance: 10,000 Megohms min.

### Mechanical

Durability: Tin—25 cycles; Gold—50 cycles

### Physical

Housing: Black polyester, UL 94V-0  
Contact: Copper Alloy  
Plating: See Table  
Operating Temperature: -40 to +105°C

Not For Use With C-Grid III™ Components

Circuits	Order No.			Lead-free
	150µm Tin	15µm Gold	30µm Gold	
2	<a href="#">70553-0036</a>	<a href="#">70553-0001</a>	<a href="#">70553-0106</a>	Yes
3	<a href="#">70553-0037</a>	<a href="#">70553-0002</a>	<a href="#">70553-0107</a>	
4	<a href="#">70553-0038</a>	<a href="#">70553-0003</a>	<a href="#">70553-0108</a>	
5	<a href="#">70553-0039</a>	<a href="#">70553-0004</a>	<a href="#">70553-0109</a>	
6	<a href="#">70553-0040</a>	<a href="#">70553-0005</a>	<a href="#">70553-0110</a>	
7	<a href="#">70553-0041</a>	<a href="#">70553-0006</a>	<a href="#">70553-0111</a>	
8	<a href="#">70553-0042</a>	<a href="#">70553-0007</a>	<a href="#">70553-0112</a>	
9	<a href="#">70553-0043</a>	<a href="#">70553-0008</a>	<a href="#">70553-0113</a>	
10	<a href="#">70553-0044</a>	<a href="#">70553-0009</a>	<a href="#">70553-0114</a>	
11	<a href="#">70553-0045</a>	<a href="#">70553-0010</a>	<a href="#">70553-0115</a>	
12	<a href="#">70553-0046</a>	<a href="#">70553-0011</a>	<a href="#">70553-0116</a>	
13	<a href="#">70553-0047</a>	<a href="#">70553-0012</a>	<a href="#">70553-0117</a>	

Circuits	Order No.			Lead-free
	150µm Tin	15µm Gold	30µm Gold	
14	<a href="#">70553-0048</a>	<a href="#">70553-0013</a>	<a href="#">70553-0118</a>	Yes
15	<a href="#">70553-0049</a>	<a href="#">70553-0014</a>	<a href="#">70553-0119</a>	
16	<a href="#">70553-0050</a>	<a href="#">70553-0015</a>	<a href="#">70553-0120</a>	
17	<a href="#">70553-0051</a>	<a href="#">70553-0016</a>	<a href="#">70553-0121</a>	
18	<a href="#">70553-0052</a>	<a href="#">70553-0017</a>	<a href="#">70553-0122</a>	
19	<a href="#">70553-0053</a>	<a href="#">70553-0018</a>	<a href="#">70553-0123</a>	
20	<a href="#">70553-0054</a>	<a href="#">70553-0019</a>	<a href="#">70553-0124</a>	
21	<a href="#">70553-0055</a>	<a href="#">70553-0020</a>	<a href="#">70553-0125</a>	
22	<a href="#">70553-0056</a>	<a href="#">70553-0021</a>	<a href="#">70553-0126</a>	
23	<a href="#">70553-0057</a>	<a href="#">70553-0022</a>	<a href="#">70553-0127</a>	
24	<a href="#">70553-0058</a>	<a href="#">70553-0023</a>	<a href="#">70553-0128</a>	
25	<a href="#">70553-0059</a>	<a href="#">70553-0024</a>	<a href="#">70553-0129</a>	



# PRODUCT SPECIFICATION

## PRODUCT SPECIFICATION FOR SINGLE ROW, HIGH TEMPERATURE “SL” HEADER SYSTEM

### 1.0 SCOPE

This Product Specification covers the .100/(2.54 mm) grid, single row, fully shrouded, “SL” header system.

### 2.0 PRODUCT DESCRIPTION

#### 2.1 PRODUCT NAME AND SERIES NUMBER(S)

- 70541 Straight Mount Header, with active latch and PC board snaps
- 70543 Straight Mount Header, with active latch
- 70545 Straight Mount Header, with active latch and PC board retention tri-pegs
- 70546 Straight Mount Header, low profile with PC board retention tri-pegs
- 70551 Right Angle Mount Header, with active latch and PC board snaps
- 70553 Right Angle Mount Header, with active latch
- 70555 Right Angle Mount Header, with active latch and PC board retention tri-pegs
- 70556 Right Angle Mount Header, low profile with PC board retention tri-pegs
- 70563 Straight Mount Header, with active latch
- 70564 Straight Mount Header, low profile
- 70566 Straight Mount Header, low profile with PC board retention tri-pegs
- 70571 Right Angle Mount Header, with active latch and PC board snaps
- 70575 Right Angle Mount Header, with active latch and PC board retention tri-peg
- 70634 Right Angle Mount SMT Header, with active latch and PC board retention tri-peg
- 71164 Straight Mount & Right Angle Headers, with voided circuits
- 74098 Right Angle Mount SMT Header, with active latch and PC board snaps
- 74099 Straight Mount SMT Header, with active latch, and some with Pick & Place Cap
- 74105 Right Angle SMT Header, with active latch

#### 2.2 DIMENSIONS, MATERIALS, PLATINGS AND MARKINGS

##### 2.2.1 Pin Height

2.2.1.1 Maximum pin height: .320/(8.13mm)

2.2.1.2 Minimum pin height: .200/(5.08mm)

2.2.2 Centerline spacing (pitch): .100/(2.54mm)

##### 2.2.3 Termination Method:

2.2.3.1 Thru Hole: Wave Solder

2.2.3.2 SMT: Reflow

REVISION: <b>B</b>	ECR/ECN INFORMATION: EC No: <b>UCP2009-0287</b> DATE: <b>2008 / 08 / 01</b>	TITLE: <b>ASSEMBLY CONNECTOR SL SHROUDED HEADER .100/(2.54) GRID: FAMILY INDEX</b>	SHEET No. <b>1 of 4</b>
DOCUMENT NUMBER: <b>PS-70541</b>	CREATED / REVISED BY: <b>EIK/MIBARRA</b>	CHECKED BY: <b>DMORGAN</b>	APPROVED BY: <b>SMILLER</b>



# PRODUCT SPECIFICATION

**2.2.4** Housings: Black Glass Filled Polyester, UL 94V-0

**2.2.5** Pins: Phosphor Bronze

**2.2.6** Plating: Gold and Tin

**2.2.6.1** Gold: 30 microinches/0.76 micrometers minimum Gold in select area  
75 microinches/1.91 micrometers minimum Tin in select area  
Over Nickel underplate overall

or

Gold: 15 microinches/0.38 micrometers minimum Gold in select area  
75 microinches/1.91 micrometers minimum Tin in select area  
Over Nickel underplate overall

**2.2.6.2** Tin: 150 microinches/3.80 micrometers minimum Tin over Nickel underplate overall

**2.2.7** Recommended PC Board thickness: .062/(1.57mm)

See the appropriate Sales Drawing(s) for additional information on dimensions and markings.

## 2.3 SAFETY AGENCY APPROVALS

**2.3.1** Underwriters Laboratory: UL# E29179

**2.3.2** Canadian Standards Association: CSA# LR19980

## 3.0 APPLICABLE DOCUMENTS AND SPECIFICATIONS

All documents referenced shall be of the latest revision. The order of precedence shall be as follows.

- Product Drawings
- This Product Specification
- Reference Documents

### 3.1 REFERENCE DOCUMENTS

- EIA-364: Electronic Industries Association, Recommended Standard
- MIL-STD-202: Test methods for electronics and electrical component parts
- IEC 68-2-14 and IEC 68-2-42
- UL-94: Tests for flammability of plastic material

## 4.0 RATINGS

### 4.1 VOLTAGE

250 Volts

### 4.2 TEMPERATURE

3.0 Amps Maximum

### 4.3 TEMPERATURE

Operating Temperature: - 40°C to + 105°C

Processing Temperature: 260°C Maximum for Thru Hole Wave solder only

245°C Maximum for IR reflow SMT and Thru Hole Paste

<b>REVISION:</b> <b>B</b>	<b>ECR/ECN INFORMATION:</b> EC No: <b>UCP2009-0287</b> DATE: <b>2008 / 08 / 01</b>	<b>TITLE:</b> <b>ASSEMBLY CONNECTOR SL SHROUDED HEADER .100/(2.54) GRID: FAMILY INDEX</b>	<b>SHEET No.</b> <b>2 of 4</b>
<b>DOCUMENT NUMBER:</b> <b>PS-70541</b>	<b>CREATED / REVISED BY:</b> <b>EIK/MIBARRA</b>	<b>CHECKED BY:</b> <b>DMORGAN</b>	<b>APPROVED BY:</b> <b>SMILLER</b>



# PRODUCT SPECIFICATION

## 5.0 PERFORMANCE

### 5.1 ELECTRICAL REQUIREMENTS

ITEM	DESCRIPTION	TEST CONDITION	REQUIREMENT
1	<b>Insulation Resistance</b>	Per MIL-STD-202, Method 302, Condition B. Resistance measured after sequences 5.2.1 thru 5.2.4.	<b>10000</b> Megohms MINIMUM
2	<b>Dielectric Withstanding Voltage</b>	AC Voltage increased until breakdown. Per MIL-STD-202, Method 302, Condition B. Voltage measured after sequences 5.2.1 thru 5.2.4	600V AC RMS MINIMUM for 1 minute at sea level to 5,000 feet.

### 5.2 MECHANICAL REQUIREMENTS

ITEM	DESCRIPTION	TEST CONDITION	REQUIREMENT
3	<b>Terminal Retention Force (in Housing)</b>	Axial pullout force on the terminal in the housing at a rate of $1 \pm \frac{1}{4}$ inch ( $25 \pm 6$ mm) per minute.	<b>17.79 N (4 lbf)</b> MINIMUM retention force
4	<b>Tri-Peg Insertion Force (in PCB)</b>	Recommended Hole size $.134 \pm .002$ inch ( $3.50 \pm 0.05$ mm). Insert connector at a rate of $1 \pm \frac{1}{4}$ inch ( $25 \pm 6$ mm) per minute.	<b>44.48 N (10 lbf)</b> MAXIMUM insertion force
5	<b>Tri-Peg Retention Force (in PCB)</b>	Recommended Hole size $.134 \pm .002$ inch ( $3.50 \pm 0.05$ mm). Pull connector at a rate of $1 \pm \frac{1}{4}$ inch ( $25 \pm 6$ mm) per minute.	<b>4.45 N (1 lbf)</b> MINIMUM retention force
6	<b>Board Snap Insertion Force (in PCB)</b>	Recommended Hole size $.134 \pm .002$ inch ( $3.50 \pm 0.05$ mm). Insert connector at a rate of $1 \pm \frac{1}{4}$ inch ( $25 \pm 6$ mm) per minute.	<b>44.48 N (10 lbf)</b> MAXIMUM insertion force
7	<b>Board Snap Retention Force (in PCB)</b>	Recommended Hole size $.134 \pm .002$ inch ( $3.50 \pm 0.05$ mm). Pull connector at a rate of $1 \pm \frac{1}{4}$ inch ( $25 \pm 6$ mm) per minute.	<b>20 N (4.5 lbf)</b> MINIMUM retention force

REVISION: <b>B</b>	ECR/ECN INFORMATION: EC No: <b>UCP2009-0287</b> DATE: <b>2008 / 08 / 01</b>	TITLE: <b>ASSEMBLY CONNECTOR SL SHROUDED HEADER .100/(2.54) GRID: FAMILY INDEX</b>	SHEET No. <b>3 of 4</b>
DOCUMENT NUMBER: <b>PS-70541</b>	CREATED / REVISED BY: <b>EIK/MIBARRA</b>	CHECKED BY: <b>DMORGAN</b>	APPROVED BY: <b>SMILLER</b>



# PRODUCT SPECIFICATION

## 5.3 ENVIRONMENTAL REQUIREMENT

Un-mated Environment

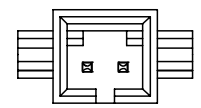
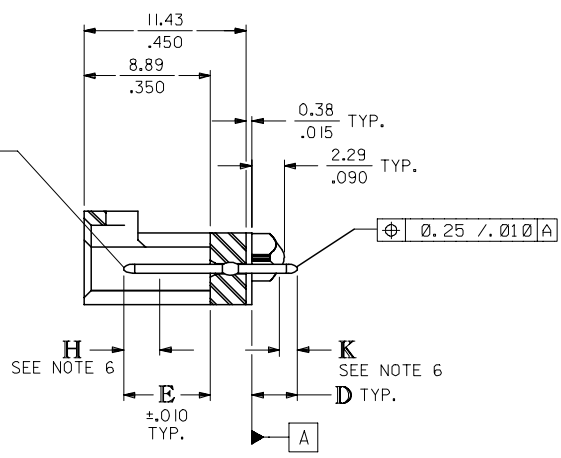
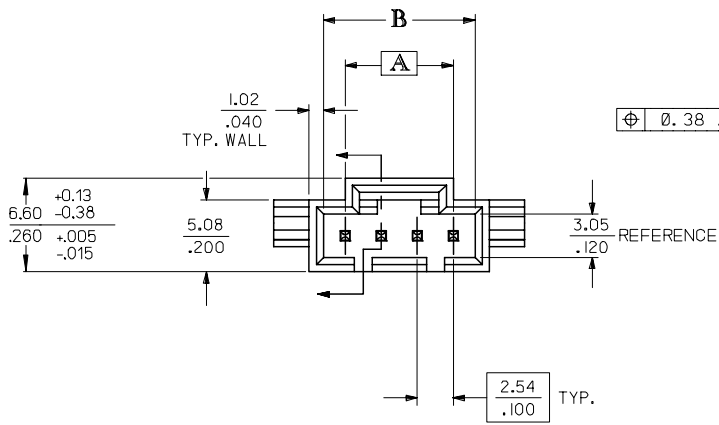
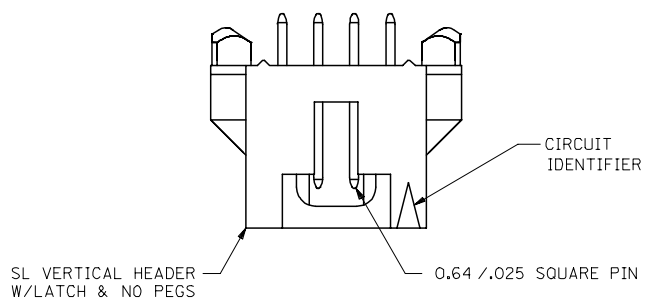
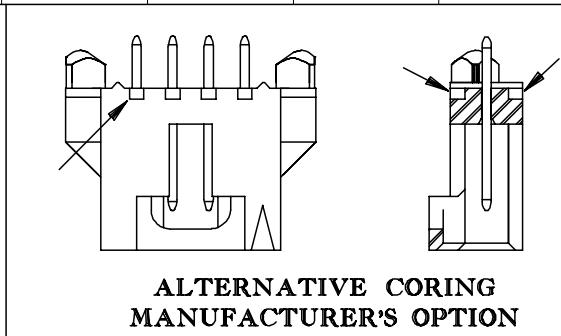
ITEM	DESCRIPTION	TEST CONDITION	REQUIREMENT						
8	Shock (Thermal)	Expose to 10 cycles of: <table border="1"> <thead> <tr> <th>Temperature °C</th> <th>Duration (Minutes)</th> </tr> </thead> <tbody> <tr> <td>-40 +0/-3</td> <td>30</td> </tr> <tr> <td>+105 +3/-0</td> <td>30</td> </tr> </tbody> </table> Per IEC 68-2-14.	Temperature °C	Duration (Minutes)	-40 +0/-3	30	+105 +3/-0	30	Visual: No Damage
Temperature °C	Duration (Minutes)								
-40 +0/-3	30								
+105 +3/-0	30								
9	Thermal Aging	Expose to: 240 hours at 105 ± 2°C Per MIL-STD-202F Method 108A.	Visual: No Damage						
10	Humidity (Steady State)	Expose to temperature of 40 ± 3°C at 96 ± 5% relative humidity for 240 hours. Per MIL-STD-202F Method 108A Test Condition A.	Visual: No Damage						
11	Flowers of Sulphur	Exposed to sulphur vapors for 24 hours at 65 ± 3°C. Per IEC 68-2-42.	Visual: No Damage						

## 6.0 PACKAGING

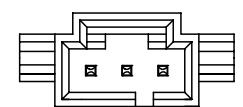
Parts are packaged to protect against damage during handling, transit, and storage. Connector housing assemblies are packaged in plastic tubes in the "pre-loaded" condition.

REVISION: <b>B</b>	ECR/ECN INFORMATION: EC No: UCP2009-0287 DATE: 2008 / 08 / 01	TITLE: <b>ASSEMBLY CONNECTOR SL SHROUDED HEADER .100/(2.54) GRID: FAMILY INDEX</b>	SHEET No. <b>4 of 4</b>
DOCUMENT NUMBER: <b>PS-70541</b>	CREATED / REVISED BY: <b>EIK/MIBARRA</b>	CHECKED BY: <b>DMORGAN</b>	APPROVED BY: <b>SMILLER</b>

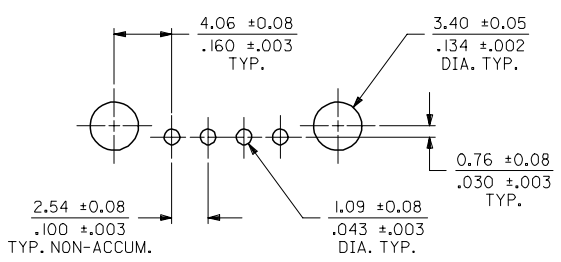
CKT. SIZE	DIM. "A"		DIM. "B"	
	MM	IN.	MM	IN.
2	2.54	.100	5.33±0.08	.210±.003
3	5.08	.200	8.13±0.10	.320±.004
4	7.62	.300	10.67±0.10	.420±.004
5	10.16	.400	13.21±0.10	.520±.004
6	12.70	.500	15.75±0.10	.620±.004
7	15.24	.600	18.29±0.10	.720±.004
8	17.78	.700	20.83±0.10	.820±.004
9	20.32	.800	23.37±0.10	.920±.004
10	22.86	.900	25.91±0.13	1.020±.005
11	25.40	1.000	28.45±0.13	1.120±.005
12	27.94	1.100	30.99±0.13	1.220±.005
13	30.48	1.200	33.53±0.13	1.320±.005
14	33.02	1.300	36.07±0.13	1.420±.005
15	35.56	1.400	38.61±0.15	1.520±.006
16	38.10	1.500	41.15±0.15	1.620±.006
17	40.64	1.600	43.69±0.15	1.720±.006
18	43.18	1.700	46.23±0.15	1.820±.006
19	45.72	1.800	48.77±0.18	1.920±.007
20	48.26	1.900	51.31±0.18	2.020±.007
21	50.80	2.000	53.85±0.18	2.120±.007
22	53.34	2.100	56.39±0.18	2.220±.007
23	55.88	2.200	58.93±0.18	2.320±.007
24	58.42	2.300	61.47±0.18	2.420±.007
25	60.96	2.400	64.01±0.20	2.520±.008



**2 CIRCUIT**



**3 CIRCUIT**



**RECOMMENDED PC BOARD LAYOUT**

(FOR USE WITH 1.57 / .062 THICK BOARD)

- NOTES:
- HEADER MATERIAL: GLASS FILLED POLYESTER, UL94V-0; COLOR: BLACK  
PIN MATERIAL: PHOSPHOR BRONZE
  - FINISH:  
TIN - 0.00381/0.000150 MIN TIN PLATE  
OVER 0.00127/0.000050 MIN NICKEL PLATE  
15 GOLD - 0.00038/0.000015 MIN GOLD PLATE IN SELECT AREA,  
0.00191/0.000075 MIN TIN PLATE IN SELECT AREA,  
OVER 0.00127/0.000050 MIN NICKEL PLATE OVERALL.  
30 GOLD - 0.00076/0.000030 MIN GOLD PLATE IN SELECT AREA,  
0.00191/0.000075 MIN TIN PLATE IN SELECT AREA,  
OVER 0.00127/0.000050 MIN NICKEL PLATE OVERALL.  
\* THE PRIMARY SHIPPING CARTON WILL BE LABELED "COMPLIANT TO RoHS DIRECTIVE 2002/95/EC AND ELV ANNEX II OF DIRECTIVE 2000/53/EC," CARTONS WITHOUT THIS LABEL MAY CONTAIN PRODUCT WITH LEAD.
  - PRODUCT SPECIFICATION: PS-70541
  - PACKAGING SPECIFICATION: PK-70873-0014
  - HEADER TO BE USED WITH OPTION "G" 70400 AND 70430 SERIES SL CONNECTORS.
  - MEASURE POINT FOR PLATING THICKNESS.

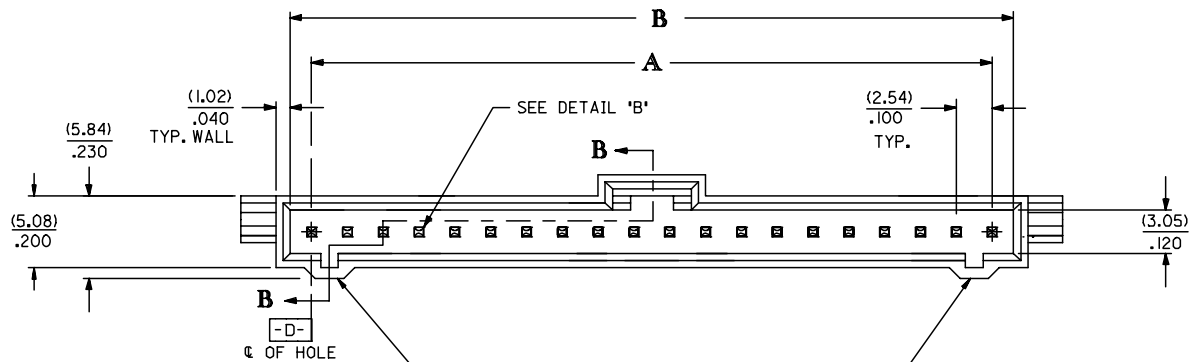
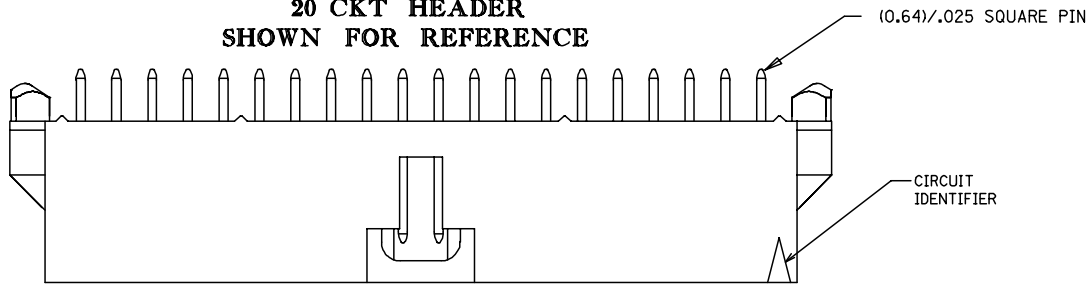
CLARIFY DIM. FC NO: UCP2007-12/16 DRAWN: SIBARRA 2006/11/28 CHKD: BORGAN 2006/12/04 APPR: MILLER 2006/12/05	QUALITY SYMBOLS ▽=0 ▽=0	GENERAL TOLERANCES (UNLESS SPECIFIED)		DIMENSION STYLE MM/IN		SCALE 4:1	DESIGN UNITS INCH	THIRD ANGLE PROJECTION
		mm	INCH	DRAWN BY AAB	DATE 05/12/93	TITLE SALES ASSY, SL VERTICAL HEADER W/LATCH&TRI-PEGS (2.54)/.100 CENTERS		
		4 PLACES ± --- ± ---	± .005	CHECKED BY MJM	DATE 05/12/93	MOLEX INCORPORATED		
		3 PLACES ± --- ± ---	± .01	APPROVED BY WAZ	DATE 05/12/93	DOCUMENT NO. SDA-70545-****		SHEET NO. 1 OF 4
		2 PLACES ± 0.13 ± 0.1	± .01	MATERIAL NO.				
		1 PLACE ± 0.25 ± ---	± ---	SIZE C		THIS DRAWING CONTAINS INFORMATION THAT IS PROPRIETARY TO MOLEX INCORPORATED AND SHOULD NOT BE USED WITHOUT WRITTEN PERMISSION		
		ANGULAR ±1/2°		SEE CHART				
		DRAFT WHERE APPLICABLE MUST REMAIN WITHIN DIMENSIONS						

4	G1
3	H
2	F1
1	J
SHT/REV	

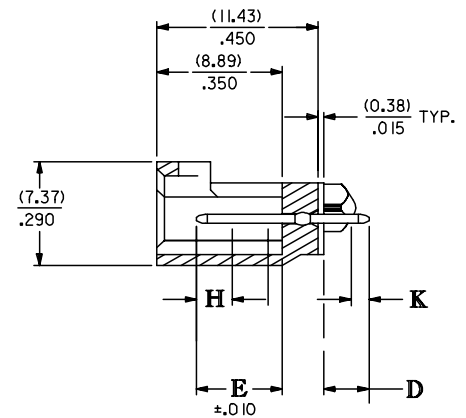
# OPTIONAL HOUSING

## WEBBED KEYING FEATURES

20 CKT HEADER  
SHOWN FOR REFERENCE



WEBBED KEYING FEATURES



### SECTION B-B

UPDATE TITLE BLOCK EC NO: UCP2006-0202 DRAWN: JLOWE 2005/08/05 CHKD: ADERR 2005/08/05 APPR: FSMITH 2005/08/09 REVISION DESCRIPTION	QUALITY SYMBOLS	GENERAL TOLERANCES (UNLESS SPECIFIED) <table border="1"> <thead> <tr> <th></th> <th>mm</th> <th>INCH</th> </tr> </thead> <tbody> <tr> <td>4 PLACES</td> <td>± .13</td> <td>± .005</td> </tr> <tr> <td>3 PLACES</td> <td>± .13</td> <td>± .01</td> </tr> <tr> <td>2 PLACES</td> <td>± 0.25</td> <td>± .01</td> </tr> <tr> <td>1 PLACE</td> <td>± 0.25</td> <td>± .01</td> </tr> <tr> <td colspan="3">ANGULAR ±1/2°</td> </tr> </tbody> </table>		mm	INCH	4 PLACES	± .13	± .005	3 PLACES	± .13	± .01	2 PLACES	± 0.25	± .01	1 PLACE	± 0.25	± .01	ANGULAR ±1/2°			DIMENSION STYLE MM/IN	SCALE ---	DESIGN UNITS INCH	THIRD ANGLE PROJECTION
			mm	INCH																				
	4 PLACES		± .13	± .005																				
	3 PLACES		± .13	± .01																				
2 PLACES	± 0.25	± .01																						
1 PLACE	± 0.25	± .01																						
ANGULAR ±1/2°																								
DRAWN BY WGM	DATE 07/10/96	TITLE SALES ASSY, SL VERTICAL HEADER W/LATCH&TRI-PEGS (2.54)/.100 CENTERS																						
CHECKED BY WGM	DATE 07/10/96	MOLEX INCORPORATED																						
APPROVED BY WAZ	DATE 07/10/96	MATERIAL NO. SEE CHART																						
DRAFT WHERE APPLICABLE MUST REMAIN WITHIN DIMENSIONS		DOCUMENT NO. SDA-70545-****	SHEET NO. 2 OF 4																					



J	CIRCUIT SIZE	ASSEMBLY ITEM NUMBER 70545	MANUFACTURE RELEASE STATUS				D (± 0.38) ± .015	E (± 0.25) ± .010	CONNECTOR END PLATING			P.C. BOARD END PLATING			J
									TYPE	H MEAS.		TYPE	K MEAS.		
I	2-10	-0001-0009	R.F.M.				(3.30)	(6.10)							I
	11-25	-0010-0024	R.F.M.				.130	.240	TIN	(2.54) .100		TIN	(1.27) .050		
H	2-10	-0036-0044	R.F.M.				(3.30)	(6.10)	15 GOLD	(2.54) .100		TIN	(1.27) .050		H
	11-25	-0045-0059	R.F.M.				.130	.240							
G	2-10	-0071-0079	R.F.M.				(3.30)	(6.10)	30 GOLD	(2.54) .100		TIN	(1.27) .050		G
	11-25	-0080-0094	R.F.M.				.130	.240							
F	2-10	-0141-0149	R.F.M.				(5.21)	(6.10)	15 GOLD	(2.54) .100		TIN	(1.27) .050		F
	11-25	-0150-0164	NOT TOOLED				.205	.240							
E	2-10	-0176-0184	R.F.M.				(5.21)	(6.10)	30 GOLD	(2.54) .100		TIN	(1.27) .050		E
	11-25	-0185-0199	NOT TOOLED				.205	.240							

F	CIRCUIT SIZE	ASSEMBLY ITEM NUMBER	ASSEMBLY ITEM NUMBER	ASSEMBLY ITEM NUMBER	ASSEMBLY ITEM NUMBER	ASSEMBLY ITEM NUMBER
F	2	70545-0001	70545-0036	70545-0071	70545-0141	70545-0176
	3	70545-0002	70545-0037	70545-0072	70545-0142	70545-0177
	4	70545-0003	70545-0038	70545-0073	70545-0143	70545-0178
	5	70545-0004	70545-0039	70545-0074	70545-0144	70545-0179
	6	70545-0005	70545-0040	70545-0075	70545-0145	70545-0180
E	7	70545-0006	70545-0041	70545-0076	70545-0146	70545-0181
	8	70545-0007	70545-0042	70545-0077	70545-0147	70545-0182
	9	70545-0008	70545-0043	70545-0078	70545-0148	70545-0183
	10	70545-0009	70545-0044	70545-0079	70545-0149	70545-0184
	11	70545-0010	70545-0045	70545-0080		
D	12	70545-0011	70545-0046	70545-0081		
	13	70545-0012	70545-0047	70545-0082		
	14	70545-0013	70545-0048	70545-0083		
	15	70545-0014	70545-0049	70545-0084		
	16	70545-0015	70545-0050	70545-0085		
C	17	70545-0016	70545-0051	70545-0086		
	18	70545-0017	70545-0052	70545-0087		
	19	70545-0018	70545-0053	70545-0088		
	20	70545-0019	70545-0054	70545-0089		
	21	70545-0020	70545-0055	70545-0090		
B	22	70545-0021	70545-0056	70545-0091		
	23	70545-0022	70545-0057	70545-0092		
	24	70545-0023	70545-0058	70545-0093		
	25	70545-0024	70545-0059	70545-0094		

B	CHG D DIM -0141-0199 FC NO: UCP2007-0420 DRAWN: JORGAN 2006/09/15 CHKD: MS BARA 2006/09/15 APPR: SMILLER 2006/09/19	QUALITY SYMBOLS ▽=0 ▽=0	GENERAL TOLERANCES (UNLESS SPECIFIED) mm INCH 4 PLACES ± --- ± --- 3 PLACES ± --- ± .005 2 PLACES ± 0.13 ± .01 1 PLACE ± 0.25 ± --- ANGULAR ±1/2°	DIMENSION STYLE MM/IN	DRAWN BY WGM	DATE 07/12/96	TITLE SALES ASSY, SL VERTICAL HEADER W/LATCH&TRI-PEGS (2.54)/.100 CENTERS	SCALE ---	DESIGN UNITS INCH	THIRD ANGLE PROJECTION	SHEET NO. 3 OF 4
					CHECKED BY WGM	DATE 07/12/96		APPROVED BY DJB	DATE 07/12/96	MATERIAL NO.	
A	DRAFT WHERE APPLICABLE MUST REMAIN WITHIN DIMENSIONS			SEE CHART		THIS DRAWING CONTAINS INFORMATION THAT IS PROPRIETARY TO MOLEX INCORPORATED AND SHOULD NOT BE USED WITHOUT WRITTEN PERMISSION					