

Distributed by:

JAMECO[®]
ELECTRONICS

www.Jameco.com ♦ 1-800-831-4242

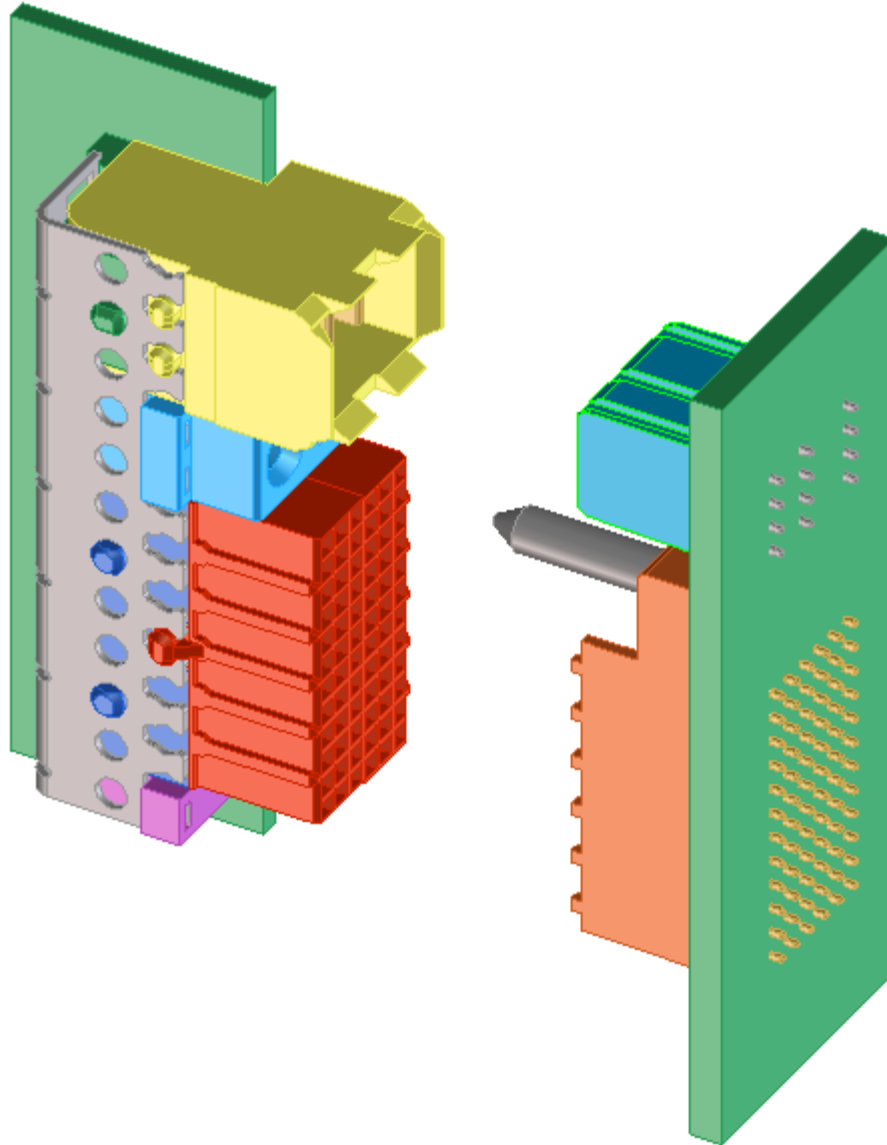
The content and copyrights of the attached
material are the property of its owner.

Jameco Part Number 1976793



PRODUCT SPECIFICATION

PRODUCT SPECIFICATION FOR HIGH DENSITY METRIC (HDM) BACKPLANE AND DAUGHTERCARD INTERCONNECT SYSTEM



REVISION: E	ECR/ECN INFORMATION: EC No: UCP2008-0159 DATE: 2007/07/24	TITLE: PRODUCT SPECIFICATION FOR HIGH DENSITY METRIC (HDM) INTERCONNECT SYSTEM	SHEET No. 1 of 7
DOCUMENT NUMBER: PS-73670-9999	CREATED / REVISED BY: J. BINGHAM	CHECKED BY: J. LAURX	APPROVED BY: R. NELSON



PRODUCT SPECIFICATION

1.0 SCOPE

This specification covers the performance requirements and test methods for the following products listed by series numbers:

- * 73642, 73643, 73644, 73650, 73942, 73943, 73944, 74992, 74349, 74301 HDM Backplane Signal Module
- * 73656, 73659 HDM Backplane Power Module
- * 73670 HDM Daughtercard Assembly

The HDM backplane interconnect system consists of 2mm 6 row modular configurations with custom signal, power and guidance modules. These connectors are two-piece devices, which connect two printed circuit boards. The right angle receptacle connectors (daughtercard) and header pin connectors (backplane) are through hole devices with solder or eye-of-the-needle compliant pin terminals.

2.0 PRODUCT DESCRIPTION

2.1 PRODUCT NAMES

HDM (High Density Metric)

2.2 DIMENSIONS, MATERIALS, PLATINGS AND MARKINGS

Refer to the appropriate sales drawings for information on dimensions, materials, platings and markings.

2.3 SAFETY AGENCY APPROVALS

UL File Number: E29179
CSA File Number: 152514 (LR19980)

3.0 APPLICABLE DOCUMENTS AND SPECIFICATIONS

Refer to the appropriate sales drawings and other sections of this specification for the necessary referenced documents and specifications.

REVISION: E	ECR/ECN INFORMATION: EC No: UCP2008-0159 DATE: 2007/07/24	TITLE: PRODUCT SPECIFICATION FOR HIGH DENSITY METRIC (HDM) INTERCONNECT SYSTEM	SHEET No. 2 of 7
DOCUMENT NUMBER: PS-73670-9999	CREATED / REVISED BY: J. BINGHAM	CHECKED BY: J. LAURX	APPROVED BY: R. NELSON



PRODUCT SPECIFICATION

4.0 RATINGS

4.1 CURRENT

Signal Contact: 1 Amp
 Power: 15 Amps per blade at 30°C rise from ambient temperature

4.2 VOLTAGE

Signal Contact: 250VAC
 Power Contact: 500VAC

4.3 CONTACT BULK RESISTANCE

Mated Signal:

A Row	13 milliohms
B Row	18 milliohms
C Row	20 milliohms
D Row	25 milliohms
E Row	30 milliohms
F Row	32 milliohms

Power Blade: 3 milliohms maximum

4.4 TEMPERATURE RANGE

Operating: -55°C to 105°C
 Non-operating: -55°C to 85°C

4.5 CONTACT WIPE LENGTH

5.0mm Backplane Pin	1.75mm
5.5mm Backplane Pin	2.25mm
6.0mm Backplane Pin	2.75mm
Short Power Blade	3.75mm
Medium Power Blade	4.75mm
Long Power Blade	5.75mm

REVISION: E	ECR/ECN INFORMATION: EC No: UCP2008-0159 DATE: 2007/07/24	TITLE: PRODUCT SPECIFICATION FOR HIGH DENSITY METRIC (HDM) INTERCONNECT SYSTEM	SHEET No. 3 of 7
DOCUMENT NUMBER: PS-73670-9999	CREATED / REVISED BY: J. BINGHAM	CHECKED BY: J. LAURX	APPROVED BY: R. NELSON



PRODUCT SPECIFICATION

5.0 PERFORMANCE

5.1 ELECTRICAL PERFORMANCE

ITEM	TEST CONDITION	REQUIREMENT
CONTACT RESISTANCE (LOW LEVEL)	Mated, 100mA max, 20mV per EIA-364-TP-23	10 milliohm maximum change
INSULATION RESISTANCE	Unmated, 500VDC per EIA-364-TP-21	Initial: 5000 megohms minimum Final: 1000 megohms minimum
DIELECTRIC WITHSTANDING VOLTAGE	Unmated, 1500VAC for signal, 2000VAC for power, per EIA-364-TP-20	No breakdown or flashover
SIGNAL CONTINUITY	Mated per EIA-364-TP-87	No interrupts greater than 10 nanoseconds
COMPLIANT PIN INTERFACE RESISTANCE	Contact inserted into PCB per EIA-364-TP-23	1 milliohm maximum

REVISION: E	ECR/ECN INFORMATION: EC No: UCP2008-0159 DATE: 2007/07/24	TITLE: PRODUCT SPECIFICATION FOR HIGH DENSITY METRIC (HDM) INTERCONNECT SYSTEM	SHEET No. 4 of 7
DOCUMENT NUMBER: PS-73670-9999	CREATED / REVISED BY: J. BINGHAM	CHECKED BY: J. LAURX	APPROVED BY: R. NELSON



PRODUCT SPECIFICATION

5.2 MECHANICAL PERFORMANCE

ITEM	TEST CONDITION	REQUIREMENT
MATING FORCE	Mate daughtercard and backplane assembly per EIA-364-TP-13	0.6N per signal pin 1.3N per power blade (nominal values)
DURABILITY	250 Cycles, mated and unmated per EIA-364-TP-09	10 milliohm max change in LLCR
VIBRATION	Mated, 10-100Hz, 10g's, 24 hr, 3 axis per EIA-364-TP-28	10 milliohm max change in LLCR
MECHANICAL SHOCK	Mated, 30g half-sine, 11ms, 3 axis per EIA-364-TP-27	10 milliohm max change in LLCR
NORMAL FORCE/ SPRING RATE	Apply perpendicular force to terminal at rate of 25+/-6mm per minute	Signal: 0.5N (50 g) min Spring Rate: 12.5 g/mil deflection (nominal) Power: 1.0N (100 g) min
GUIDE PIN STRENGTH	Apply perpendicular force to guide pin tip at rate of 12.7+/-6mm per minute. Record force at 1mm pin displacement	Guide pin in plastic housing: 75N Stand alone guide pin: 130 N (nominal values)
TORQUE SETTING FOR MOUNTING SCREW	Using torque driver, turn screw into plastic guide module until screw strips out	2.5 in-lbs minimum for 1.6-4.8mm PCB thickness

REVISION: E	ECR/ECN INFORMATION: EC No: UCP2008-0159 DATE: 2007/07/24	TITLE: PRODUCT SPECIFICATION FOR HIGH DENSITY METRIC (HDM) INTERCONNECT SYSTEM	SHEET No. 5 of 7
DOCUMENT NUMBER: PS-73670-9999	CREATED / REVISED BY: J. BINGHAM	CHECKED BY: J. LAURX	APPROVED BY: R. NELSON



PRODUCT SPECIFICATION

5.3 ENVIRONMENTAL PERFORMANCE

ITEM	TEST CONDITION	REQUIREMENT
THERMAL SHOCK	Mated, 5 cycles from -55°C to 85°C per EIA-364-TP-32	10 milliohm max change in LLCR
TEMPERATURE LIFE	Mated, +105°C for 1000 hours per EIA-364-TP-17	10 milliohm max change in LLCR
HUMIDITY	Mated, 600 hours from +25°C to +65°C per EIA-364-TP-31	10 milliohm max change in LLCR
DUST	Unmated per EIA-364-TP-50	10 milliohm max change in LLCR
MIXED FLOWING GAS	10 days unmated, 10 days mated, per EIA-364-TP-65 and ASTM B827	10 milliohm max change in LLCR

REVISION: E	ECR/ECN INFORMATION: EC No: UCP2008-0159 DATE: 2007/07/24	TITLE: PRODUCT SPECIFICATION FOR HIGH DENSITY METRIC (HDM) INTERCONNECT SYSTEM	SHEET No. 6 of 7
DOCUMENT NUMBER: PS-73670-9999	CREATED / REVISED BY: J. BINGHAM	CHECKED BY: J. LAURX	APPROVED BY: R. NELSON



PRODUCT SPECIFICATION

6.0 TEST SEQUENCE

Bellcore Test Plan

GROUP 1	GROUP 2	GROUP 3	GROUP 4	GROUP 5
Visual Exam	Visual Exam	Visual Exam	Visual Exam	Visual Exam
Separation Force Mate/Unmate Forces	Mate/Unmate Forces	Separation Force Mate/Unmate Forces	LLCR/CPIR	Normal Force
LLCR/CPIR	LLCR/CPIR	LLCR/CPIR	Durability (100 cycles)	Plating Thickness
Durability (100 cycles)	Thermal Shock	Temperature Life	Mate/Unmate Forces	Porosity
Separation Force	Humidity	LLCR/CPIR	LLCR	
LLCR	LLCR/CPIR	Separation Force Mate/Unmate Forces	MFG (10 days Unmated)	
Dust	Mate/Unmate Forces	Visual Exam	LLCR (After 5 & 10 days)	
LLCR	Visual Exam	Normal Force	MFG (10 days Mated)	
Vibration (3 axis)	Normal Force		LLCR (After 5 & 10 days)	
LLCR			Disturbance	
Mechanical Shock (3 axis)			LLCR	
LLCR/CPIR			Durability (100 cycles)	
Separation Force Mate/Unmate Forces			LLCR/CPIR	
Visual Exam			Visual Exam	
Normal Force			Normal Force	

LLCR = Low Level Contact Resistance
 CPIR = Compliant Pin Interface Resistance

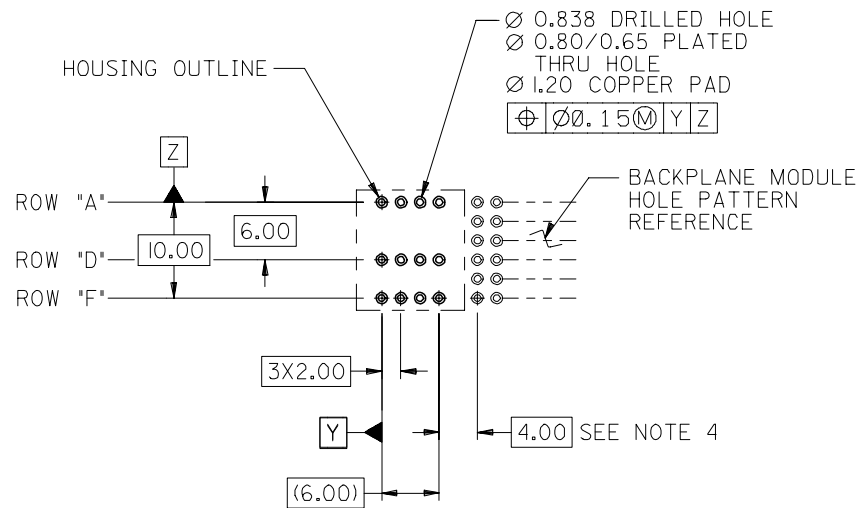
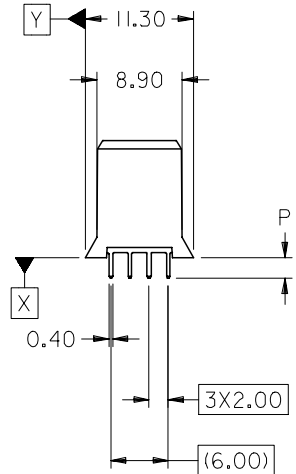
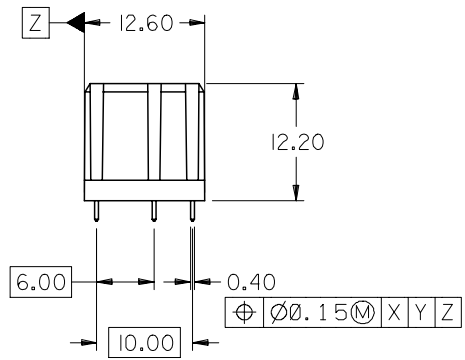
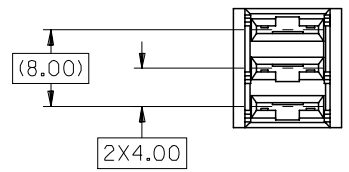
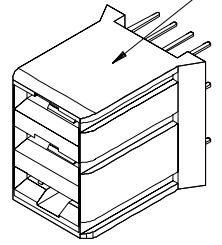
REVISION: E	ECR/ECN INFORMATION: EC No: UCP2008-0159 DATE: 2007/07/24	TITLE: PRODUCT SPECIFICATION FOR HIGH DENSITY METRIC (HDM) INTERCONNECT SYSTEM	SHEET No. 7 of 7
DOCUMENT NUMBER: PS-73670-9999	CREATED / REVISED BY: J. BINGHAM	CHECKED BY: J. LAURX	APPROVED BY: R. NELSON

MATERIAL NUMBER	DIM "P" ±0.25
73659-0001	2.00
73659-0002	2.50
73659-0003	3.00
73659-0004	3.50

DATE CODE AND PART NUMBER ON THIS SURFACE OR SURFACE OPPOSITE.

NOTES:

- MATERIALS: HOUSING - LIQUID CRYSTAL POLYMER (LCP), GLASS-FILLED, UL94V-0, COLOR: BLACK
TERMINAL - BERYLLIUM COPPER
- FINISH:
0.75 MICROMETERS MINIMUM SELECTIVE GOLD (Au) IN MATING AREA
2.50 MICROMETERS MINIMUM SELECTIVE TIN (Sn) IN TAIL AREA
NICKEL (Ni) UNDERPLATE OVERALL.
- THIS PART CONFORMS TO MOLEX PRODUCT SPECIFICATION PS-73670-9999.
- THIS DIMENSION MUST BE A MULTIPLE OF 4.00mm.
- DIMENSION ARE IN MILLIMETERS.



PCB LAYOUT: COMPONENT SIDE
RECOMMENDED PCB THICKNESS: 1.57 MIN

MODIFY FINISH EC NO: UCP2007-2259 DRWN:MSI/BARRA 2007/03/13 CHKD:BBARKER 2007/03/21 APPR:SMILLER 2007/03/22	QUALITY SYMBOLS	GENERAL TOLERANCES (UNLESS SPECIFIED)	DIMENSION STYLE	SCALE	DESIGN UNITS	THIRD ANGLE PROJECTION															
	▽=0 ▽=0	<table border="1"> <thead> <tr> <th></th> <th>mm</th> <th>INCH</th> </tr> </thead> <tbody> <tr> <td>4 PLACES</td> <td>± ---</td> <td>± ---</td> </tr> <tr> <td>3 PLACES</td> <td>± ---</td> <td>± ---</td> </tr> <tr> <td>2 PLACES</td> <td>± 0.10</td> <td>± ---</td> </tr> <tr> <td>1 PLACE</td> <td>± 0.25</td> <td>± ---</td> </tr> </tbody> </table> ANGULAR ±1/2°		mm	INCH	4 PLACES	± ---	± ---	3 PLACES	± ---	± ---	2 PLACES	± 0.10	± ---	1 PLACE	± 0.25	± ---	MM ONLY	2:1	METRIC	
		mm	INCH																		
	4 PLACES	± ---	± ---																		
3 PLACES	± ---	± ---																			
2 PLACES	± 0.10	± ---																			
1 PLACE	± 0.25	± ---																			
DRAWN BY	DATE	TITLE	SALES ASSY HDM BACKPLANE POWER MODULE WITH SOLDER TAILS																		
REED	1996/12/10		MOLEX INCORPORATED																		
CHECKED BY	DATE		MATERIAL NO. SDA-73659-000*																		
BINGHAM	1996/12/10		DOCUMENT NO.																		
APPROVED BY	DATE		SHEET NO. 1 OF 1																		
BIXLER	1996/12/10		THIS DRAWING CONTAINS INFORMATION THAT IS PROPRIETARY TO MOLEX INCORPORATED AND SHOULD NOT BE USED WITHOUT WRITTEN PERMISSION																		
MATERIAL NO.	DATE																				
SEE TABLE																					