

Distributed by:

JAMECO[®]
ELECTRONICS

www.Jameco.com ♦ 1-800-831-4242

The content and copyrights of the attached
material are the property of its owner.

Jameco Part Number 1977446

Housings, Free Hanging or Panel Mount

Product Specification:

Centerline spacing—.198 [5.03]

Material:

Housing—Nylon, natural color

Flammability Rating—UL94V-2

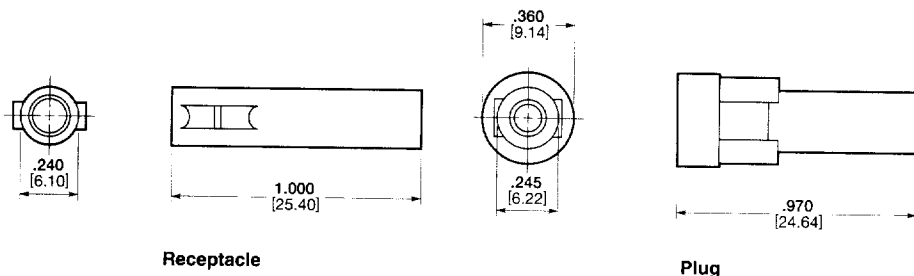
Related Product Data:

Contacts—page 9045

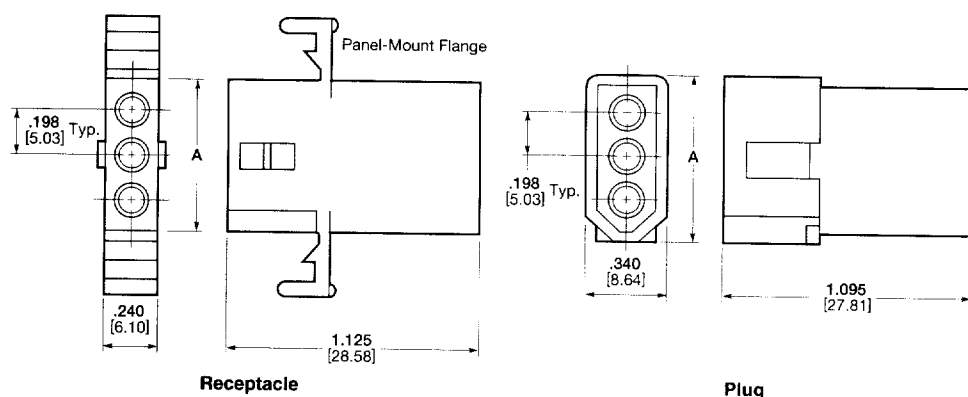
Technical Document:

Product Specification
108-1038

1 Circuit



2, 3, 4 and 6 Circuit, In-Line



No. of Circuits	A Dim.		Receptacle Part Numbers				Plug Part Numbers	
			Panel-Mount		Free-Hanging		Panel-Mount	Free-Hanging
	Receptacle	Plug	Without Detents	With Detents	Without Detents	With Detents		
1	—	—	—	—	—	770063-1	—	770064-1
2	.540 13.72	.640 16.26	—	770066-1 ^{1,5}	—	770065-1 ^{1,5} 770266 ^{1,3,5}	770068-1 ¹	770069-1 ¹
3	.670 17.02	.770 19.56	—	770071-1	—	770070-1 770264-1 ³	770073-1	770074-1
4 (In-Line)	.870 22.10	.970 24.64	—	770076-1	—	770075-1	770077-1	770078-1
4 (Matrix)	.443 11.25	.540 13.71	—	—	—	770843-1	—	770842-1
5	1.070 27.18	1.170 29.72	—	—	—	770083-1 794015-1 ³	—	770084-1
6 (In-Line)	1.268 32.21	1.378 35.00	—	—	—	770782-1 ⁴	—	770892-1 ⁴
6 (Matrix)	.435 11.05	.535 13.59	770085-1	770087-1	770088-1	770086-1	770089-1	770090-1
9	.670 17.02	.770 19.56	770091-1	770093-1	770094-1	770092-1	770095-1 ² 770108-1	770096-1
12	.870 22.10	.970 24.64	770097-1	770099-1	770100-1	770098-1	770101-1	770102-1
15	1.070 27.18	1.170 29.72	770103-1	—	770105-1	—	770106-1	770107-1

¹ .248 [6.30] centerline.

² Mounting ears at wire end.

³ Tool removable.

⁴ Positive lock.

⁵ 600V AC or DC

For complete product information, order Catalog 82181

Housings, Free Hanging or Panel Mount

Product Specification:

Centerline spacing—.198 [5.03]

Material:

Housing—Nylon, natural color

Flammability Rating—UL94V-2

Related Product Data:

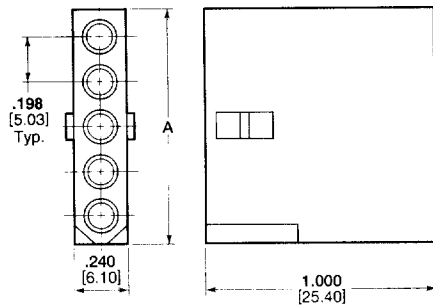
Contacts—page 9045

Technical Document:

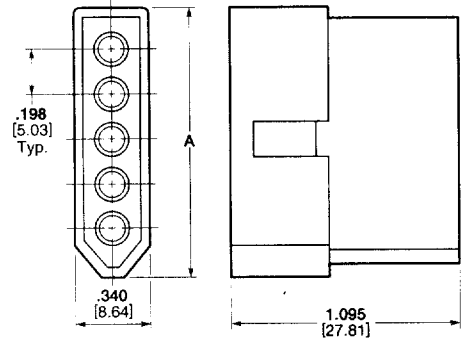
Product Specification

108-1038

5 Circuit, In-Line

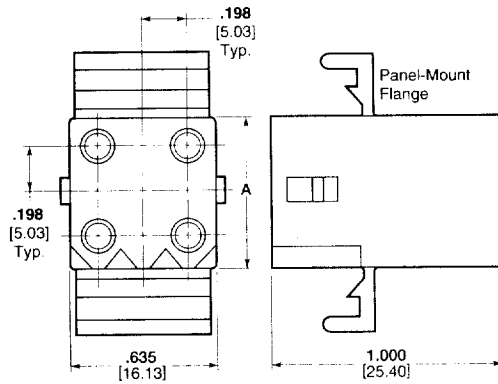


Receptacle

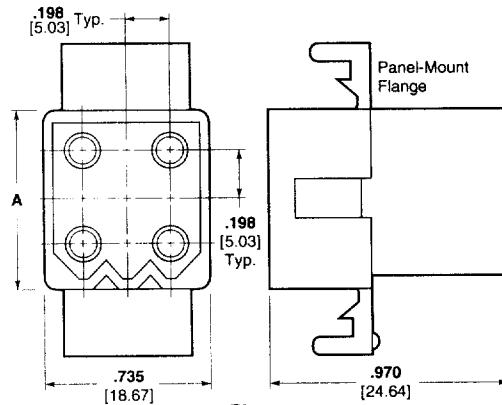


Plug

4, 6, 9, 12, and 15 Circuit, Matrix



Receptacle



Plug

For complete product information, order Catalog 82181