

Distributed by:

JAMECO[®]
ELECTRONICS

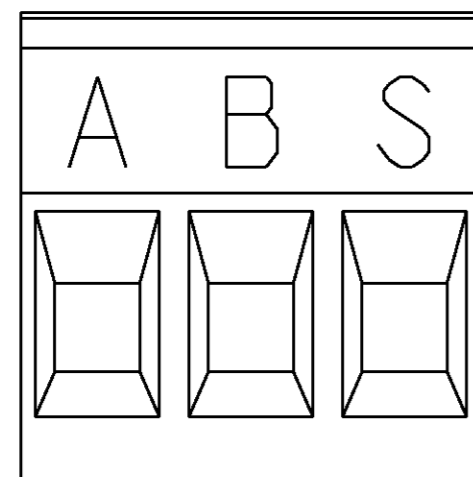
www.Jameco.com ♦ 1-800-831-4242

The content and copyrights of the attached
material are the property of its owner.

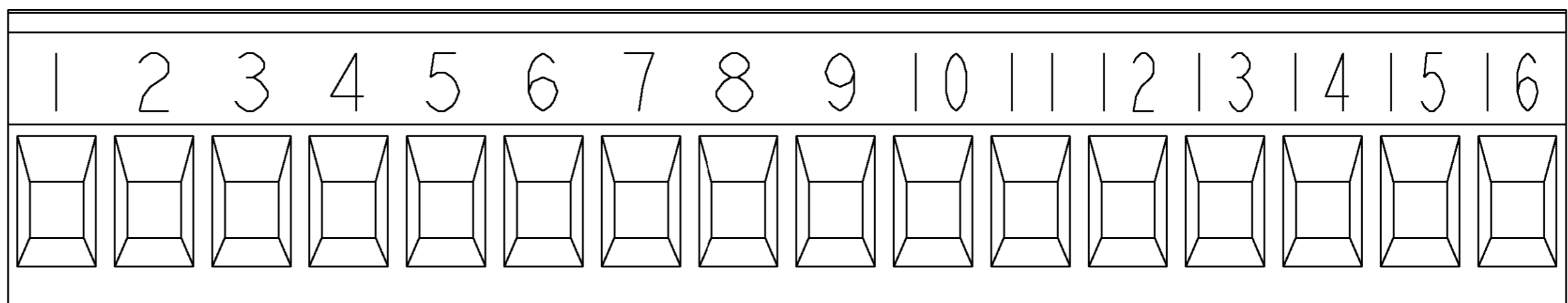
Jameco Part Number 1977770

THIS DRAWING IS UNPUBLISHED. RELEASED FOR PUBLICATION 20
 © COPYRIGHT 20 BY TYCO ELECTRONICS CORPORATION. ALL RIGHTS RESERVED.

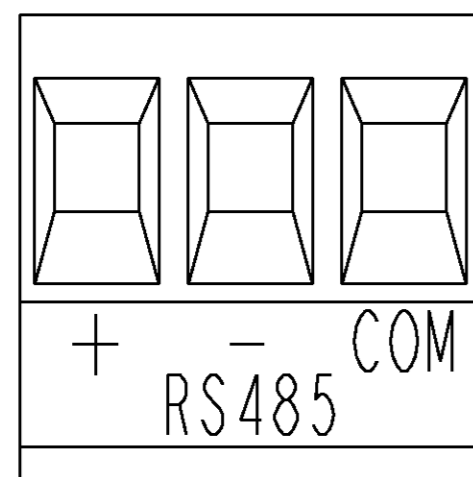
LOC	DIST	REVISIONS			
P	LTR	DESCRIPTION	DATE	DWN	APVD
FT	0	-	SEE SHEET 1	-	-



6
DETAIL H



6
DETAIL J

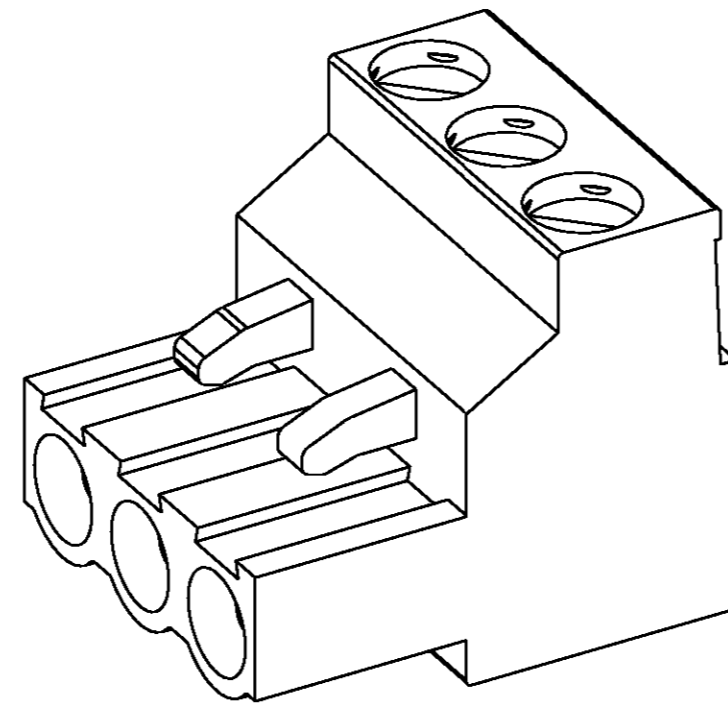
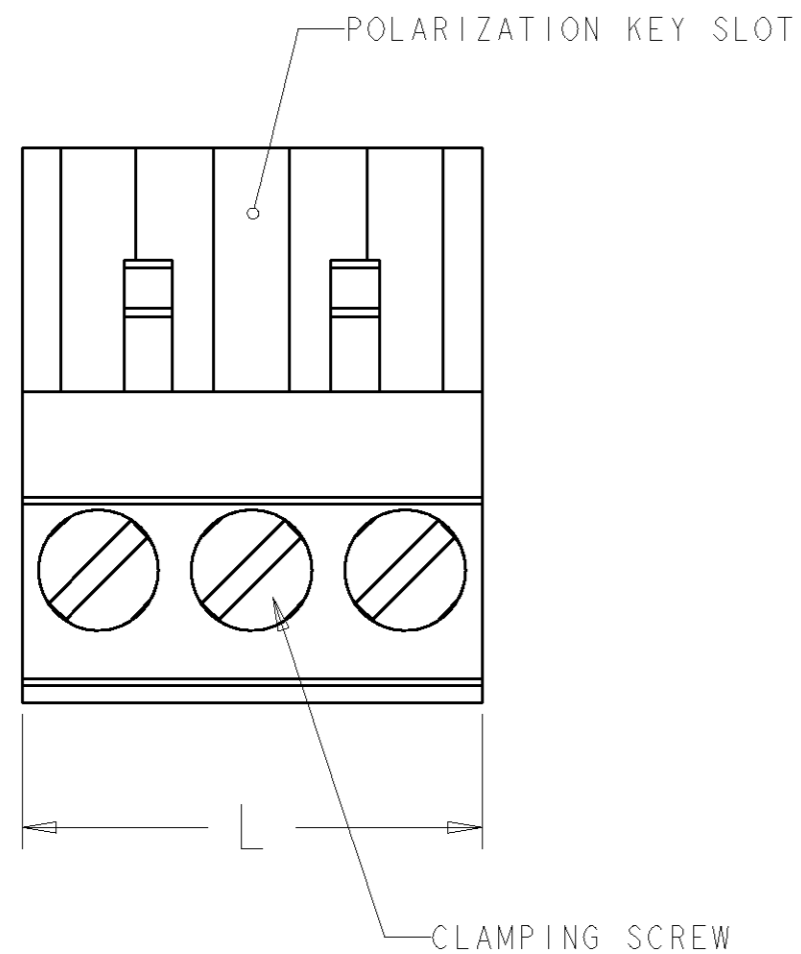


6
DETAIL K

<small>THIS DRAWING IS A CONTROLLED DOCUMENT FOR TYCO ELECTRONICS CORPORATION IT IS SUBJECT TO CHANGE AND THE CONTROLLING ENGINEERING ORGANIZATION SHOULD BE CONTACTED FOR THE LATEST REVISION.</small>		DWN S. WELDON 18OCT2000 CHK D. BIEVENOUR 18OCT2000 APVD D. BIEVENOUR 18OCT2000	BUCHANAN Tyco Electronics Harrisburg, PA 17105-3608
DIMENSIONS: mm	TOLERANCES UNLESS OTHERWISE SPECIFIED: 0 PLC ±- 1 PLC ±.2 2 PLC ±0.00 3 PLC ±0.000 4 PLC ±0.0000 ANGLES ±2 FINISH	PRODUCT SPEC - APPLICATION SPEC - WEIGHT -	NAME TERMINAL BLOCK, PLUG, STACKING, 5.08mm PITCH SIZE A2 CAGE CODE 00779 DRAWING NO. 796635 RESTRICTED TO -
MATERIAL -		CUSTOMER DRAWING SCALE 4:1 SHEET 2 OF 2 REV F	

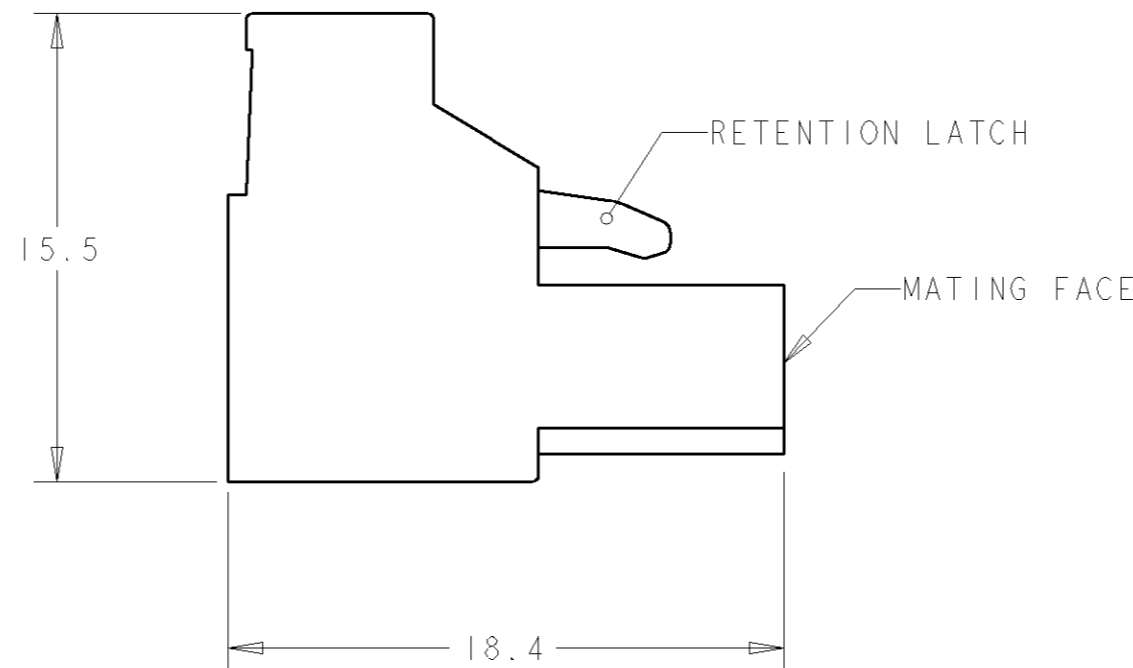
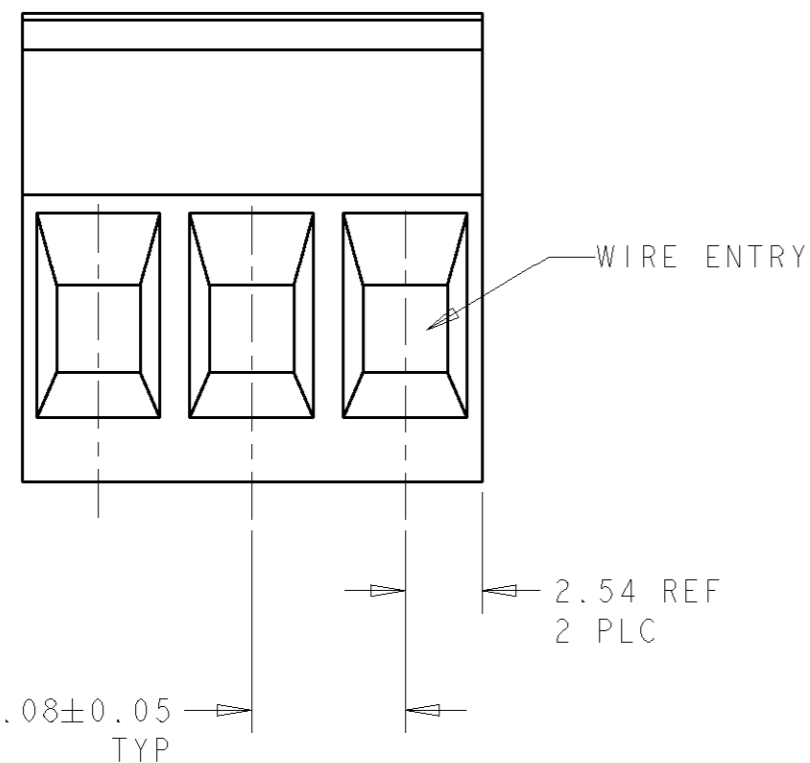
THIS DRAWING IS UNPUBLISHED. RELEASED FOR PUBLICATION 20
 © COPYRIGHT 20 BY TYCO ELECTRONICS CORPORATION. ALL RIGHTS RESERVED.

LOC	DIST	REVISIONS					
FT	0	P	LTR	DESCRIPTION	DATE	DWN	APVD
		E		REVISED EC 0G3B-0258-04	14APR2004	SW	CR
		F		REVISED EC 0G3B-1098-04	04JAN2005	SW	CR



796635-3 AS SHOWN

- MATERIALS AND FINISH:
 HOUSING: PA 6-6, UL 94-V0, COLOR:BLACK.
 CLAMP: BRASS, NICKEL PLATED.
 CONTACT SPRING: PHOSPHOR BRONZE. PLATING: SEE TABLE.
 CLAMPING SCREW: M3, BRASS, NICKEL PLATED.
- END-TO-END STACKABLE WITHOUT LOSS OF CENTERLINE SPACING.
- WIRE SIZE RANGE: 12-30 AWG.
- RECOGNIZED UNDER THE COMPONENT PROGRAM OF UNDERWRITERS LABORATORIES INC. FILE N° E60677.
- IMO CERTIFICATE WITH SURVEILLANCE IN CONFORMITY WITH IEC 998-1/998-2-1.
- △ INK MARKING, WHITE COLOR.



PRELIMINARY	DETAIL K	TIN	15.24	3	3-796635-9
PRELIMINARY	DETAIL J	TIN	81.28	16	3-796635-8
	DETAIL H	TIN	15.24	3	3-796635-7
	-	GOLD	30.48	6	3-796635-6
	-	TIN	127.00	25	2-796635-5
	-	TIN	121.92	24	2-796635-4
	-	TIN	116.84	23	2-796635-3
	-	TIN	111.76	22	2-796635-2
	-	TIN	106.68	21	2-796635-1
	-	TIN	101.60	20	2-796635-0
	-	TIN	96.52	19	1-796635-9
	-	TIN	91.44	18	1-796635-8
	-	TIN	86.36	17	1-796635-7
	-	TIN	81.28	16	1-796635-6
	-	TIN	76.20	15	1-796635-5
	-	TIN	71.12	14	1-796635-4
	-	TIN	66.04	13	1-796635-3
	-	TIN	60.96	12	1-796635-2
	-	TIN	55.88	11	1-796635-1
	-	TIN	50.80	10	1-796635-0
	-	TIN	45.72	9	796635-9
	-	TIN	40.64	8	796635-8
	-	TIN	35.56	7	796635-7
	-	TIN	30.48	6	796635-6
	-	TIN	25.40	5	796635-5
	-	TIN	20.32	4	796635-4
	-	TIN	15.24	3	796635-3
	-	TIN	10.16	2	796635-2
MARKING	CONTACT PLATING	L	NO OF POSN	PART NUMBER	

THIS DRAWING IS A CONTROLLED DOCUMENT FOR TYCO ELECTRONICS CORPORATION IT IS SUBJECT TO CHANGE AND THE CONTROLLING ENGINEERING ORGANIZATION SHOULD BE CONTACTED FOR THE LATEST REVISION.		DWN S. WELDON 18OCT2000 CHK D. BIEVENOUR 18OCT2000 APVD D. BIEVENOUR 18OCT2000	BUCHANAN Tyco Electronics Harrisburg, PA 17105-3608
DIMENSIONS: mm 	TOLERANCES UNLESS OTHERWISE SPECIFIED: 0 PLC ± 1 PLC ±0.2 2 PLC ±0.0 3 PLC ±0.000 4 PLC ±0.000 ANGLES ±2 FINISH	PRODUCT SPEC APPLICATION SPEC WEIGHT CUSTOMER DRAWING	NAME TERMINAL BLOCK, PLUG, STACKING, 5.08mm PITCH SIZE A2 CAGE CODE 00779 C=796635 DRAWING NO 796635 RESTRICTED TO SCALE 4:1 SHEET 1 OF 2 REV F