

Distributed by:

JAMECO[®]
ELECTRONICS

www.Jameco.com ♦ 1-800-831-4242

The content and copyrights of the attached
material are the property of its owner.

Jameco Part Number 2029608



Quick Reference

Search by part #

Check distributor part inventory

Products

Browse Products

-By Device -

-By Product Line-

-Attachment Methods

-Interface Materials -

-Accessories -

Useful Links

- [MSDS Safety Sheets](#)
- [How to order?](#)
- [Find Sales Rep](#)
- [Find Distributor](#)
- [Sample Request](#)
- [Quote Request](#)
- [Catalog Request](#)
- [Building a part #](#)
- [Part # Cross Ref](#)

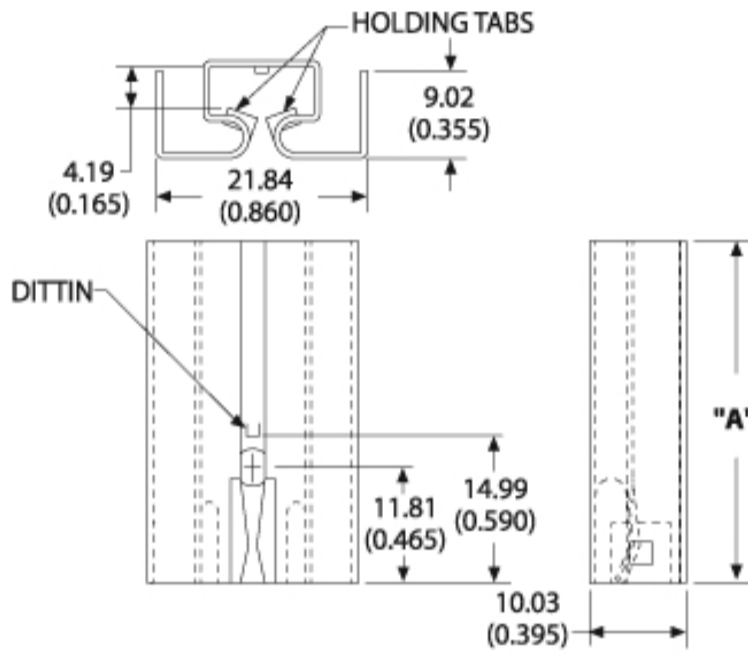
For use with TO -220 packages

[Printer friendly version](#)

Part Number - 574902B00000G

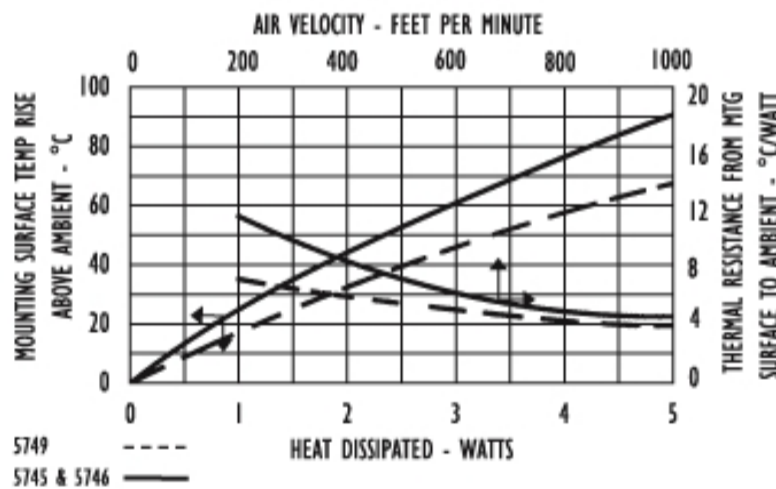


Mechanical Outline Drawing



A Dim 34.93

Thermal Curves



Thermal Resistance	16.00
---------------------------	-------

Thermal resistance value is based on a 75°C rise in natural convection

Product Information

Part #	Description	Finish	Board Mounting
574902B00000G	Low cost labor saving slide on heat sink featuring spring action	Black Anodize	N/A

Not Exactly what you need?

We offer several options for those applications which require a more unique solution. For slight modifications of this part or other attachment options, finishes, and interface materials, contact your [local representative](#). Challenge us with your thermal requirements - we can design custom solutions.