

Distributed by:

JAMECO[®]
ELECTRONICS

www.Jameco.com ♦ 1-800-831-4242

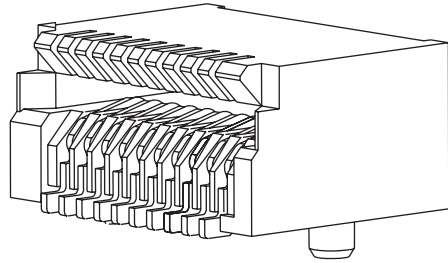
The content and copyrights of the attached
material are the property of its owner.

Jameco Part Number 2045940

0.80mm (.031") Pitch Small Form-Factor Pluggable (SFP) Receptacle

74441

**Right Angle, SMT
20 Circuit**



Features and Benefits

- Connector used in conjunction with pluggable transceiver modules allows you to mate copper cable or optical cable assemblies without changing host board
- Card entry slot to accept 1.00mm (.039") thick integrated circuit board (located inside pluggable module)
- Alignment posts provide stability for placement on the PCB
- Standoffs allow easy PCB cleaning after soldering
- SMT receptacle provides option for placement on either side of PCB
- Meets MSA standards

Reference Information

Packaging: Tape and reel
 Mates With: 73929 Copper patch cable, 74720 Copper pluggable module and optical pluggable module
 Use With: 73927 cage assembly
 Designed In: Millimeters

Electrical

Voltage: 30V
 Current: 0.5A
 Contact Resistance: 10 milliohms max.
 Dielectric Withstanding Voltage: 300V AC
 Insulation Resistance: 100 Megohms min.

Mechanical

Contact Retention to Housing: 4.4N (1.0 lb)
 Mating Force: 22N (5.0 lb)
 Unmating Force: 8.8N (2.0 lb)
 Normal Force: 0.8N (80g)
 Durability: 200 cycles

Physical

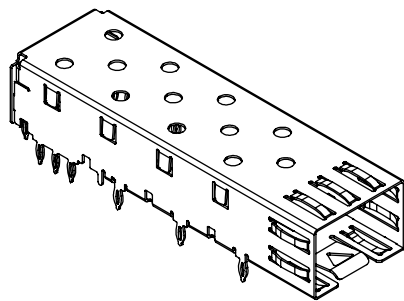
Housing: High-temperature thermoplastic
 Contact: Copper Alloy
 Plating: Contact Area—See table
 Solder Tail Area—Gold flash or 2.54mm Tin
 Underplating—2.54µm Nickel
 PCB Thickness: 1.00mm (.039")
 Operating Temperature: -55 to +105°C

Circuits	Order No.	Plating	Lead-free
20	74441-0001	0.38µm (25µ") Gold	Yes
	74441-0010	0.76µm (30µ") Gold	
30	74441-0007	0.38µm (25µ") Gold	
	74441-0017	0.76µm (30µ") Gold	
70	74441-0003	0.38µm (25µ") Gold	
	74441-0013	0.76µm (30µ") Gold	

www.molex.com/product/sfp_products.html

1X SFP (Small Form-factor Pluggable) EMI Cage

74737



Features and Benefits

- Press-fit, solder post and PCI pin styles enable use with various PCB thicknesses and assembly processes
- Two-point spring contacts offer optimal EMI grounding
- One-piece, stamped and formed cage is able to meet RoHS requirements by eliminating solder
- Built in tabs allow addition of lightpipe cover

Reference Information

Packaging: Tray
 Mates With: 73929, 73930, 74742, 74743 and 74720
 Use With: 74441
 Designed In: Millimeters

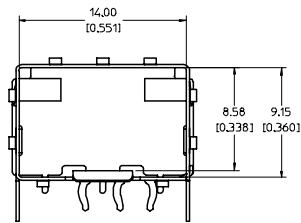
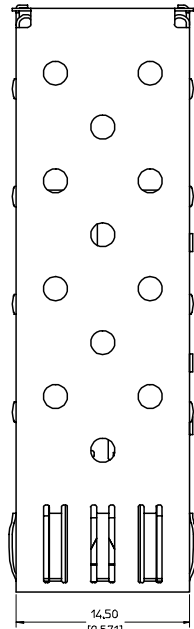
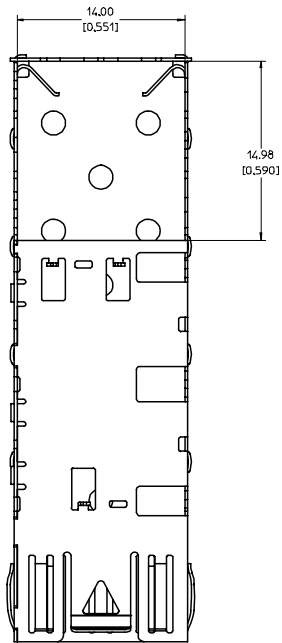
Mechanical

Insertion Force to PCB: 3.25 lbf per press-fit pin
 Retention Force to PCB: 1.6 lbf per press-fit pin
 Durability: 1 cycle

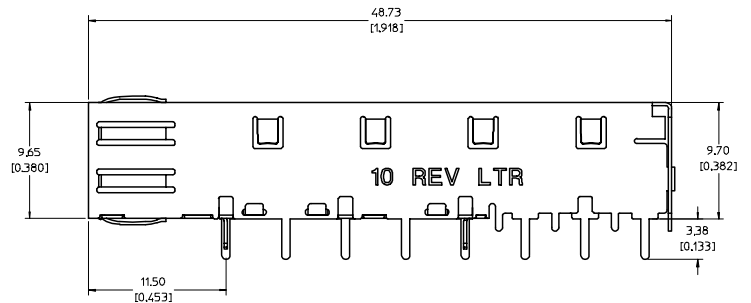
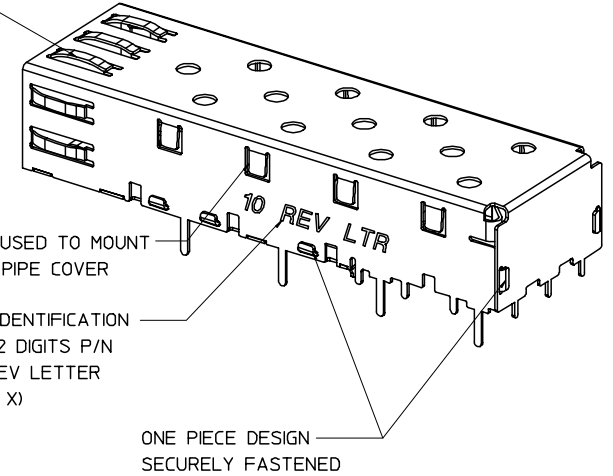
Physical

Cage Housing: C770 Alloy
 Plating: Nickel
 PCB Thickness: 1.57mm (.062") min.
 Operating Temperature: -55 to +105°C

Order No.	Description	Cross Reference to 73927 Series	Lead-free
74737-0002	Press-fit (.090") legs	73927-0001 73927-0017 73927-0109	Yes
74737-0004	Press-fit (.090") legs, Belly-to-Belly	73927-0008 73927-0018 73927-0108	
74737-0009	Press-fit (.120") legs	73927-0009	
74737-0010	Solder post (0.133" legs), wave solder for 0.093" PCB	73927-0010	
74737-0014	Press-fit (0.120" legs) with Kapton tape	73927-0014	
74737-0016		73927-0016	



SPRING FINGER GASKET WITH TWO POINTS OF CONTACT. COMPLIES WITH (SFP) MSA BOARD AND BEZEL LOCATIONS.

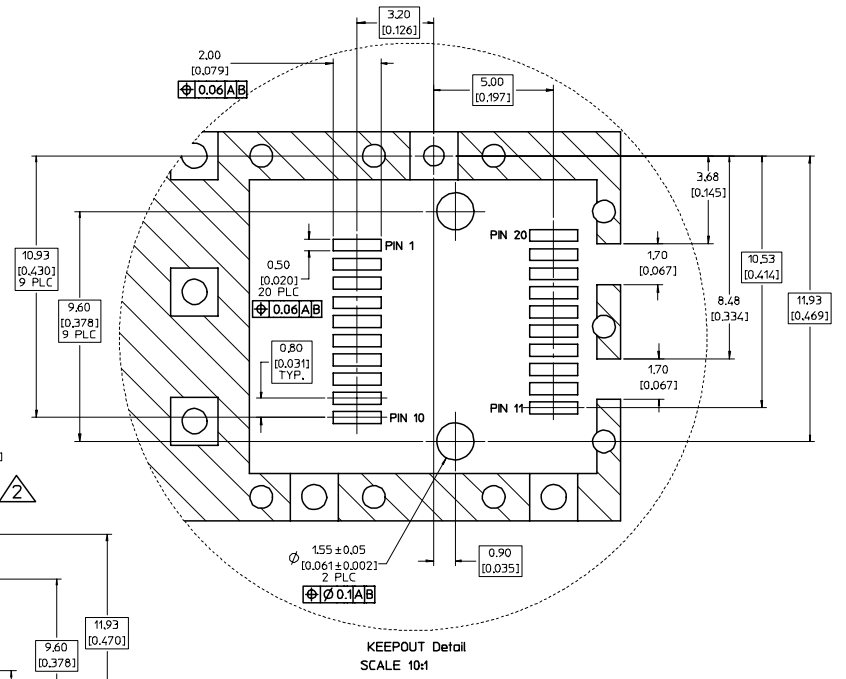
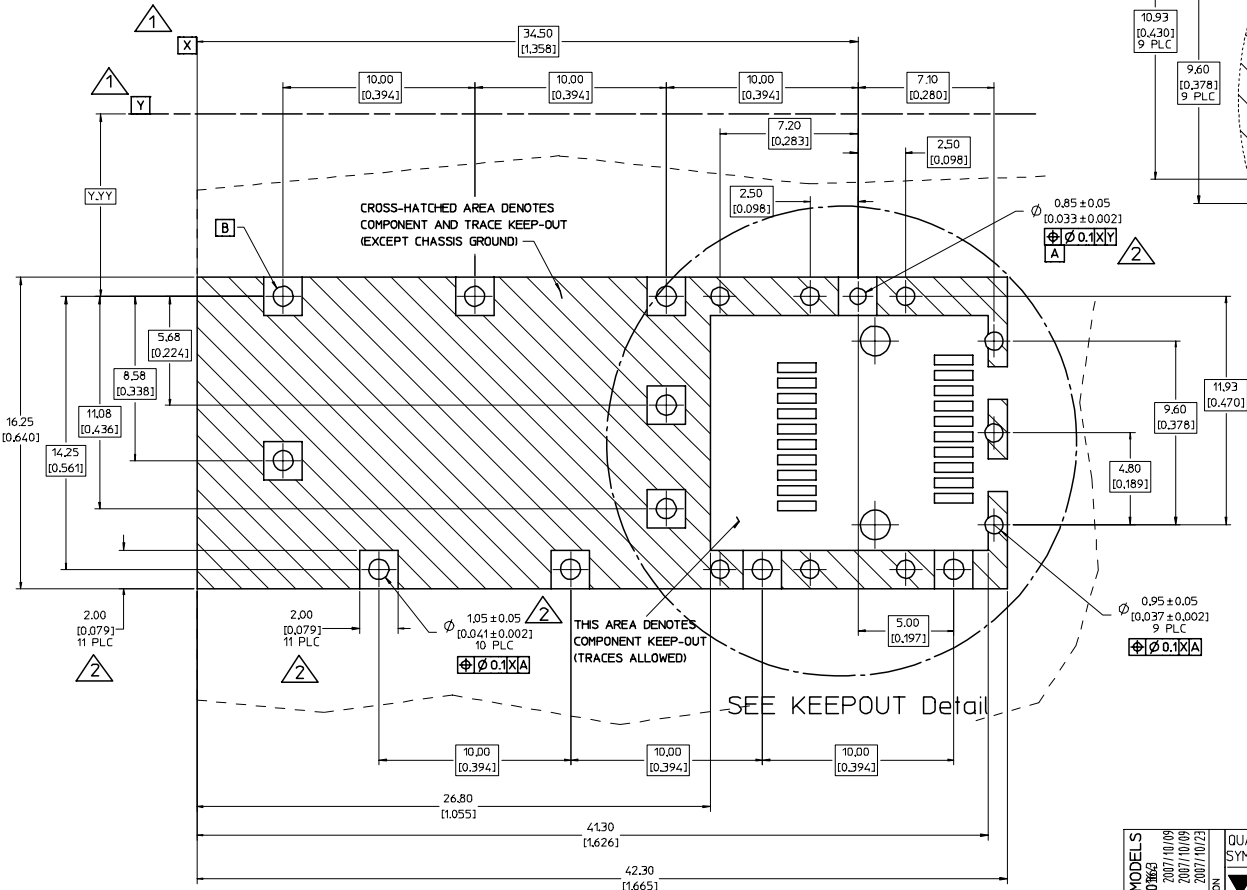


NOTES:

- THIS CAGE IS FOR SINGLE SIDED USE ONLY.
- CAN BE USED WITH THE FOLLOWING LIGHT PIPE PART NUMBERS:
 747260001 - LIGHT PIPE FROM BACK TO TOP
 (REFER TO DOCUMENT SD-74726-001)
 747260002 - LIGHT PIPE FROM SIDE TO TOP
 (REFER TO DOCUMENT SD-74726-002)
- MATERIAL: COPPER ALLOY
 PLATING: PRE-PLATED WITH NICKEL
- THIS PART MEETS THE RESTRICTION OF HAZARDOUS SUBSTANCES IN ELECTRICAL AND ELECTRONIC EQUIPMENT (ROHS) DIRECTIVE (2002/95/EC).

UPDATED 3D MODELS EC NO: USY2008-0863 2007/10/09 DRAWN BY: C CHECKED: CHKCD APPROVED: 2007/10/23 APPROV: M APPROV: M	QUALITY SYMBOLS	GENERAL TOLERANCES (UNLESS SPECIFIED)	DIMENSION STYLE	SCALE	DESIGN UNITS	THIRD ANGLE PROJECTION																		
	$\nabla=0$ $\nabla=0$	<table border="1"> <tr> <th></th> <th>mm</th> <th>INCH</th> </tr> <tr> <td>4 PLACES</td> <td>± .005</td> <td>± .0005</td> </tr> <tr> <td>3 PLACES</td> <td>± .01</td> <td>± .001</td> </tr> <tr> <td>2 PLACES</td> <td>± 0.13</td> <td>± .01</td> </tr> <tr> <td>1 PLACE</td> <td>± 0.25</td> <td>± .01</td> </tr> <tr> <td>ANGULAR</td> <td colspan="2">± 1 °</td> </tr> </table>		mm	INCH	4 PLACES	± .005	± .0005	3 PLACES	± .01	± .001	2 PLACES	± 0.13	± .01	1 PLACE	± 0.25	± .01	ANGULAR	± 1 °		MM/IN	5:1	METRIC	
		mm	INCH																					
	4 PLACES	± .005	± .0005																					
3 PLACES	± .01	± .001																						
2 PLACES	± 0.13	± .01																						
1 PLACE	± 0.25	± .01																						
ANGULAR	± 1 °																							
DESCRIPTION	DRAWN BY: CCOX DATE: 2007/01/22	CHECKED BY: RMAHMOOD DATE: 2007/01/22	TITLE	SFP ONE PIECE CAGE W/SPRING FINGERS SOLDER POSTS																				
REV	MATERIAL NO: 747370010	APPROVED BY: RMAHMOOD DATE: 2007/01/22	DOCUMENT NO: SD-74737-010	MOLEX INCORPORATED																				
	DRAFT WHERE APPLICABLE MUST REMAIN WITHIN DIMENSIONS					SHEET NO: 1 OF 4																		
			THIS DRAWING CONTAINS INFORMATION THAT IS PROPRIETARY TO MOLEX INCORPORATED AND SHOULD NOT BE USED WITHOUT WRITTEN PERMISSION																					

- 1 DATUM AND BASIC DIMENSIONS ESTABLISHED BY CUSTOMER.
- 2 PADS AND VIAS ARE CHASSIS GROUND.
- 3 HOLE LAYOUT SHOWN IS FOR SINGLE SIDED MOUNTING ONLY.
- 4 CONNECTOR PAD LAYOUT PER SFP MSA, WILL ACCOMMODATE MOLEX CONNECTOR SERIES 74441 OR EQUIVALENT.



UPDATED 3D MODELS EC NO: USY2008-0063 DRAWN BY: CDRANKCOX CHECKED: 2007/10/09 APPROVED: 2007/10/23	QUALITY SYMBOLS	GENERAL TOLERANCES (UNLESS SPECIFIED)	DIMENSION STYLE	SCALE	DESIGN UNITS	THIRD ANGLE PROJECTION											
	$\nabla=0$ $\nabla=0$	<table border="1"> <tr><th>mm</th><th>INCH</th></tr> <tr><td>4 PLACES ± ---</td><td>± ---</td></tr> <tr><td>3 PLACES ± ---</td><td>± .005</td></tr> <tr><td>2 PLACES ± 0.13</td><td>± .01</td></tr> <tr><td>1 PLACE ± 0.25</td><td>± ---</td></tr> <tr><td colspan="2">ANGULAR ± 1 °</td></tr> </table>	mm	INCH	4 PLACES ± ---	± ---	3 PLACES ± ---	± .005	2 PLACES ± 0.13	± .01	1 PLACE ± 0.25	± ---	ANGULAR ± 1 °		MM/IN 8:1	METRIC	<input checked="" type="checkbox"/> THIRD ANGLE PROJECTION
	mm	INCH															
	4 PLACES ± ---	± ---															
3 PLACES ± ---	± .005																
2 PLACES ± 0.13	± .01																
1 PLACE ± 0.25	± ---																
ANGULAR ± 1 °																	
DRAWN BY: CCOX CHECKED BY: RMAHMOOD APPROVED BY: RMAHMOOD DATE: 2007/01/22 DATE: 2007/01/22 DATE: 2007/01/22	TITLE: SFP ONE PIECE CAGE W/SPRING FINGERS SOLDER POSTS		MOLEX MOLEX INCORPORATED														
MATERIAL NO: 747370010 DOCUMENT NO: SD-74737-010 SHEET NO: 2 OF 4	DRAFT WHERE APPLICABLE MUST REMAIN WITHIN DIMENSIONS		THIS DRAWING CONTAINS INFORMATION THAT IS PROPRIETARY TO MOLEX INCORPORATED AND SHOULD NOT BE USED WITHOUT WRITTEN PERMISSION														

20 19 18 17 16 15 14 13 12 11 10 9 8 7 6 5 4 3 2 1

M

L

K

J

I

H

G

F

E

D

C

B

A

M

L

K

J

I

H

G

F

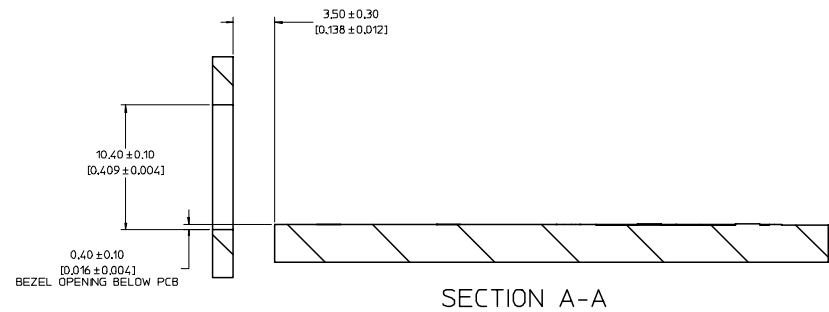
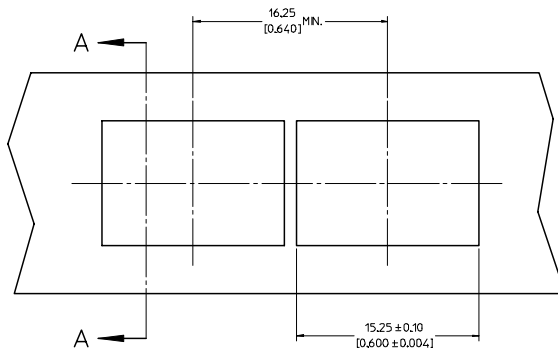
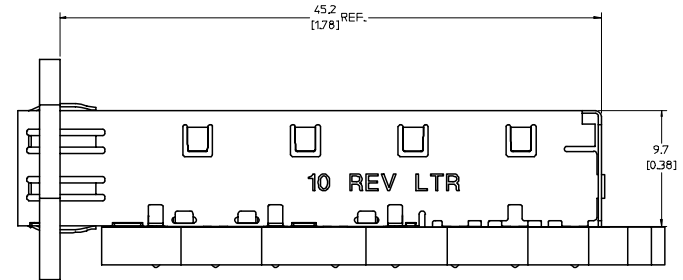
E

D

C

B

A



UPDATED 3D MODELS EC NO: USY2008-0863 DRAWN BY: C COX CHECKED BY: R MAHMOOD APPROVED BY: R MAHMOOD DATE: 2007/10/09 DATE: 2007/10/09 DATE: 2007/10/23	QUALITY SYMBOLS	GENERAL TOLERANCES (UNLESS SPECIFIED)	DIMENSION STYLE	SCALE	DESIGN UNITS	THIRD ANGLE PROJECTION	
	▽=0 ▽=0	mm INCH 4 PLACES ± --- ± --- 3 PLACES ± --- ± .005 2 PLACES ± 0.13 ± .01 1 PLACE ± 0.25 ± --- ANGULAR ± 1 °	MM/IN	5:1	METRIC		
	DESCRIPTION	DRAFT WHERE APPLICABLE MUST REMAIN WITHIN DIMENSIONS	MATERIAL NO.	747370010	DOCUMENT NO.	SD-74737-010	SHEET NO. 3 OF 4
	TITLE: SFP ONE PIECE CAGE W/SPRING FINGERS SOLDER POSTS MOLEX INCORPORATED THIS DRAWING CONTAINS INFORMATION THAT IS PROPRIETARY TO MOLEX INCORPORATED AND SHOULD NOT BE USED WITHOUT WRITTEN PERMISSION						

19 18 17 16 15 14 13 12 11 10 9 8 7 6 5 4 3 2 1

M
L
K
J
I
H
G
F
E
D
C
B
A

M
L
K
J
I
H
G
F
E
D
C
B
A

DATE	REV	CHANGES
2007/01/17	A	INITIAL RELEASE
2007/01/24	B	[1] ON SHT1 ADDED TEXT TO ISO VIEW & SIDE VIEW, [2] ON SHT3 DELETED BEZ FRONT VIEW
2007/04/25	C	[1] ADDED REV SHEET, [2] UPDATED REV SHEET NOTES A-B, [3] UPDATED DRAWING TO REFLECT CHG'S MADE TO EM-74737-010-ASSY REV C, [4] ON SHT1 ROTATED BTM VIEW 180 DEGREES.

UPDATED 3D MODELS EC NO: USY2008-0363 DRAWN BY: C. TORWALDSON CHKD: C. TORWALDSON APPROVED: C. TORWALDSON DATE: 2007/10/09 DATE: 2007/10/09 DATE: 2007/10/23	QUALITY SYMBOLS	GENERAL TOLERANCES (UNLESS SPECIFIED)	DIMENSION STYLE		SCALE	DESIGN UNITS	THIRD ANGLE PROJECTION																		
	▴=0 ▽=0	<table border="1"> <thead> <tr> <th></th> <th>mm</th> <th>INCH</th> </tr> </thead> <tbody> <tr> <td>4 PLACES</td> <td>± .005</td> <td>± .0005</td> </tr> <tr> <td>3 PLACES</td> <td>± .005</td> <td>± .0005</td> </tr> <tr> <td>2 PLACES</td> <td>± 0.13</td> <td>± .01</td> </tr> <tr> <td>1 PLACE</td> <td>± 0.25</td> <td>± .01</td> </tr> <tr> <td>ANGULAR</td> <td colspan="2">± 1 °</td> </tr> </tbody> </table>		mm	INCH	4 PLACES	± .005	± .0005	3 PLACES	± .005	± .0005	2 PLACES	± 0.13	± .01	1 PLACE	± 0.25	± .01	ANGULAR	± 1 °		MM/IN		1:1	METRIC	
		mm	INCH																						
	4 PLACES	± .005	± .0005																						
3 PLACES	± .005	± .0005																							
2 PLACES	± 0.13	± .01																							
1 PLACE	± 0.25	± .01																							
ANGULAR	± 1 °																								
DRAWN BY: C COX	DATE: 2007/01/22	TITLE: SFP ONE PIECE CAGE W/SPRING FINGERS SOLDER POSTS		MOLEX INCORPORATED																					
CHECKED BY: RMAHMOOD	DATE: 2007/01/22	APPROVED BY: RMAHMOOD		DATE: 2007/01/22	MATERIAL NO: 747370010	DOCUMENT NO: SD-74737-010	SHEET NO: 4 OF 4																		
DRAFT WHERE APPLICABLE MUST REMAIN WITHIN DIMENSIONS		SIZE: D		THIS DRAWING CONTAINS INFORMATION THAT IS PROPRIETARY TO MOLEX INCORPORATED AND SHOULD NOT BE USED WITHOUT WRITTEN PERMISSION																					