

Distributed by:

JAMECO[®]
ELECTRONICS

www.Jameco.com ♦ 1-800-831-4242

The content and copyrights of the attached
material are the property of its owner.

Jameco Part Number 2056956

PLEASE CHECK WWW.MOLEX.COM FOR LATEST PART INFORMATION

Part Number: [47018-2001](#)
Status: **Active**
Overview: Serial ATA Host Receptacles
Description: 1.27mm Pitch Serial ATA Host Receptacle, Mating Height 4.30mm, 0.76µm Gold (Au) Plating, Light Tin Solder Area, Surface Mount, Right Angle, Top Mount Type, 22 Circuits, Lead-Free

Documents:

[3D Model](#) [Product Specification PS-67492-001 \(PDF\)](#)
[Drawing \(PDF\)](#) [RoHS Certificate of Compliance \(PDF\)](#)

Agency Certification

CSA LR19980
 UL E29179

General

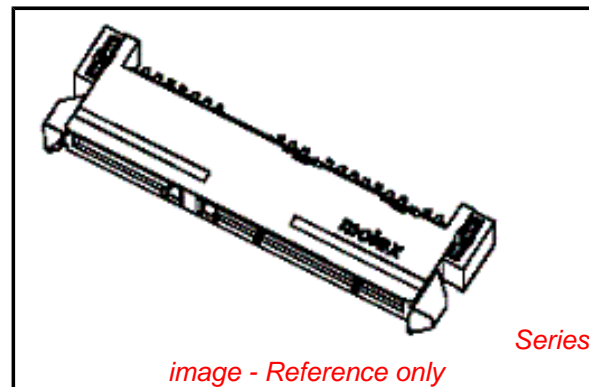
Product Family PCB Receptacles
 Series [47018](#)
 Application Board-to-Board, Signal
 Comments Top Mount Type
 Overview [Serial ATA Host Receptacles](#)
 Product Name Serial ATA
 UPC 822350128513

Physical

Circuits (Loaded) 22
 Circuits (maximum) 22
 Color - Resin Black
 Durability (mating cycles max) 500
 Flammability 94V-0
 Glow-Wire Compliant No
 Keying to Mating Part Yes
 Lock to Mating Part None
 Material - Metal Copper Alloy
 Material - Plating Mating Gold
 Material - Plating Termination Tin
 Net Weight 1.853/g
 Number of Rows 1
 Orientation Right Angle
 PC Tail Length 1.60mm
 PCB Locator Yes
 PCB Retention Yes
 Packaging Type Tray
 Pitch - Mating Interface 1.27mm
 Pitch - Termination Interface 1.27mm
 Plating min - Mating 0.762µm
 Plating min - Termination 2.032µm
 Polarized to Mating Part Yes
 Polarized to PCB Yes
 Surface Mount Compatible (SMC) N/A
 Temperature Range - Operating -35°C to +85°C
 Termination Interface: Style Surface Mount

Electrical

Current - Maximum per Contact 1.5A
 Voltage - Maximum 15V DC



EU RoHS

ELV and RoHS Compliant
REACH SVHC Contains SVHC: No
Low-Halogen Status Not Low-Halogen

China RoHS



Need more information on product environmental compliance?

Email productcompliance@molex.com
 For a multiple part number RoHS Certificate of Compliance, [click here](#)

Please visit the [Contact Us](#) section for any non-product compliance questions.

Search Parts in this Series

[47018Series](#)

Mates With

[877030001](#)

Solder Process Data

Lead-free Process Capability
Process Temperature max. C

Reflow Capable (SMT only)
230

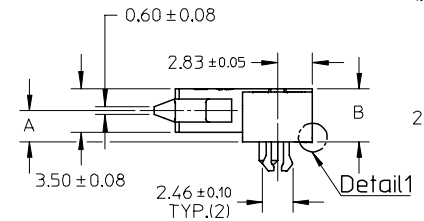
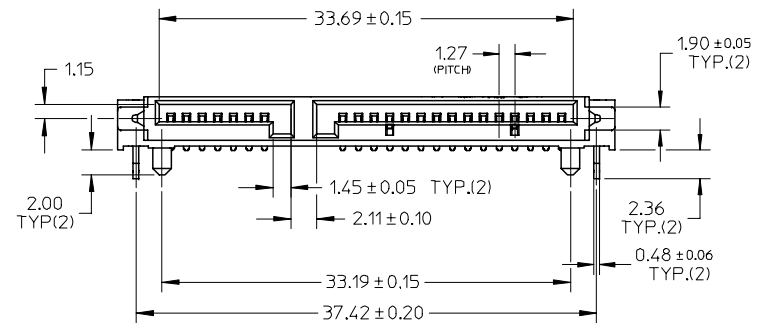
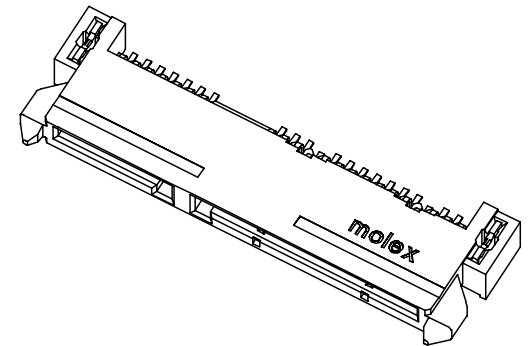
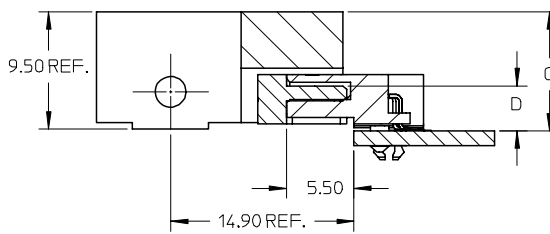
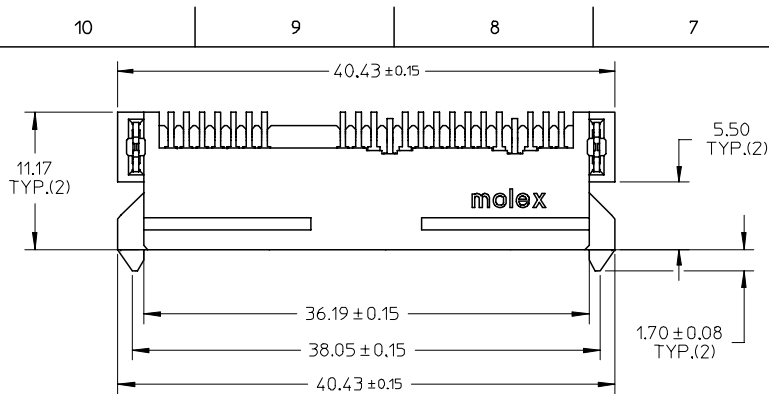
Material Info**Reference - Drawing Numbers**

Electrical Model Document
Product Specification
Sales Drawing

EE-47018-002
PS-67492-001
SD-47018-001

This document was generated on 10/25/2012

PLEASE CHECK WWW.MOLEX.COM FOR LATEST PART INFORMATION



Detail1

NOTES:

1.MATERIAL:

HOUSING: THERMAL PLASTIC, GLASS FILLED, UL94V-0. COLOR: BLACK,
 FORKLICK: COPPER ALLOY,
 TERMINALS: COPPER ALLOY.

2.TERMINAL PLATING:

CONTACT AREA:

- (a) GOLD FLASH;
- (b) GOLD, THICKNESS=0.76 MICRONS MINIMUM;
- (c) GOLD, THICKNESS=0.38 MICRONS MINIMUM;

3.FORLICK PLATING:

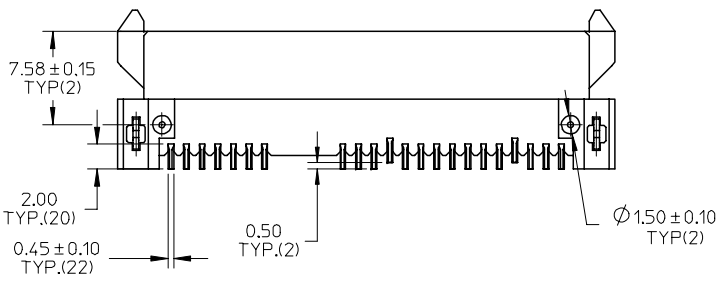
▽SOLDER AREA: TIN, THICKNESS=2.00 MICRONS MINIMUM,
 UNDER PLATING: NICKEL, THICKNESS=1.27 MICRONS MINIMUM.

4.PRODUCT SPECIFICATION: PS-67492-001.

5.PACKAGING METHOD: 47018-400*, TAPE REEL, DETAIL REFER TO PK-47018-003,
 OTHERS, TRAY, DETAIL REFER TO PK-67492-001.

6.MATING PARTS: 87703/87672.

▽7.PRODUCT COMPLIANT TO RoSH DIRECTIVE 2002/95/EC AND 2000/53/EC.

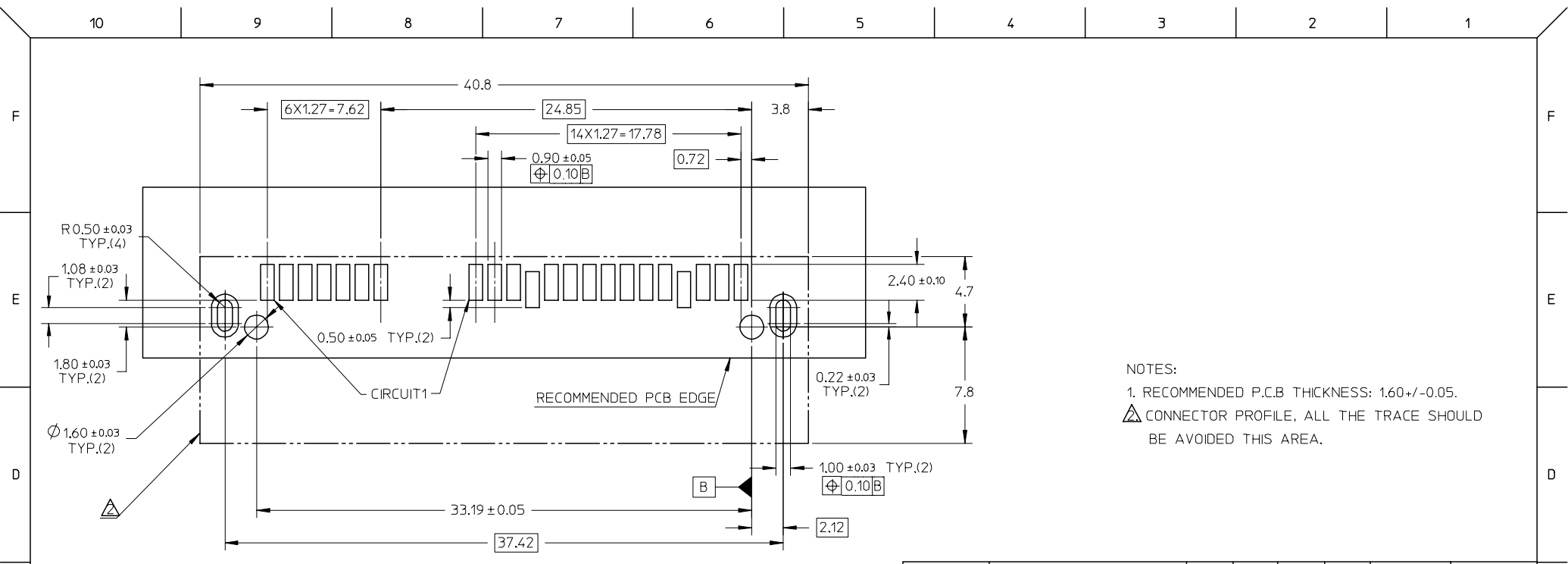


ADD PART NO	SH2007-0187
EC NO:	SH2007-0187
DRWN:	HZHA006
CHKD:	JTIAN
APPR:	JNCHEN
REV	

QUALITY SYMBOLS	▽=0
	▽C=0

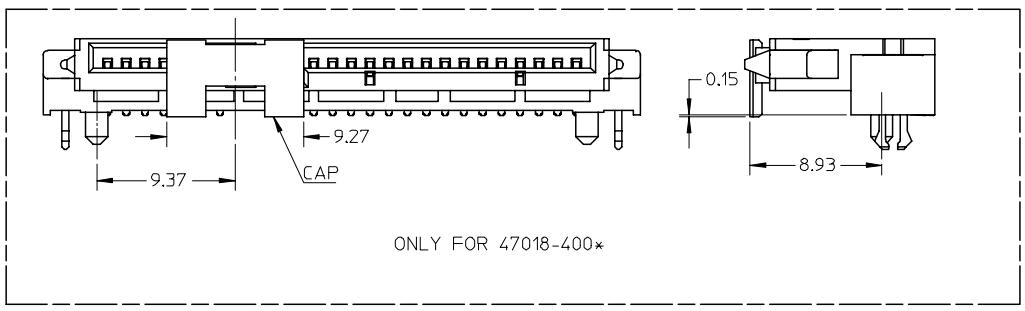
GENERAL TOLERANCES (UNLESS SPECIFIED)	mm	INCH
	4 PLACES ± ---	± ---
	3 PLACES ± ---	± ---
	2 PLACES ± 0.25	± ---
	1 PLACE ± 0.25	± ---
	ANGULAR ± 3 °	
DRAFT WHERE APPLICABLE MUST REMAIN WITHIN DIMENSIONS		

DIMENSION STYLE		SCALE	DESIGN UNITS	THIRD ANGLE PROJECTION
MM ONLY		2:1	METRIC	
DRAWN BY	DATE	TITLE		
TOM LI	2004/10/25	SERIAL ATA DOCKING CONNECTOR TOP MOUNT TYPE		
CHECKED BY	DATE			
GRATE MA	2004/10/25			
APPROVED BY	DATE			
VINCENT	2004/10/25	MOLEX INCORPORATED		
MATERIAL NO.	DOCUMENT NO.	SHEET NO.		
	SD-47018-001	1 OF 2		
SIZE	THIS DRAWING CONTAINS INFORMATION THAT IS PROPRIETARY TO MOLEX INCORPORATED AND SHOULD NOT BE USED WITHOUT WRITTEN PERMISSION			
A3				



NOTES:
 1. RECOMMENDED P.C.B THICKNESS: 1.60+/-0.05.
 △ CONNECTOR PROFILE, ALL THE TRACE SHOULD BE AVOIDED THIS AREA.

RECOMMENDED P.C.B LAYOUT (COMPONENT SIDE)



PRODUCT	CONTACT PLATING SPEC	DIM'A'	DIM'B'	DIM'C'	DIM'D'	PACKAGE	REMARK
47018-4000	NOTES 2 (A) OF SHEET 1	3.40	5.15	10.50	4.50	TAPE REEL	PURE TIN
47018-4001	NOTES 2 (B) OF SHEET 1						(LIGHT TIN)
47018-4002	NOTES 2 (C) OF SHEET 1						WITH CAP
47018-3000	NOTES 2 (A) OF SHEET 1	2.95	4.70	10.05	4.05	TRAY	PURE TIN
47018-3001	NOTES 2 (B) OF SHEET 1						(LIGHT TIN)
47018-3002	NOTES 2 (C) OF SHEET 1						
47018-2010	NOTES 2 (A) OF SHEET 1	2.55	4.30	9.65	3.65	TRAY	PURE TIN
47018-2011	NOTES 2 (B) OF SHEET 1						(MATTE TIN)
47018-2012	NOTES 2 (C) OF SHEET 1						
47018-2000	NOTES 2 (A) OF SHEET 1	2.55	4.30	9.65	3.65	TRAY	PURE TIN
47018-2001	NOTES 2 (B) OF SHEET 1						(LIGHT TIN)
47018-2002	NOTES 2 (C) OF SHEET 1						

ADD PART NO EC NO: SH2007-0187 DRWN: HZHA006 CHKD: JTIAN APPR: JNCHEN	QUALITY SYMBOLS ▽=0 ▽=0	GENERAL TOLERANCES (UNLESS SPECIFIED)		DIMENSION STYLE MM ONLY		SCALE 1:1	DESIGN UNITS METRIC	THIRD ANGLE PROJECTION		
				DRAWN BY TOM LI		DATE 2004/10/25		SERIAL ATA DOCKING CONNECTOR TOP MOUNT TYPE MOLEX INCORPORATED		
				CHECKED BY GRATE MA		DATE 2004/10/25				
				APPROVED BY VINCENT		DATE 2004/10/25				
REV	DESCRIPTION	DRAFT WHERE APPLICABLE MUST REMAIN WITHIN DIMENSIONS		SIZE A3		DOCUMENT NO. SD-47018-001		SHEET NO. 2 OF 2		