

Distributed by:

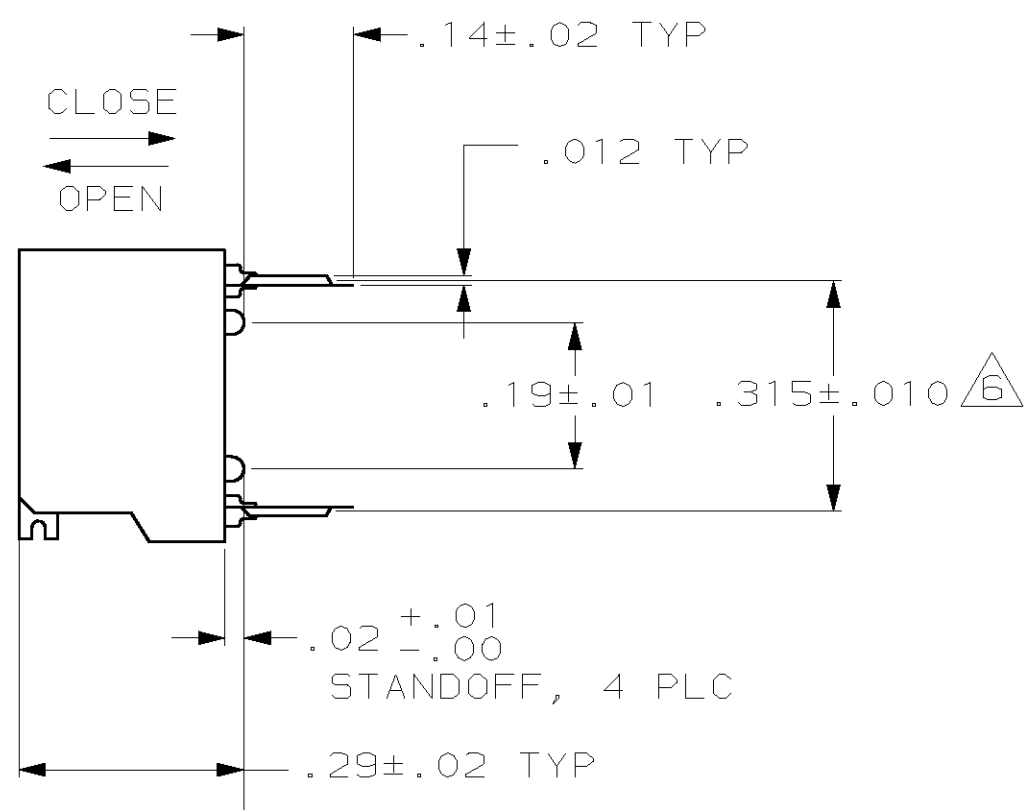
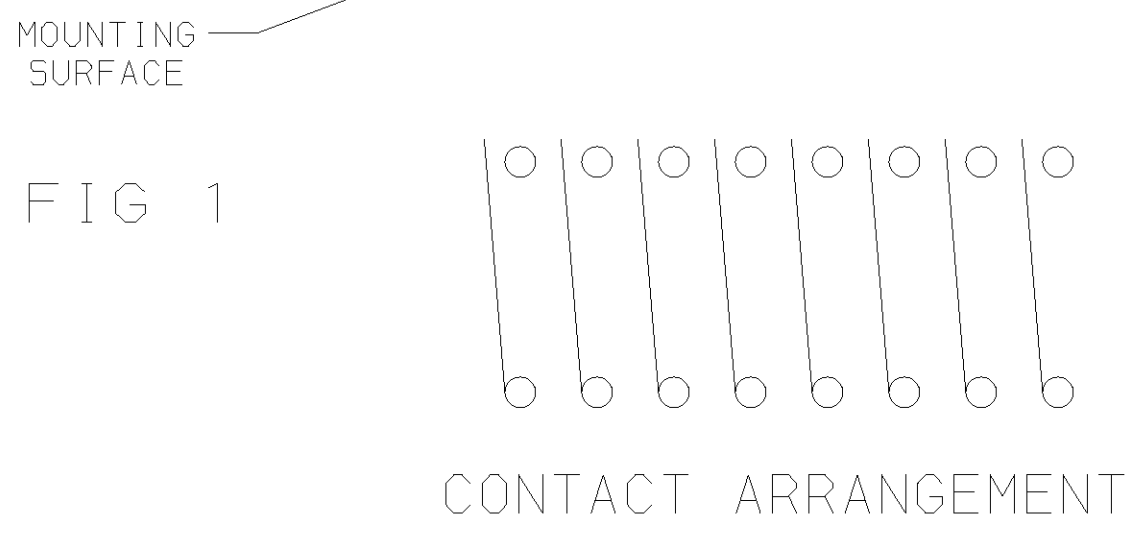
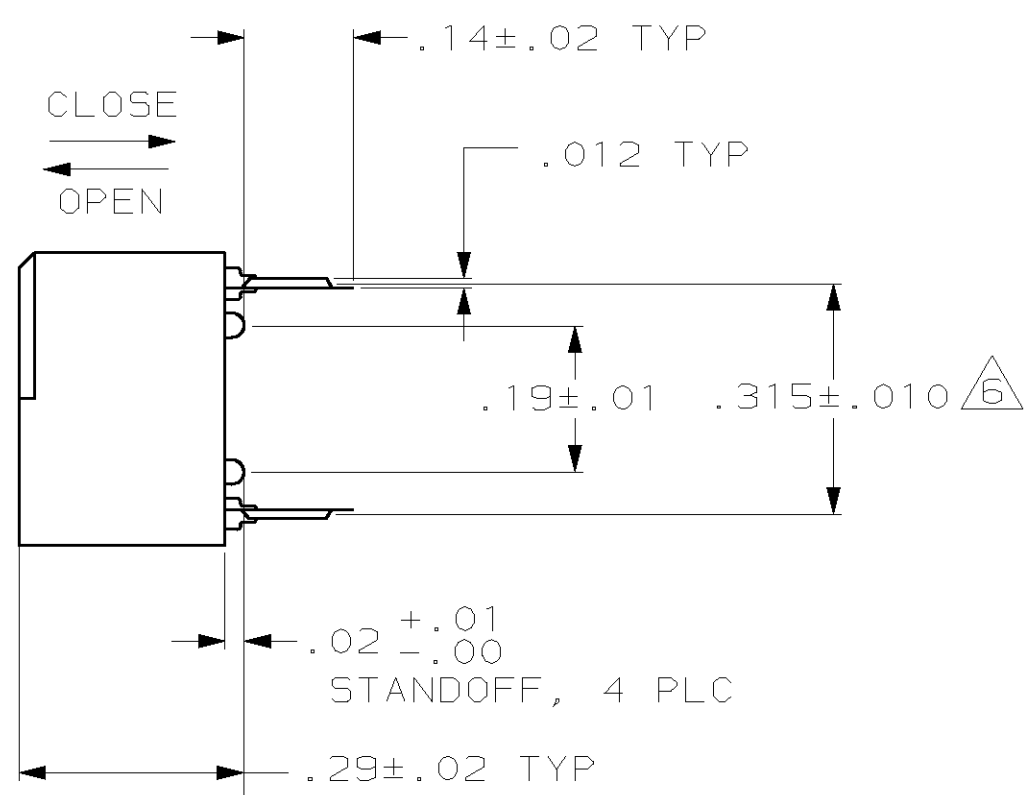
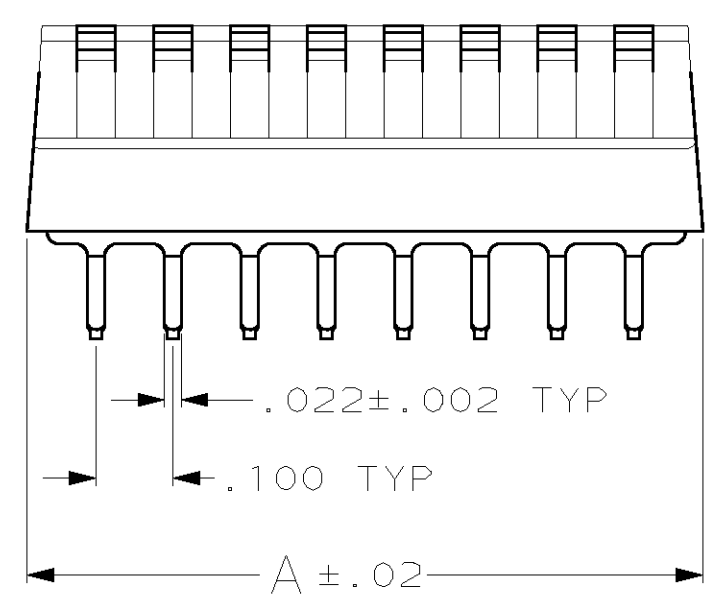
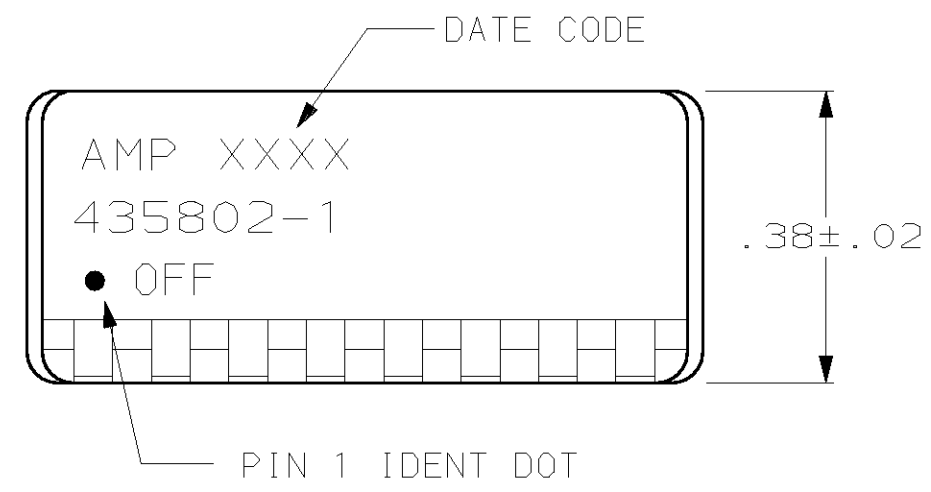
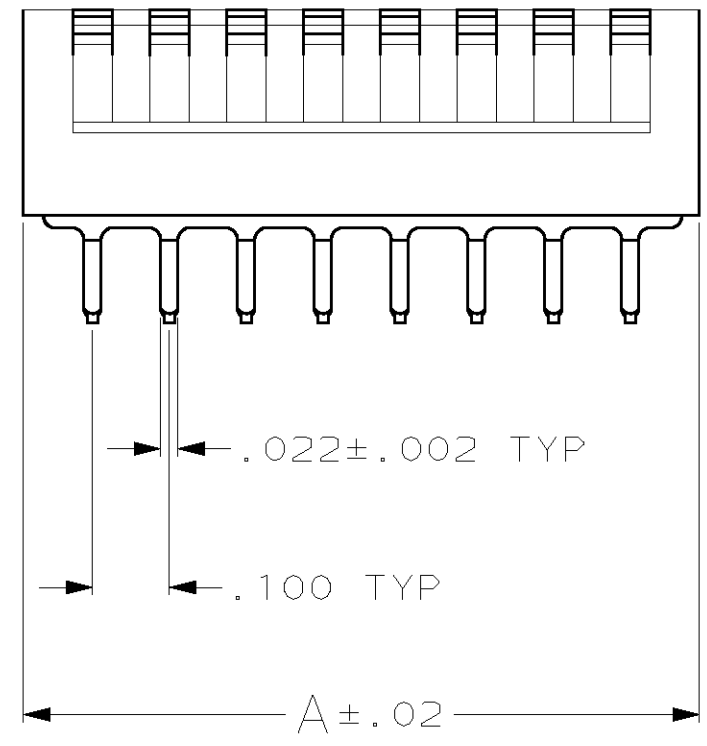
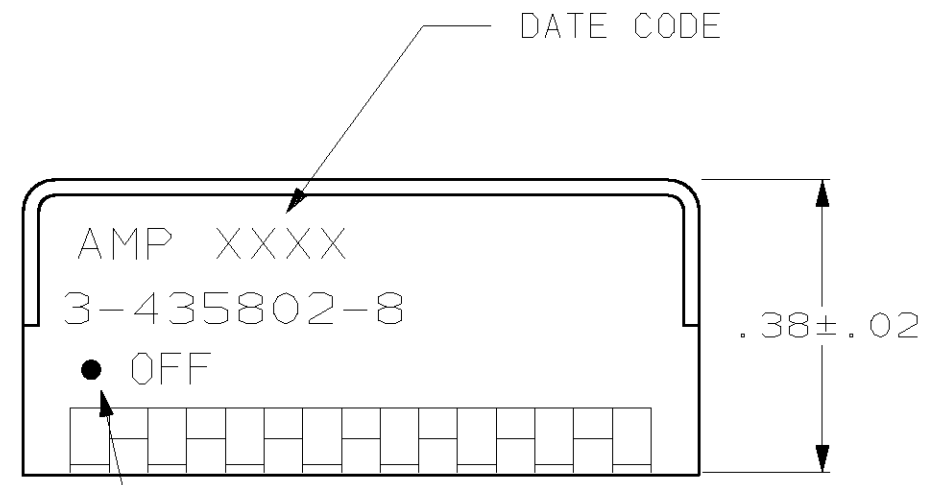
**JAMECO**<sup>®</sup>  
ELECTRONICS

**www.Jameco.com ♦ 1-800-831-4242**

The content and copyrights of the attached  
material are the property of its owner.

Jameco Part Number 206481

LOC	DIST	REVISIONS					
AG	1	P	LTR	DESCRIPTION	DATE	DWN	APVD
		AL		REV PER 063C-0045-02	09JUL02	RB	HW



- FOR ADDITIONAL SPECIFICATIONS SEE AMP PRODUCT SPEC 108-7519.
  - SWITCH SHOWN IN OPEN POSITION.
  - ALL CHARACTERS AND ROCKERS ARE WHITE, HOUSING IS BLACK.
  - STAMPING WILL VARY ON 2 AND 3 POSITION TOPS DUE TO SPACE RESTRICTIONS.
- 5 STRIPPABLE TRANSPARENT SEAL, SEE FIG 6.  
 6 .315 DIMENSION APPLIES AT TERMINAL TIPS. TERMINALS ARE .300 <sup>+.010</sup>/<sub>-.000</sub> AT MOUNTING SURFACE.  
 7 NO POSITION MARKING.  
 8 NO PART NO. MARKING.  
 9 STRIPPABLE TAPE SEAL, SEE FIGURE 8.

SUPSD BY 1-435802-6	FIG 2	FIG 3A& 7	9	1.08	10	6-435802-3
	FIG 1	FIG 3B	9	.88	8	3-435802-8
	FIG 2	7 8	5	.58	5	3-435802-1
	FIG 2	7 8	5	.88	8	3-435802-0
	FIG 2	7 8	5	.48	4	2-435802-9
SUPSD BY 1-435802-0	FIG 1	7	5	.28	2	2-435802-8
SUPSD BY 1-435802-3	FIG 1	7	5	.28	2	2-435802-7
OBSOLETE	FIG 2	7	5	1.08	10	2-435802-6
OBSOLETE	FIG 2	FIG 4	5	.88	8	2-435802-5
OBSOLETE	FIG 2	7	5	.88	8	2-435802-4
OBSOLETE	FIG 2	FIG 3A& 5	5	.48	4	2-435802-3
	FIG 2		5	1.28	12	2-435802-2
	FIG 2		5	1.18	11	2-435802-1
	FIG 2		5	1.08	10	2-435802-0
	FIG 2	FIG 3A	5	.98	9	1-435802-9
	FIG 2		5	.78	7	1-435802-8
	FIG 2		5	.68	6	1-435802-7
	FIG 2		5	.58	5	1-435802-6
	FIG 2		5	.48	4	1-435802-5
	FIG 2		5	.38	3	1-435802-4
SUPSD BY 3-1437590-2	FIG 1	FIG 3B	5	.28	2	1-435802-3
	FIG 2		5	1.28	12	1-435802-2
	FIG 1	FIG 3B	5	.28	2	1-435802-0
	FIG 2	FIG 3A	5	.88	8	435802-9
	FIG 2	FIG 3A	5	1.08	10	435802-8
	FIG 2	FIG 3A	5	.98	9	435802-7
	FIG 2	FIG 3A	5	.78	7	435802-6
	FIG 2	FIG 3A	5	.68	6	435802-5
	FIG 2	FIG 3A	5	.58	5	435802-4
	FIG 2	FIG 3A	5	.48	4	435802-3
	FIG 2	FIG 3A	5	.38	3	435802-2
	FIG 2	FIG 3A	5	.88	8	435802-1
	HOUSING	MARKING	PROTECTIVE SEAL	A	NO OF POSN	PART NO

435802-1 SHOWN

THIS DRAWING IS A CONTROLLED DOCUMENT.		DWN R. TALLEY 9-19-89	AMP Incorporated Harrisburg, PA 17105-3608
DIMENSIONS: INCHES		CHK R. MILLER 9-19-89	
TOLERANCES UNLESS OTHERWISE SPECIFIED:		APVD H. LEITER 9-19-89	
0 PLC ± 1 PLC ± 2 PLC ± 3 PLC ±.005 4 PLC ± ANGLES ±		NAME	
MATERIAL: HOUSING & ROCKERS, POLYESTER; CONTACTS, BERYLLIUM COPPER		PRODUCT SPEC	SWITCH ASSY, DIP, TYPE "C", 7000 SERIES, SPST, SIDE ACTUATED
FINISH: CONTACTS; PLATED .000030 MIN GOLD IN CONTACT AREA OVER .000050 MIN NICKEL		APPLICATION SPEC	SIZE: A2
WEIGHT: -		WEIGHT: -	CAGE CODE: 00779
CUSTOMER DRAWING		SCALE: 4:1	DRAWING NO: 435802
		SHEET 1 OF 2	RESTRICTED TO: -
		REV: AL	

THIS DRAWING IS UNPUBLISHED. RELEASED FOR PUBLICATION  
 (C) COPYRIGHT 19 BY AMP INCORPORATED. ALL RIGHTS RESERVED.

LOC	DIST	REVISIONS			
P	LTR	DESCRIPTION	DATE	DWN	APVD
AG	1	-	SEE SHEET 1	-	-

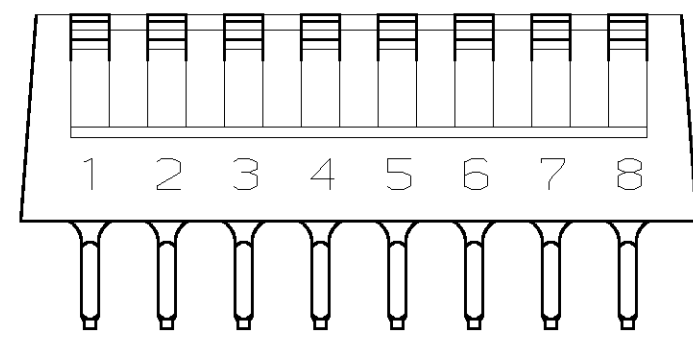


FIG 3A

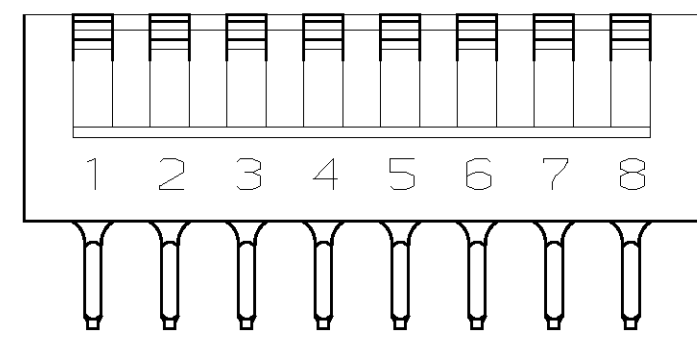


FIG 3B

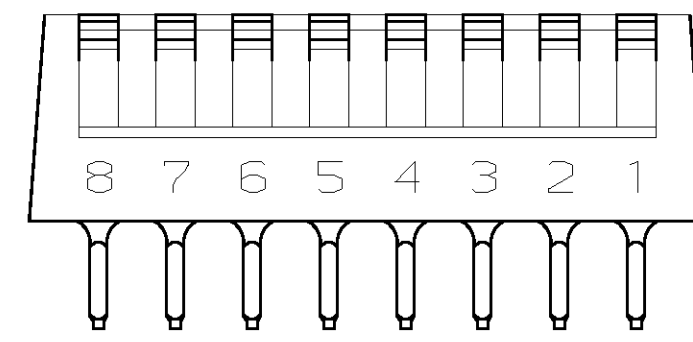


FIG 4

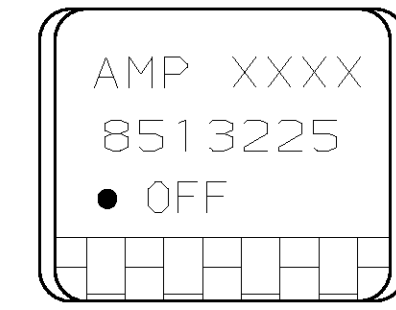
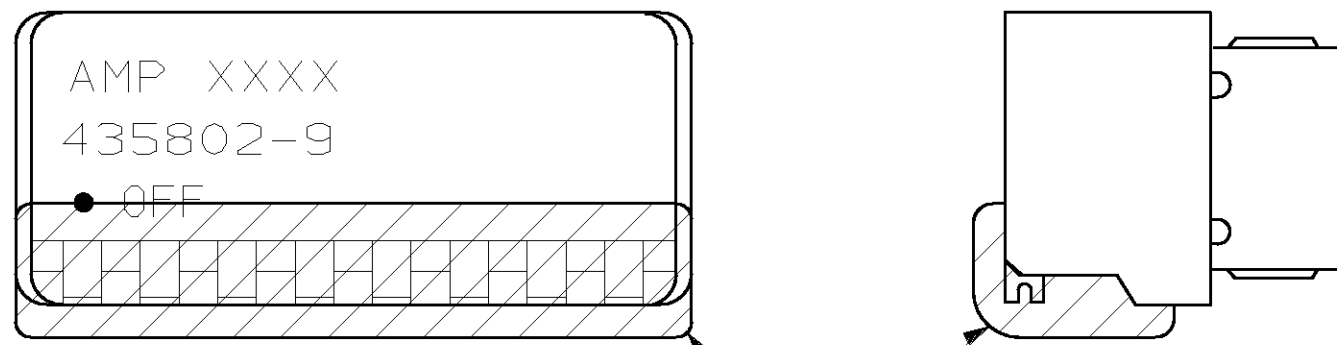
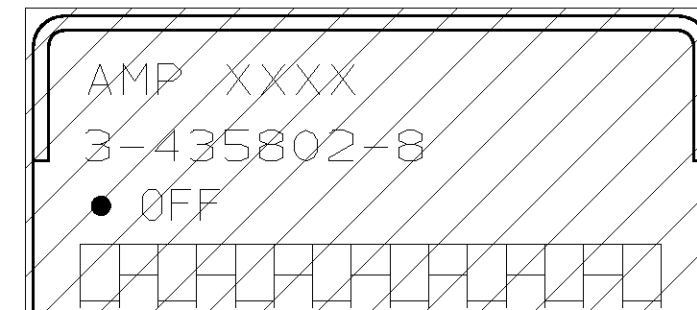


FIG 5



PROTECTIVE SEAL  
FIG 6



PROTECTIVE SEAL

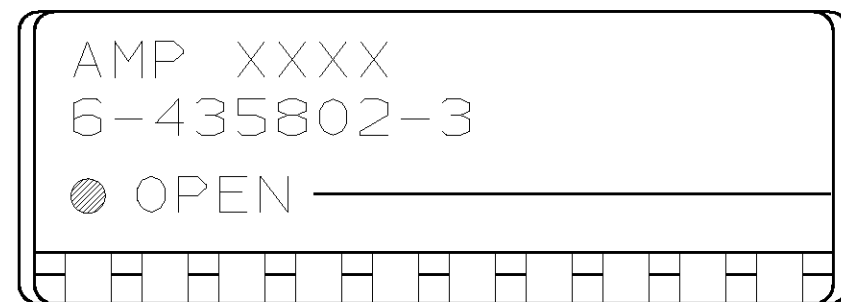


FIG 7

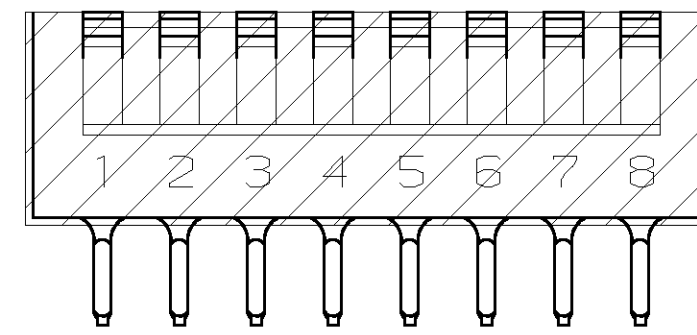


FIG 8

$\pm .010 \pm .010$   
 $\pm .005 \pm .010$  TYP

THIS DRAWING IS A CONTROLLED DOCUMENT.		DWN R. TALLEY 9-19-89	AMP Incorporated Harrisburg, PA 17105-3608	
DIMENSIONS: INCHES		CHK R. MILLER 9-19-89	NAME SWITCH ASSY, DIP, TYPE "C", 7000 SERIES, SPST, SIDE ACTUATED	
TOLERANCES UNLESS OTHERWISE SPECIFIED: 0 PLC ±- 1 PLC ±- 2 PLC ±- 3 PLC ±.005 4 PLC ±- ANGLES ±-		APVD H. LEITER 9-19-89	RESTRICTED TO	
MATERIAL SEE SHEET 1	FINISH SEE SHEET 1	PRODUCT SPEC -	SIZE A2	CAGE CODE 00779
CUSTOMER DRAWING		WEIGHT -	DRAWING NO 435802	REV AL
		SCALE 4:1	SHEET 2	OF 2