

Distributed by:

JAMECO[®]
ELECTRONICS

www.Jameco.com ♦ **1-800-831-4242**

The content and copyrights of the attached material are the property of its owner.



LIGITEK

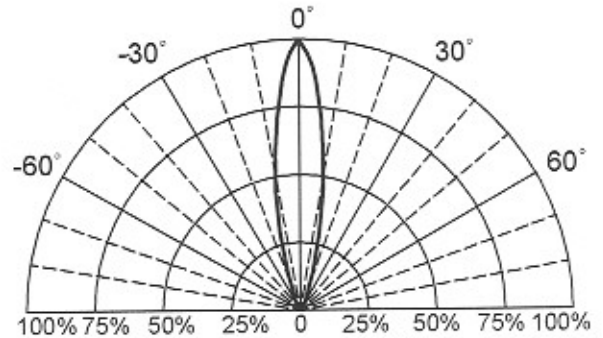
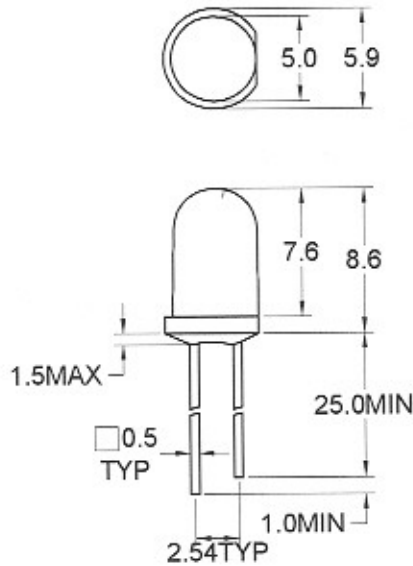
SUPER BRIGHT ROUND TYPE LED LAMPS

LVX3331

SERIES

Package Dimension

Directivity Radiation



Note: 1. All dimension are in millimeter tolerance is $\pm 0.25\text{mm}$ unless otherwise noted
 2. Specifications are subject to change without notice

• Part Selection And Application Information (Ratings At 25°C Ambient)

PART NO	MATERIAL	COLOR		Peak wave length λ_{Pnm}	Dominant wave length λ_{Dnm}	Spectral halfwidth $\Delta \lambda_{nm}$	Forward voltage @20mA(v)		Luminous intensity @20mA(mcd)		Viewing angle $2\theta_{1/2}$ (deg)
		Emitted	Lens				Min.	Max.	Min.	Typ.	
LSR3331	GaAlAs	Red	Red Transparent	660	---	20	1.5	2.4	300	550	20
LHR3331	GaAlAs	Red	Red Transparent	660	---	20	1.5	2.4	550	900	20
LUR3331	GaAlAs	Red	Red Transparent	660	---	20	1.5	2.4	1100	2200	20
LVG3331	GaP	Green	Green Transparent	565	---	20	1.7	2.6	300	450	20
LVE3331	AlGaInP	Yellow	Yellow Transparent	---	595	15	1.7	2.6	900	1500	20
LUY3331	AlGaInP	Yellow	Yellow Transparent	---	595	15	1.7	2.6	1500	2700	20
LHY3331	AlGaInP	Yellow	Yellow Transparent	---	595	15	1.7	2.6	1100	2200	20
LUG3331	AlGaInP	Green	Green Transparent	---	574	20	1.7	2.6	550	900	20

• Absolute Maximun Rating (Ta=25°C)

PARAMETER	RED			GREEN		YELLOW			ORANGE		UNIT	REMARK
	SR	HR	UR	VG	UG	HY	VY	UY				
Forward Current	30	30	40	30	30	30	30	50			mA	
Peak Forward Current Duty 1/10@10KHz	100	100	120	120	120	60	60	90			mA	
Power Dissipation	100		120	100		75	120				mW	
Reverse Current @5v	10			10		10					μA	
Operating Temperature	-40°C TO +85°C											
Storage Temperature	-40°C TO +100°C											

Lead Soldering Temperature 260°C For 5 Seconds(2.0mm From Body)