

Distributed by:

JAMECO[®]
ELECTRONICS

www.Jameco.com ♦ 1-800-831-4242

The content and copyrights of the attached
material are the property of its owner.

Jameco Part Number 2076551

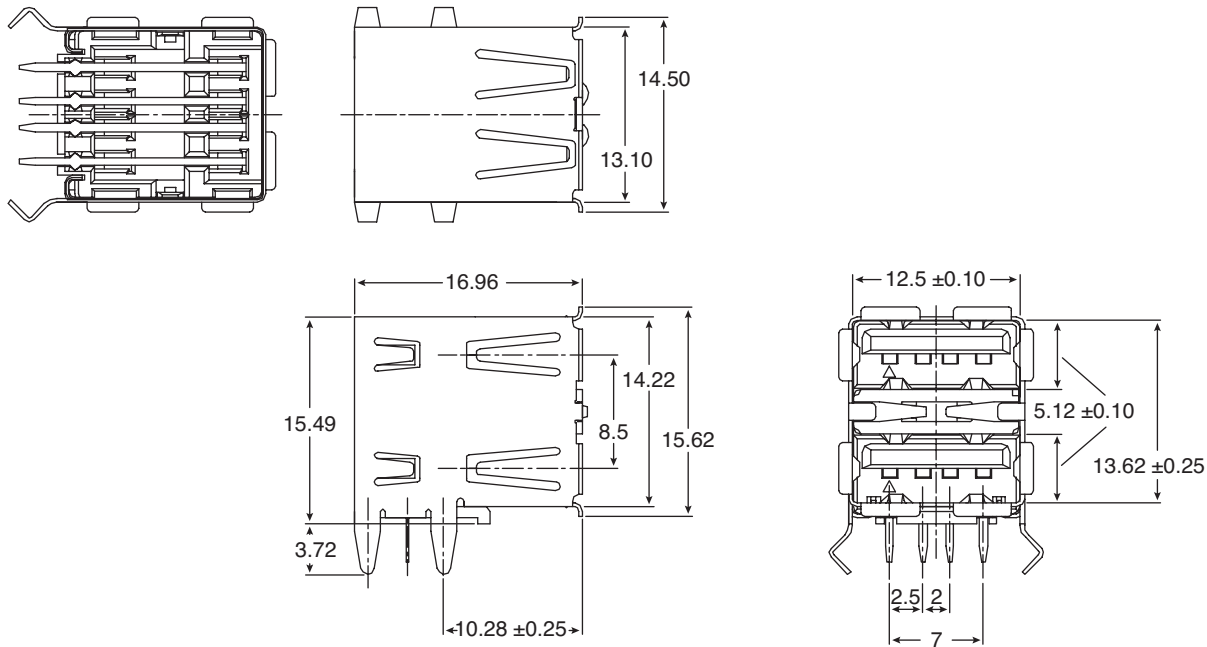
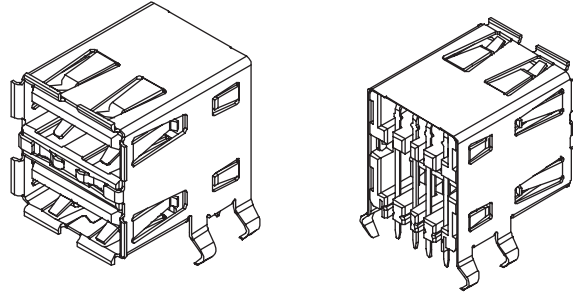
USB Connector A Type Receptacle Right Angle Double Deck Thru-hole

154-UAR64-E



USB Connector A Type Receptacle Right Angle Double Deck Thru-hole

154-UAR64-E



Dimensions: mm

Electrical Specifications		SPECIFICATIONS	
Contact Resistance:	30 milliohms max.	Part Name	Material
Dielectric w/standing Voltage:	5500 VAC	Contacts:	Copper Alloy, 5μ" Gold plating
Insulator Resistance:	1,000 Megaohms min.	Housing:	Thermoplastic, Glass filled, 130°C
Current Rating:	1.0 Ampere max. @ 30°C	Shell:	Copper Alloy/ Tin-Lead Plated over Copper
Temperature Range:	-55°C to +85°C	RoHS Compliant	
Voltage:	30 VAC		

Date Last Revised: 7/12/06

A

1
W

KC-301005