

10 Watt Interchangeable Plug Series PSA10R Adapter with Loadsense™



PHIHONG USA - Fremont

Tel: 1-510-445-0100
Fax: 1-510-445-1678

E-mail: usales@phihongusa.com
www.phihong.com

PHIHONG Taiwan - Taipei:

Tel: 886-2-29882126
886-2-29805255
Fax: 886-2-29817086
886-2-29833222

E-mail: p-sales@phihong.com.tw
www.phihong.com.tw

PHIHONG China - Tianjin:

Tel: 86-22-66880040
Fax: 86-22-66880038

E-mail: eva_liu@phihong.com.tw

PHIHONG Japan - Tokyo:

Tel: 81-3-5447-5001
Fax: 81-3-5447-5002

PHIHONG Europe - Glasgow, UK:

Tel: 44-1698-816773
Fax: 44-1698-802290

E-mail: iaian@mariam.co.uk

PHIHONG Brazil - Minas Gerais:

Tel: 55-35-34715566
Fax: 55-35-34713577

E-mail: commercial@phihong-pwm.com.br
www.phihong-pwm.com.br



Features

- Double Insulated
- Class B EMI
- Loadsense™ at DC Plug
- Field Changeable AC Plugs
- Power On LED
- 2% NL-FL Regulation

Applications

- Wireless Communications
- Portable Equipment
- Peripherals
- Networking

Safety Approvals

- cUL 1950 Class II
- CSA 22.2 M950 (CUL)
- TUV EN60950
- AS/NZS 3260
- CE

Mechanical Characteristics

- Dimensions: • Length: 86mm (3.4in) • Height: 36mm (1.4in)
• Width: 53mm (2.1in) • Weight: 120gm (4oz)

Output Specifications

Model	DC Output Voltage	Load		Ripple(1) P-P (max)	Regulation	
		Min.	Max.		Line	Load
PSA10R-033	3.3V	0A	2.0A	50mV	±1%	±3%
PSA10R-050	5.0V	0A	2.0A	50mV	±1%	±2%
PSA10R-090	9.0V	0A	1.1A	90mV	±1%	±2%
PSA10R-120	12V	0A	0.8A	120mV	±1%	±2%
PSA10R-150	15V	0A	0.67A	150mV	±1%	±2%
PSA10R-180	18V	0A	0.56A	180mV	±1%	±2%
PSA10R-240	24V	0A	0.42A	240mV	±1%	±2%

Clip ordered separately. US Plug: RPA; UK Plug: RPK; Europe Plug: RPE; Australia Plug: RPS; All 4 Plugs: RPKit.

(1) Measured at full load by using a 12 inch twisted pair terminated with a 10mfd capacitor and a 0.1mfd ceramic in parallel.

(2) No load to Full Load, 1.8 meter (6ft) DC cord, measured at the plug.

INPUT:**AC Input Voltage**

90 to 264 VAC

AC Input Frequency

47 to 63Hz

AC Input Current

0.5Arms (120VAC)

0.25Arms (240VAC)

AC Inrush Current (Cold)

30A max. (120VAC)

60A max. (240VAC)

Efficiency

65% minimum

OUTPUT:**Hold-up Time**

16ms Full load, 115VAC

Oversvoltage Protection

>120%

Overcurrent Protection

>120%, Auto Restart

ENVIRONMENTAL:**Operation Temperature
(Convection)**

0 to 35°C

**Storage Temperature
(Convection)**

-25 to +85°C

Humidity

10 to 90% RH (Non-condensing)

Emissions

FCC Class B

EN 55022 B

Immunity

EN 50082-1: 1997

61000-4-2, Level 3

61000-4-3, Level 2

61000-4-4, Level 2

61000-4-5, Level 3

61000-4-6, Level 3

61000-4-11

GENERAL:**Leakage Current**

<0.25mA (254VAC)

Dielectric Withstand (Hipot)

Input to Output

3000VAC, 1 min., 10mA

Switching Frequency

100KHz (typical)

MTBF (Full Load, 25°C)

150K Hrs.

MIL-HDBK-217F

Power On Indicator

Green LED

AC Input Plugs

(Order Separately)

USA: RPA

Europe: RPE

UK: RPK

Australia: RPS

DC Output Cord/Connector

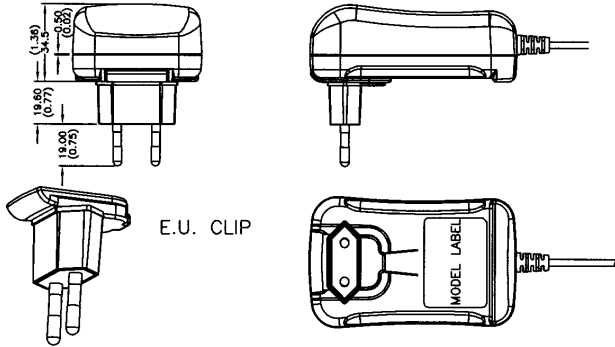
1.8meter

2.1mm x 5.5mm x 10mm Coaxial

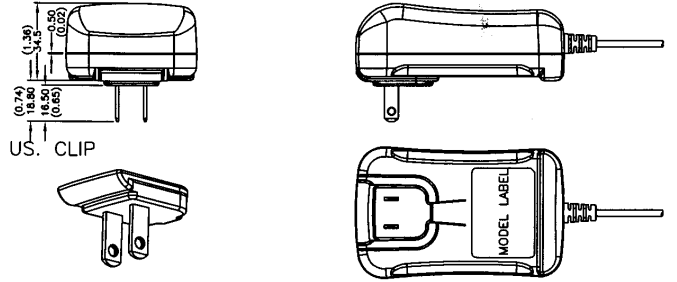
Plug; Center Positive Standard

PSA10R Dimension Diagram Unit: mm (inch)

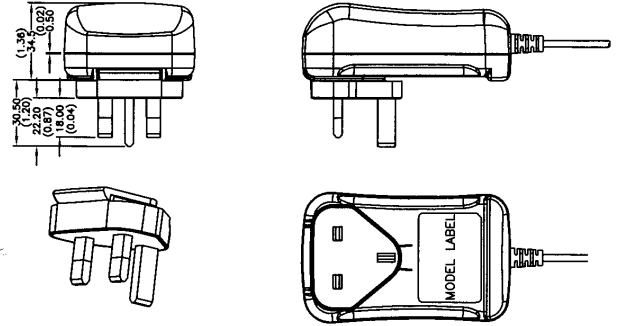
ASSEMBLY FROM HOUSING AND E.U. CLIP



ASSEMBLY FROM HOUSING AND US. CLIP



ASSEMBLY FROM HOUSING AND U.K. CLIP



ASSEMBLY FROM HOUSING AND AUST CLIP

