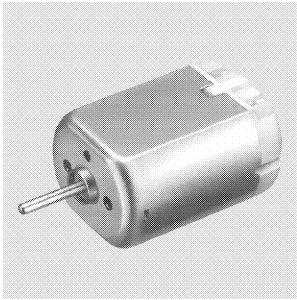
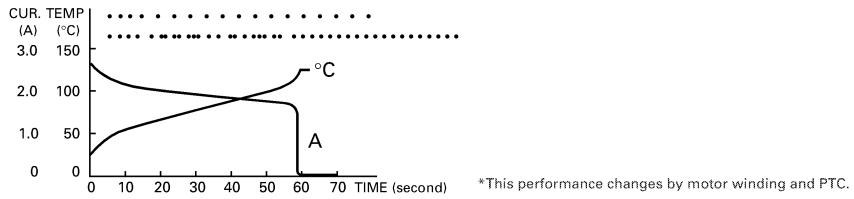


Typical Applications **Automotive Products** : Door Lock Actuator / Trunk Opener

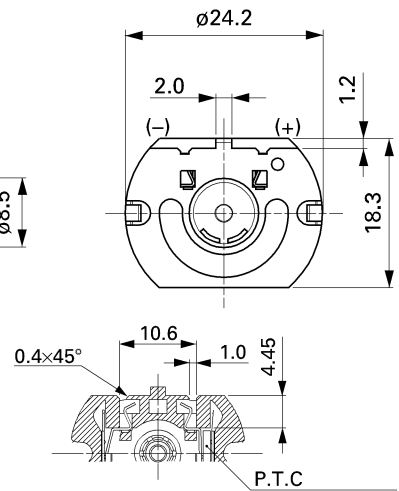
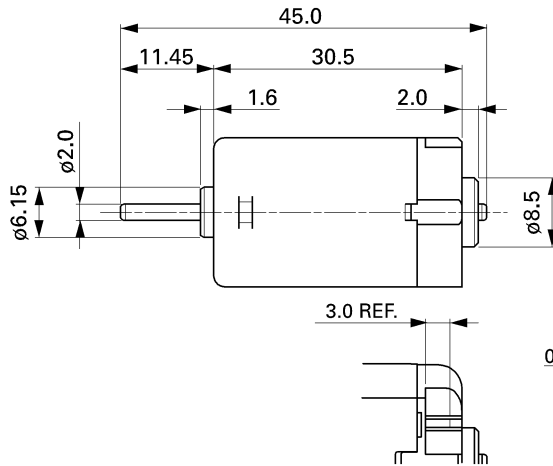
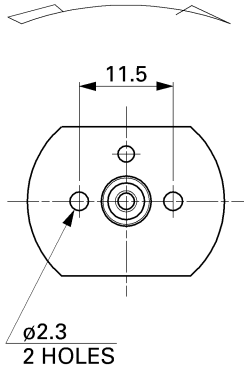


MODEL	VOLTAGE		NO LOAD		AT MAXIMUM EFFICIENCY					STALL		
	OPERATING RANGE	NOMINAL	SPEED r/min	CURRENT A	SPEED r/min	CURRENT A	TORQUE mN-m	TORQUE g-cm	OUTPUT W	TORQUE mN-m	TORQUE g-cm	CURRENT A
FC-280PT-20150	9 ~ 15	12V CONSTANT	12000	0.11	10260	0.65	4.20	42.8	4.51	28.9	295	3.80
FC-280ST-18180	9 ~ 15	12V CONSTANT	11400	0.075	9840	0.47	3.28	33.4	3.37	24.0	245	3.00



**DIRECTION OF ROTATION**

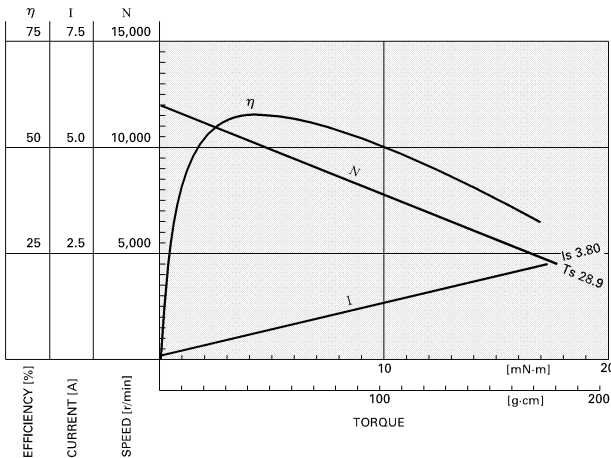
UNIT: MILLIMETERS



WEIGHT: 35g (APPROX)

**FC-280PT-20150**

12.0V



**FC-280ST-18180**

12.0V

