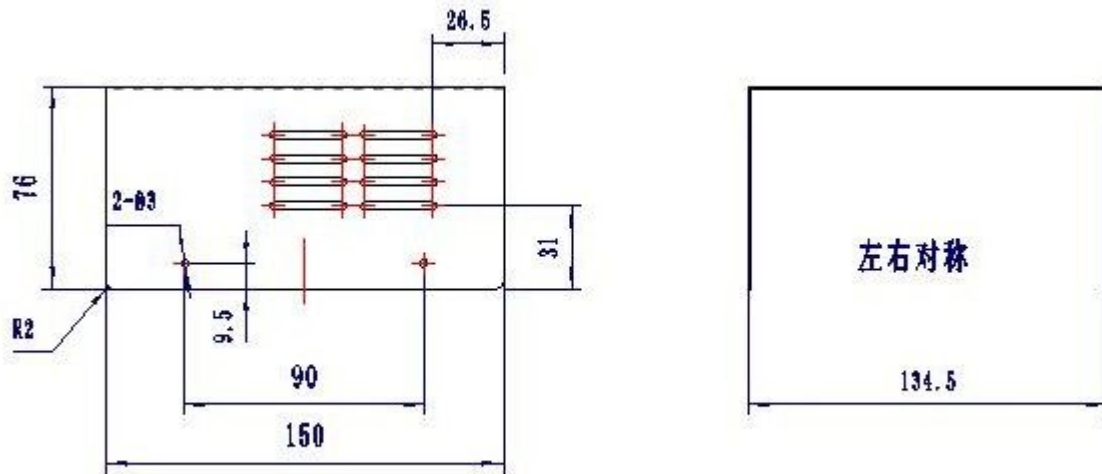


Metal Case

Mfg: SFM-002  
CASE,METAL,5.9x5.3x3.0 INCH  
BLACK TOP COVER,RoHS

Top Cover : Black Wrinkle( XR100)



Body : Matte White (XR243)

