

Distributed by:

JAMECO[®]
ELECTRONICS

www.Jameco.com ♦ 1-800-831-4242

The content and copyrights of the attached
material are the property of its owner.

Jameco Part Number 2094135



- 40A rating at 85°C.
- Compatible Faston Terminal arrangement with this kind of power relay.
- Simple magnetic circuit to meet mass production for low cost offer.
- Standard type contact form is 1 form C, and 2 form A contact arrangement also available.
- Operating ambient temperature range covers from -40°C to 85°C .

SPECIFICATIONS

Contact

Arrangement	1a, 1b, 1c,2a	
Contact material	Silver alloy	
Contact resistive (By voltage drop 1A 6VDC)	50mΩ Max.	
UL/C-UL rating Resistive load (cos φ =1)	NC: 30A	14VDC
	NO: 40A	14VDC
Max.switching current	40A	
Max.switching power	500W	
Exoected life(min.ope)	Mechanical (at 120 cpm)	1X10 ⁷
	Electrical (at 20 cpm)	1X10 ⁵

Characteristics

Operate time	10 msec.Max.	
Release time	10 msec.Max.	
Operating humidity	45~85%RH	
Initial breakdown voltage	Between contact and coil	500VAC (50/60Hz) for 1 min.
	Between open contacts	500VAC (50/60Hz) for 1 min.
Insulation resistance	100MΩ Min.(500VDC)	
Ambient temperature	-40℃ ~ +85℃	
Temperature rise(Max.)	75℃	
Shock resistance	Functional	20G Min.
	Destruction	100G Min.
Vibration resistance	Functional	10 TO 55 Hz at double Amplitude of 1.5mm
	Destruction	10 TO 55 Hz at double Amplitude of 1.5mm
Unit weight	Approx.42g	

Coil

Nominal operating power	1.8W
-------------------------	------

TYPICAL APPLICATION

For direct connection with Cell Motors, Transmission. and Anti-Locking Brake System, etc.

ORDERING INFORMATION

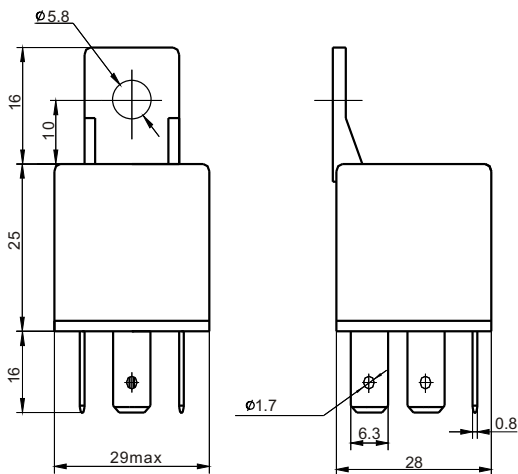
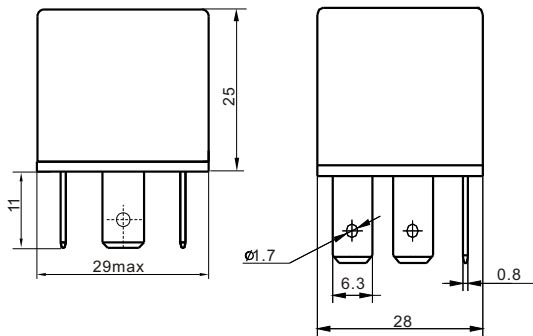
SARL — 1 12 D M F R						
Type	Number of pole	Coil type	Coil sensitivity	Contact form	Case form	Specialties marker
SARL	1:1 pole 2:2 pole	05,06,09, 12,18,24	D:1.8W	M: Form A B:1 Form B Nil:1 Form C	F:flange case type Nil:No Bracket	R: Resistance D: Diode

COIL(at 20°C)

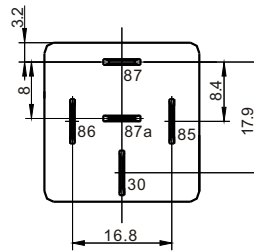
SARL

Voltage code	Nominal voltage (VDC)	Nominal current (mA)	Coil resistance ($\Omega \pm 10\%$)	Drop-out voltage (VDC)	Pick-up voltage (VDC)	Nominal operating power (W)	Max allowable voltage (VDC)
05	5	357.14	14	5%Min.	70%Max.	1.8	150% of nominal voltage
06	6	300.00	20				
09	9	200.00	45				
12	12	150.00	80				
18	18	100.00	180				
24	24	75.00	320				

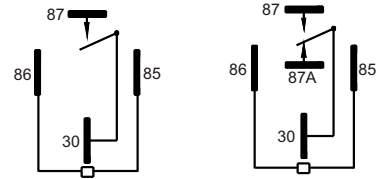
OUTLINE DIMENSIONS, WIRING DIAGRAM AND PC BOARD LAYOUT(unit:mm)



PCB layout

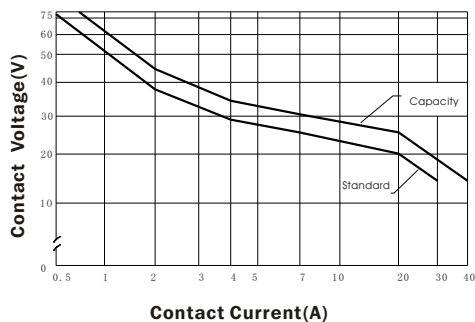


Wiring Diagram



CHARACTERISTICS CURVE

MAXIMUM SWITCHING POWER



Ambient Temperature

