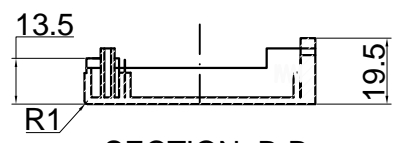
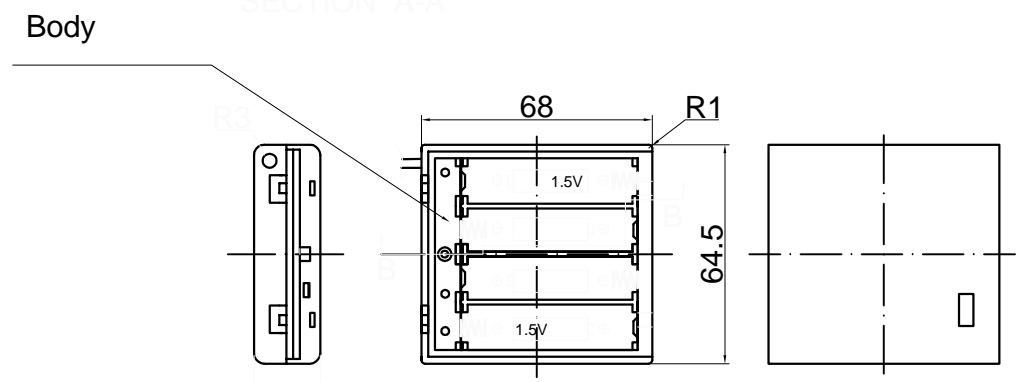
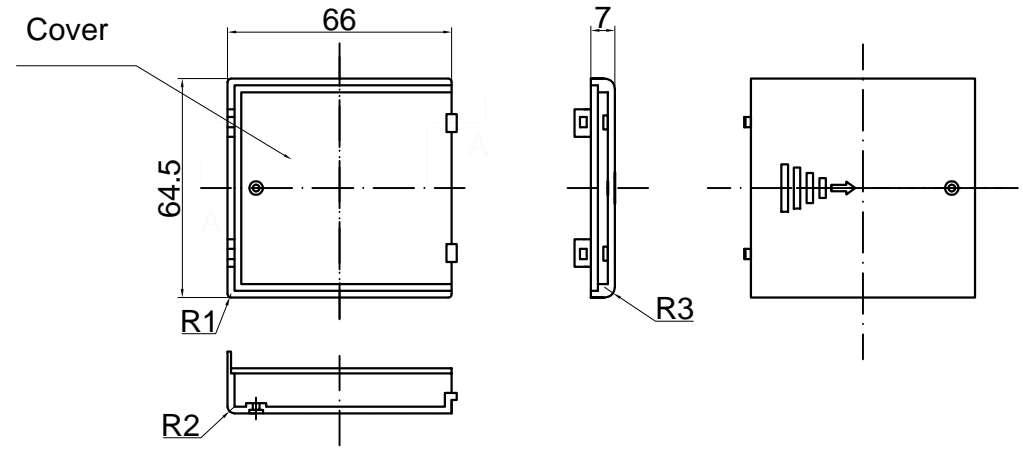


Rev.	Revision	Date
01	Update	7/18/2011



SECTION B-B

DRAWN	Books	7/18/2011	UNIT: mm		
CHECKED	Sara	7/18/2011	Sinotech		
ENG APPR.					
MFG APPR.					
Q.A.					
SBH-341-1A (no switch)			SIZE A4	P/N 2095453	REV 01
			SCALE: 1:1	Weight(kg):	SHEET 1 OF 1