

Distributed by:

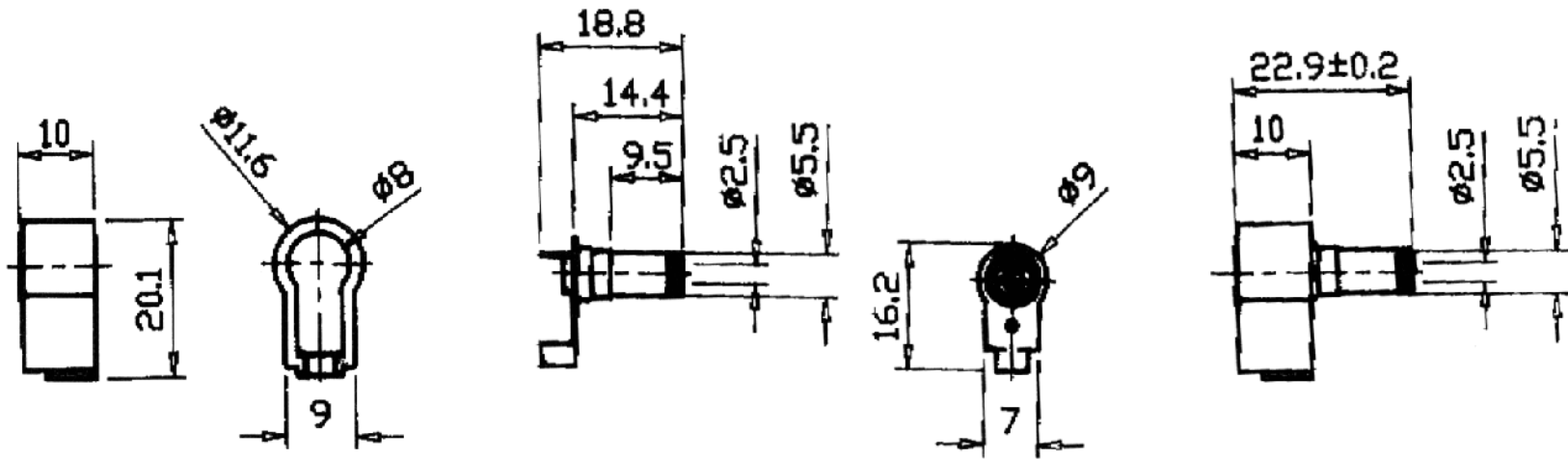
JAMECO[®]
ELECTRONICS

www.Jameco.com ♦ 1-800-831-4242

The content and copyrights of the attached
material are the property of its owner.

Jameco Part Number 2099163

Date	Rev.	Description



DCC. NO.
A4 DRAWING NO.

MATERIAL		GOLDSUN ELECTRONICS CO., LTD.	
DRAWN: Kiki Chen		JAMECO NO.	GOLDSUN NO. PL-008
VERIFY PEOPLE: Wendy Chen, Fanny Du		Description DC POWER PLUG, RIGHT-ANGLE	
UNIT: mm	SCALE:	SHEET 1 OF 1	CAS No: ERN No:
			Rev. 1