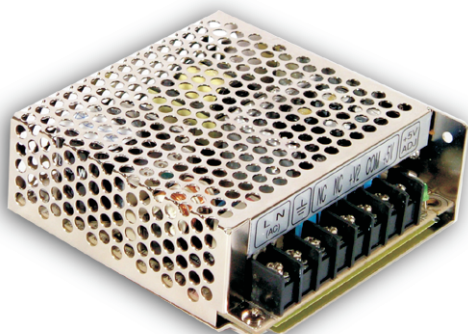




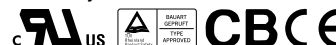
### 50W Dual Output Switching Power Supply

### RID-50 series



#### ■ Features :

- Isolated output & GND for CH1,CH2
- Universal AC input / Full range
- Protections: Short circuit / Overload / Over voltage
- Cooling by free air convection
- LED indicator for power on
- 100% full load burn-in test
- All using 105°C long life electrolytic capacitors
- Withstand 300VAC surge input for 5 second
- High operating temperature up to 70°C
- Withstand 5G vibration test
- High efficiency, long life and high reliability
- 3 years warranty

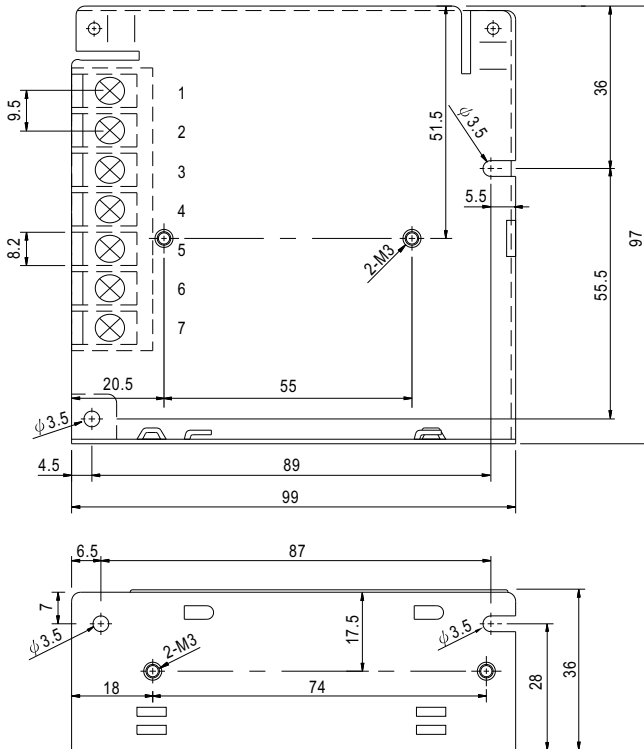


#### SPECIFICATION

MODEL	RID-50A		RID-50B		
OUTPUT	OUTPUT NUMBER	CH1	CH2	CH1	CH2
	DC VOLTAGE	5V	12V	5V	24V
	RATED CURRENT	6A	2A	4A	1.4A
	CURRENT RANGE	0.3 ~ 6A	0.3 ~ 3A	0.3 ~ 6A	0.2 ~ 2A
	RATED POWER	54W		53.6W	
	RIPPLE & NOISE (max.) Note.2	80mVp-p	120mVp-p	80mVp-p	150mVp-p
	VOLTAGE ADJ. RANGE	CH1: 4.75 ~ 5.5V		CH1: 4.75 ~ 5.5V	
	VOLTAGE TOLERANCE Note.3	±2.0%	±8.0%	±2.0%	+8,-4%
	LINE REGULATION Note.4	±0.5%	±1.5%	±0.5%	±1.5%
	LOAD REGULATION Note.5	±0.5%	±5.0%	±0.5%	±5.0%
SETUP, RISE TIME	500ms, 20ms/230VAC 1200ms, 30ms/115VAC at full load				
HOLD UP TIME (Typ.)	60ms/230VAC 14ms/115VAC at full load				
INPUT	VOLTAGE RANGE	88 ~ 264VAC 125 ~ 373VDC (Withstand 300VAC surge for 5sec. Without damage)			
	FREQUENCY RANGE	47 ~ 63Hz			
	EFFICIENCY (Typ.)	80%		81%	
	AC CURRENT (Typ.)	1.3A/115VAC 0.8A/230VAC			
	INRUSH CURRENT (Typ.)	COLD START 33A/230VAC			
LEAKAGE CURRENT	<2mA / 240VAC				
PROTECTION	OVERLOAD	110 ~ 150% rated output power Protection type : Hiccup mode, recovers automatically after fault condition is removed			
	OVER VOLTAGE	CH1: 5.75 ~ 6.75V Protection type : Hiccup mode, recovers automatically after fault condition is removed			
ENVIRONMENT	WORKING TEMP.	-25 ~ +70°C (Refer to output load derating curve)			
	WORKING HUMIDITY	20 ~ 90% RH non-condensing			
	STORAGE TEMP., HUMIDITY	-40 ~ +85°C, 10 ~ 95% RH			
	TEMP. COEFFICIENT	±0.03%/°C (0 ~ 50°C) on +5V output			
	VIBRATION	10 ~ 500Hz, 5G 10min./1cycle, period for 60min. each along X, Y, Z axes			
SAFETY & EMC (Note 6)	SAFETY STANDARDS	UL60950-1, TUV EN60950-1 approved			
	WITHSTAND VOLTAGE	I/P-O/P:3KVAC I/P-FG:1.5KVAC O/P-FG:0.5KVAC			
	ISOLATION RESISTANCE	I/P-O/P, I/P-FG, O/P-FG:100M Ohms / 500VDC / 25°C / 70% RH			
	EMI CONDUCTION & RADIATION	Compliance to EN55022 (CISPR22) Class B			
	HARMONIC CURRENT	Compliance to EN61000-3-2,-3			
	EMS IMMUNITY	Compliance to EN61000-4-2,3,4,5,6,8,11; ENV50204, EN61000-6-2 (EN50082-2), heavy industry level, criteria A			
OTHERS	MTBF	172.6Khrs min. MIL-HDBK-217F (25°C)			
	DIMENSION	99*97*36mm (L*W*H)			
	PACKING	0.41Kg; 45pcs/19.5Kg/0.9CUFT			
NOTE	<ol style="list-style-type: none"> <li>1. All parameters NOT specially mentioned are measured at 230VAC input, rated load and 25°C of ambient temperature.</li> <li>2. Ripple &amp; noise are measured at 20MHz of bandwidth by using a 12" twisted pair-wire terminated with a 0.1uf &amp; 47uf parallel capacitor.</li> <li>3. Tolerance : includes set up tolerance, line regulation and load regulation.</li> <li>4. Line regulation is measured from low line to high line at rated load.</li> <li>5. Load regulation is measured from 0% to 100% rated load.</li> <li>6. The power supply is considered a component which will be installed into a final equipment. The final equipment must be re-confirmed that it still meets EMC directives.</li> </ol>				

### Mechanical Specification

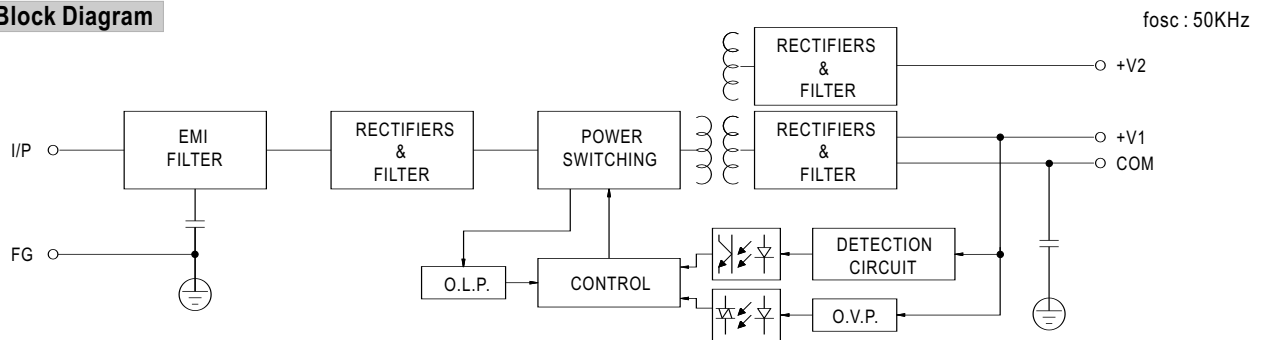
Case No. 905B Unit:mm



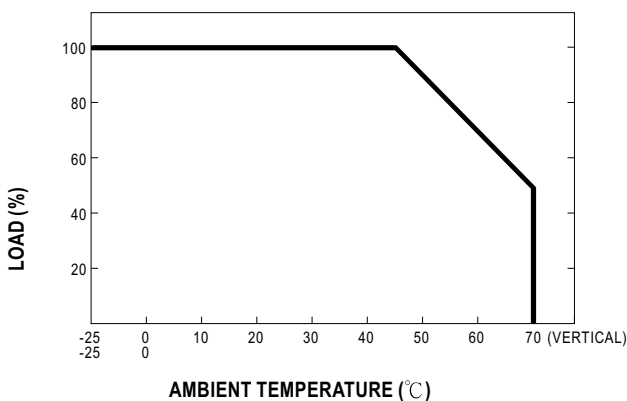
Terminal Pin No. Assignment

Pin No.	Assignment	Pin No.	Assignment
1	AC/L	5	DC OUTPUT +V2
2	AC/N	6	DC OUTPUT G1
3	FG $\equiv$	7	DC OUTPUT +V1
4	DC OUTPUT G2		

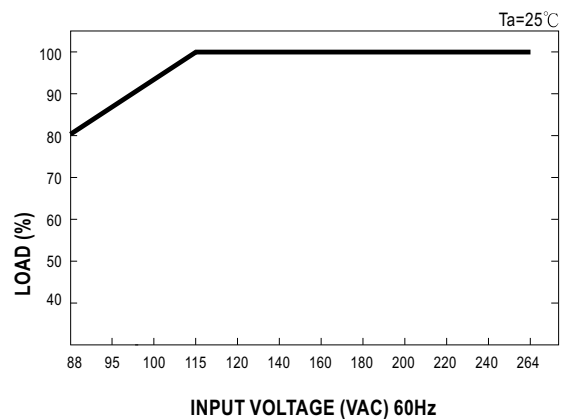
### Block Diagram



### Derating Curve



### Output Derating VS Input Voltage



MODEL : RID-50A

OUTPUT FUNCTION TEST

NO	TEST ITEM	SPECICATION	TEST CONDITION	RESULT	VERDICT
1	RIPPLE & NOISE	V1: 80 mVp-p (Max) V2: 120 mVp-p (Max)	I/P: 230 VAC O/P:FULL LOAD Ta:25°C	V1: 12 mVp-p (Max) V2: 48 mVp-p (Max)	P
2	OUTPUT VOLTAGE ADJUST RANGE	CH1: 4.75 V~-5.75 V	I/P: 230 VAC I/P: 115 VAC O/P:MIN LOAD Ta:25°C	4.51V~ 5.88 V/ 230 VAC 4.51V ~ 5.88 V /115 VAC	P
3	OUTPUT VOLTAGE TOLERANCE	V1: -2%~ 2 % (Max) V2: -8%~ 8 % (Max)	I/P: 115VAC / 264 VAC O/P:FULL/ MIN LOAD Ta:25°C	V1: 0.2%~- 0.3 % V2: 3%~- -3.1 %	P
4	LINE REGULATION	V1: -0.5%~ 0.5 % (Max) V2: -1.5%~ 1.5 % (Max)	I/P: 115 VAC ~ 264 VAC O/P:FULL LOAD Ta:25°C	V1: 0%~ 0 % V2: 0.5%~- -1 %	P
5	LOAD REGULATION	V1: -0.5%~ 0.5 % (Max) V2: -5%~ 5 % (Max)	I/P: 230 VAC O/P:FULL -MIN LOAD Ta:25°C	V1: 0.2%~- -0.4 % V2: -1%~- -1.3 %	P
6	CROSS REGULATION	V1: -0.5%~ 0.5 % (Max) V2: -5%~ +5 % (Max)	I/P: 230 VAC O/P: Testing O/P 60%LOAD Other O/P 40%LOAD Change Ta:25°C	V1: 0.2%~- -0.2 % V2: 2%~- -2 %	P
7	SET UP TIME	230 VAC/ 500 ms (Max) 115 VAC/ 1200 ms (Max)	I/P: 230 VAC I/P: 115 VAC O/P:FULL LOAD Ta:25°C	230 VAC/ 209 ms 115 VAC/ 583 ms	P
8	RISE TIME	230VAC/ 20ms (Max) 115VAC/ 30 ms (Max)	I/P: 230 VAC I/P: 115 VAC O/P:FULL LOAD Ta:25°C	230 VAC/ 11 ms 115 VAC/ 10 ms	P
9	HOLD UP TIME	230 VAC/ 50 ms(TYP) 115 VAC/ 10 ms (TYP)	I/P: 230 VAC I/P: 115 VAC O/P:FULL LOAD Ta:25°C	230 VAC/ 83 ms 115 VAC/ 15 ms	P
10	OVER/UNDERSHOOT TEST	< ±5%	I/P: 230 VAC O/P:FULL LOAD Ta:25°C	TEST: < 5 %	P
11	DYNAMIC LOAD	V1: 1000 mVp-p	I/P: 230 VAC O/P:FULL /Min LOAD 90%DUTY/1KHZ Ta:25°C	377 mVp-p	P

**INPUT FUNCTION TEST**

NO	TEST ITEM	SPECIFICATION	TEST CONDITION	RESULT	VERDICT
1	INPUT VOLTAGE RANGE	88VAC~264 VAC	I/P:TESTING O/P:FULL LOAD Ta:25°C	67V~ 264 V	P
			I/P: LOW-LINE-3V=85 V HIGH-LINE+15%=300 V O/P:FULL/MIN LOAD ON: 30 Sec . OFF: 30 Sec 10MIN ( AC POWER ON/OFF NO DAMAGE )	TEST: OK	
2	INPUT FREQUENCY RANGE	47 HZ ~63 HZ NO DAMAGE OSC	I/P: 88 VAC ~ 264 VAC O/P:FULL-MIN LOAD Ta:25°C	TEST: OK	P
3	EFFICIENCY	80 % (TYP)	I/P: 230 VAC O/P:FULL LOAD Ta:25°C	80.1%	P
4	INPUT CURRENT	230 V/ 0.8 A (TYP) 115 V/ 1.3 A(TYP)	I/P: 230 VAC I/P: 115 VAC O/P:FULL LOAD Ta:25°C	I = 0.66 A/ 230 VAC I = 1.1 A/ 115 VAC	P
5	INRUSH CURRENT	230 V/ 36 A(TYP) COLD START	I/P: 230 VAC O/P:FULL LOAD Ta:25°C	I = 27 A/ 230 VAC	P
6	LEAKAGE CURRENT	< 2 mA / 240 VAC	I/P: 254 VAC O/P:Min LOAD Ta:25°C	L-FG: 0.8 mA N-FG: 0.8 mA	P

**PROTECTION FUNCTION TEST**

NO	TEST ITEM	SPECIFICATION	TEST CONDITION	RESULT	VERDICT
1	OVER LOAD PROTECTION	110 %- 150 %	I/P: 230 VAC I/P: 115 VAC O/P: TESTING Ta:25°C	120%/230VAC 117%/115 VAC Hiccup Mode	P
2	OVER VOLTAGE PROTECTION	CH1: 5.75 V~ 6.75 V	I/P: 230 VAC I/P: 115 VAC O/P: MIN LOAD Ta:25°C	6.18 V/ 230 VAC 6.18 V/ 115 VAC Hiccup Model	P
3	SHORT PROTECTION	SHORT EVERY OUTPUT 1 HOUR NO DAMAGE	I/P: 264 VAC O/P: FULL LOAD Ta:25°C	NO DAMAGE Hiccup Mode	P



ENVIRONMENT TEST

NO	TEST ITEM	SPECIFICATION	TEST CONDITION	RESULT	VERDICT
1	TEMPERATURE RISE TEST	MODEL : RID-50A 1. ROOM AMBIENT BURN-IN : 6 HRS I/P: 230 VAC O/P: 100% LOAD Ta= 28.7 °C 2. HIGH AMBIENT BURN-IN : 13 HRS I/P: 230 VAC O/P: 100% LOAD Ta= 39.4 °C			P
2	OVER LOAD BURN-IN TEST	NO DAMAGE 1 HOUR ( MIN )	I/P: 230 VAC O/P: 113% Ta:25°C	TEST : OK	P
3	LOW TEMPERATURE TURN ON TEST	TURN ON AFTER 2 HOUR	I/P: 230 VAC O/P: 100 % LOAD Ta= -20 °C	TEST : OK	P
4	HIGH HUMIDITY HIGH TEMPERATURE HIGH VOLTAGE TURN ON TEST	AFTER 12 HOURS IN CHAMBER ON CONTROL 60 °C NO DAMAGE	I/P: 230 VAC O/P:FULL LOAD Ta= 60 °C HUMIDITY= 95 %R.H	TEST : OK	P
5	TEMPERATURE COEFFICIENT	± 0.03 %(0-50°C)	I/P: 230 VAC O/P:FULL LOAD	± 0.01 %(0-50°C)	P
6	VIBRATION TEST	1 Set Operating at I/P: 230 VAC NO LOAD (1) Waveform: Sine Wave (2) Frequency:10-500Hz (3) Sweep Time:10min/sweep cycle (4) Acceleration:5G (5) Test Time:1 hour in each axis (X.Y.Z) (6) Ta:25°C		TEST : OK	P

**SAFETY TEST**

NO	TEST ITEM	SPECIFICATION	TEST CONDITION	RESULT	VERDICT
1	WITHSTAND VOLTAGE	I/P-O/P: 3.0 KVAC/min I/P-FG: 1.5 KVAC/min O/P-FG: 0.5 KVAC/min	I/P-O/P: 3.6 KVAC/min I/P-FG: 1.8 KVAC/min O/P-FG: 0.6 KVAC/min Ta:25°C	I/P-O/P: 5.07 mA I/P-FG: 4.66 mA O/P-FG: 3.19 mA NO DAMAGE	P
2	ISOLATION RESISTANCE	I/P-O/P:500VDC>100MΩ I/P-FG: 500VDC>100MΩ O/P-FG:500VDC>100MΩ	I/P-O/P: 500 VDC I/P-FG: 500 VDC O/P-FG: 500 VDC Ta:25°C	I/P-O/P: 10G Ω I/P-FG: 5G Ω O/P-FG: 6G Ω NO DAMAGE	P
3	GROUNDING CONTINUITY	FG(PE) TO CHASSIS OR TRACE < 100 mΩ	40 A / 2min Ta:25°C	6 mΩ	P
4	APPROVAL	TUV: Certificate NO : R50046939 UL: File NO : E183223			P

**E.M.C TEST**

NO	TEST ITEM	SPECIFICATION	TEST CONDITION	RESULT	VERDICT
1	HARMONIC	EN61000-3-2 CLASS A	I/P: 230 VAC/50HZ O/P:FULL LOAD Ta:25°C	PASS	P
2	CONDUCTION	EN55022 CLASS B	I/P: 230 VAC (50HZ) O/P:FULL/50% LOAD Ta:25°C	PASS	P
3	RADIATION	EN55022 CLASS B	I/P: 230 VAC (50HZ) O/P:FULL LOAD Ta:25°C	PASS Test by certified Lab	P
4	E.S.D	EN61000-4-2 INDUSTRY AIR:8KV / Contact:4KV	I/P: 230 VAC/50HZ O/P:FULL LOAD Ta:25°C	CRITERIA A	P
5	E.F.T	EN61000-4-4 INDUSTRY INPUT: 2KV	I/P: 230 VAC/50HZ O/P:FULL LOAD Ta:25°C	CRITERIA A	P
6	SURGE	IEC61000-4-5 INDUSTRY L-N :2KV L,N-PE:4KV	I/P: 230 VAC/50HZ O/P:FULL LOAD Ta:25°C	CRITERIA A	P
7	Test by certified Lab & Test Report Prepare				



**M.T.B.F & LIFE CYCLE CALCULATION**

NO	TEST ITEM	SPECICATION	TEST CONDITION	RESULT	VERDICT
1	CAPACITOR LIFE CYCLE	SUPPOSE C 56 IS THE MOST CRITICAL COMPONENT I/P: 230 VAC O/P:FULL LOAD Ta= 25 °C LIFE TIME= 77616 HRS I/P: 230 VAC O/P:FULL LOAD Ta= 25 °C LIFE TIME= 41065 HRS			P
2	MTBF	MIL-HDBK-217F NOTICES2 PARTS COUNT TOTAL FAILURE RATE: 172.6K HRS			P

**COMPONENT STRESS TEST**

NO	TEST ITEM	SPECICATION	TEST CONDITION	RESULT	VERDICT
1	Power Transistor ( D to S) or (C to E) Peak Voltage	Q 1 Rated 2SK2628 : 600 V 6 A	I/P:High-Line +3V = 267 V O/P: (1)Full Load Turn on (2) Full Load (3)Output Short Ta:25°C	(1) 482 V (2) 554 V (3) 570 V	P
2	Diode Peak Voltage	D55 Rated MBR1545CT: 45A/ 15V  D50 Rated BYQ-28X-200 :200V 10A	I/P:High-Line +3V = 267 V O/P: (1)Full Load Turn on (2) Full Load (3)Output Short Ta:25°C	(1) 30.4 V (2) 33.6 V (3) 30.4 V  (1) 37.6 V (2) 42.8 V (3) 38.4 V	P
3	Clamp Diode Peak Voltage	D1 Rated EGP20J : 600 V 2 A	I/P:High-Line +3V = 267 V O/P: (1)Full Load (2) Dynamic Load 90%Duty/1KHz Ta:25°C	(1) 544 V (2) 536 V	P
4	Input Capacitor Voltage	C 5 Rated RUBYCON : 150 u/ 400 V	I/P:High-Line +3V = 267 V O/P: (1)Full Load Turn on /Off (2) Min load Turn on /Off (3)Full Load /Min load Change Ta:25°C	(1) 372 V (2) 372 V (3) 372 V	P
5	Control IC Voltage Test	U 1 Rated 1203 : 16 V	I/P:High-Line +3V =267 V O/P: (1)Full Load Turn on /Off (2) Min load Turn on /Off (3)Full Load /Min load Change Ta:25°C	(1) 12.9 V (2) 12.9 V (3) 10.6 V	P

DATE	SAMPLE	TEST RESULT	TESTER	APPROVAL
2004/3/2	RD SAMPLE	PASS	VINCENT TSENG	MAX LIN
2004/6/2	PRODUCT SAMPLE A403C41	PASS	VINCENT TSENG	MAX LIN
2004/8/30	PRODUCT SAMPLE A408B16	PASS	VINCENT TSENG	MAX LIN

2003/12/12 A50-F023