



■ Features :

- DC input active surge current limiting
- Wide 4:1~2:1 DC input range (24V: 19~72VDC, 96V:72~144VDC)
- Protections: Short circuit / Overload / Over voltage / Over temperature / Input polarity (by fuse)
- 2000VAC I/O Isolation
- Forced air cooling by built-in DC fan with fan speed control function
- Output OK Signal
- Built-in remote ON-OFF control
- Built-in remote sense function
- 3 years warranty

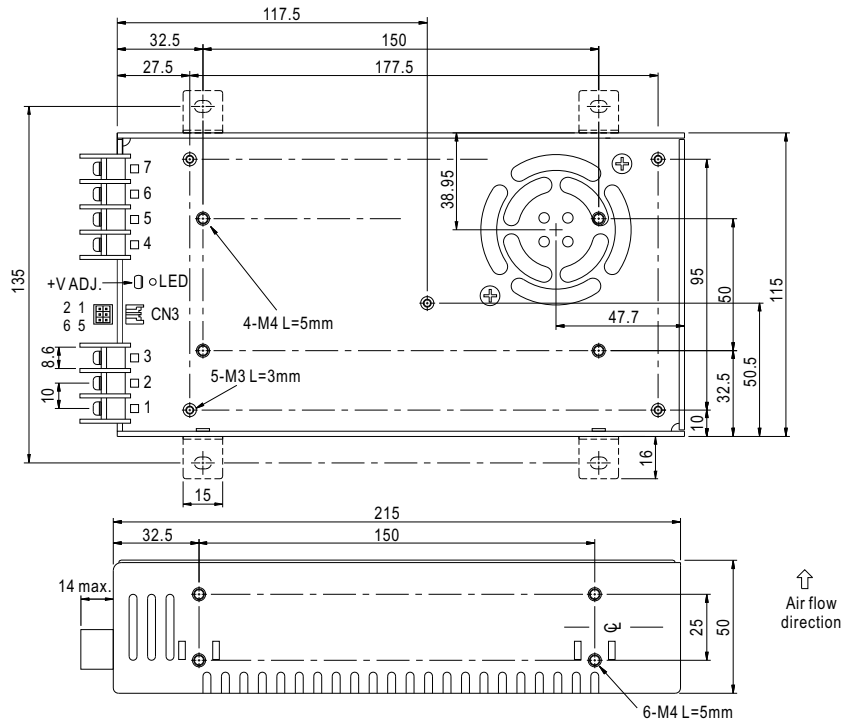
CB CE

SPECIFICATION

MODEL	SD-500L-12	SD-500L-24	SD-500L-48	SD-500H-12	SD-500H-24	SD-500H-48	
OUTPUT	DC VOLTAGE	12V	24V	48V	12V	24V	48V
	RATED CURRENT	40A	21A	10.5A	40A	21A	10.5A
	CURRENT RANGE	0 ~ 40A	0 ~ 21A	0 ~ 10.5A	0 ~ 40A	0 ~ 21A	0 ~ 10.5A
	RATED POWER	480W	504W	504W	480W	504W	504W
	RIPPLE & NOISE (max.) Note.2	150mVp-p	150mVp-p	150mVp-p	150mVp-p	150mVp-p	150mVp-p
	VOLTAGE ADJ. RANGE	11 ~ 15V	23 ~ 30V	46 ~ 60V	11 ~ 15V	23 ~ 30V	46 ~ 60V
	VOLTAGE TOLERANCE Note.3	±1.0%	±1.0%	±1.0%	±1.0%	±1.0%	±1.0%
	LINE REGULATION	±0.5%	±0.5%	±0.5%	±0.5%	±0.5%	±0.5%
	LOAD REGULATION	±0.5%	±0.5%	±0.5%	±0.5%	±0.5%	±0.5%
SETUP, RISE TIME	500ms, 50ms at full load						
INPUT	VOLTAGE RANGE Note.5	19 ~ 72VDC			72 ~ 144VDC		
	EFFICIENCY (Typ.)	86%	88%	89%	87%	89%	90%
	DC CURRENT (Typ.)	24.2A/19VDC	24.8A/24VDC	12A/48VDC	8A/72VDC	6A/96VDC	
	CURRENT (AT NO LOAD)	Max. 0.2A/48VDC			Max. 0.1A/96VDC		
	INRUSH CURRENT (Typ.)	60A/48VDC			60A/96VDC		
PROTECTION	OVERLOAD	105 ~ 125% rated output power Protection type : Constant current limiting, shut down o/p voltage after about 5 sec., re-power on to recover					
	OVER VOLTAGE	16 ~ 19V	30.8 ~ 35.2V	62 ~ 68V	16 ~ 19V	30.8 ~ 35.2V	62 ~ 68V
	OVER TEMPERATURE	80°C ±5°C (TSW1) detect on heatsink of power transistor 80°C ±5°C (L-48V,H-24V,H-48V), 85°C ±5°C (L-24V), 90°C ±5°C (L-12V), 95°C ±5°C (H-12V) (TSW2 : detect on heatsink of o/p diode) Protection type : Shut down o/p voltage, recovers automatically after temperature goes down					
FUNCTION	REMOTE ON/OFF CONTROL	Please refer to function manual					
	OUTPUT OK SIGNAL	Open collector signal low when PSU turns on, max. sink current : 10mA					
ENVIRONMENT	WORKING TEMP.	-20 ~ +60°C (Refer to output load derating curve)					
	WORKING HUMIDITY	20 ~ 90% RH non-condensing					
	STORAGE TEMP., HUMIDITY	-40 ~ +85°C, 10 ~ 95% RH					
	TEMP. COEFFICIENT	±0.02%/°C (0 ~ 50°C)					
	VIBRATION	10 ~ 500Hz, 2G 10min./1cycle, 60min. each along X, Y, Z axes					
SAFETY & EMC (Note 4)	SAFETY STANDARDS	IEC60950-1 CB approved by TUV					
	WITHSTAND VOLTAGE	I/P-O/P:2KVAC I/P-FG:1.5KVAC O/P-FG:0.5KVAC					
	ISOLATION RESISTANCE	I/P-O/P, I/P-FG, O/P-FG:100M Ohms/500VDC 25°C 70%RH					
	EMI CONDUCTION & RADIATION	Compliance to EN55022 (CISPR22) Class B					
	EMS IMMUNITY	Compliance to EN61000-4-2,3,4,6,8; ENV50204, light industry level, criteria A					
OTHERS	MTBF	196.3K hrs min. MIL-HDBK-217F (25°C)					
	DIMENSION	215*115*50mm (L*W*H)					
	PACKING	1.15Kg; 12pcs/14.8Kg/0.92CUFT					
NOTE	<ol style="list-style-type: none"> 1. All parameters NOT specially mentioned are measured at 48, 96VDC input, rated load and 25°C of ambient temperature. 2. Ripple & noise are measured at 20MHz of bandwidth by using a 12" twisted pair-wire terminated with a 0.1uf & 47uf parallel capacitor. 3. Tolerance : includes set up tolerance, line regulation and load regulation. 4. The power supply is considered a component which will be installed into a final equipment. The final equipment must be re-confirmed that it still meets EMC directives. 5. Derating may be needed under low input voltages. Please check the derating curve for more details. 						

Mechanical Specification

Case No. 912A Unit:mm



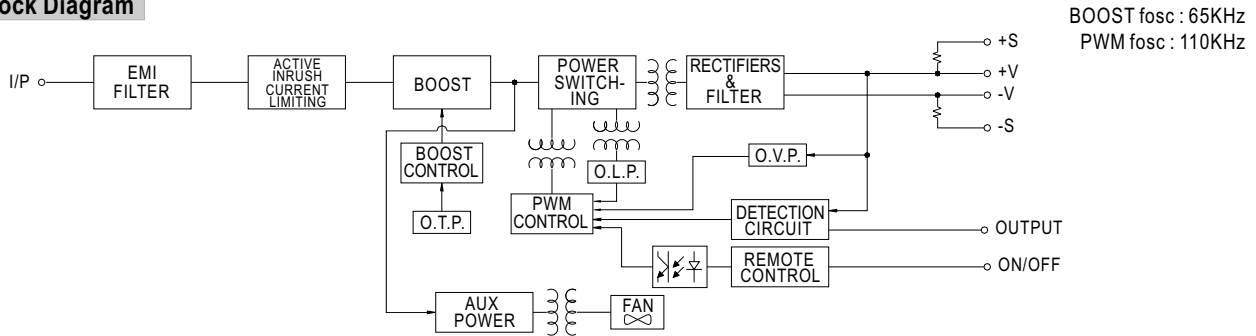
DC Input Terminal Pin No. Assignment

Pin No.	Assignment	Pin No.	Assignment
1	DC INPUT V+	4,5	-V
2	DC INPUT V-	6,7	+V
3	FG \perp		

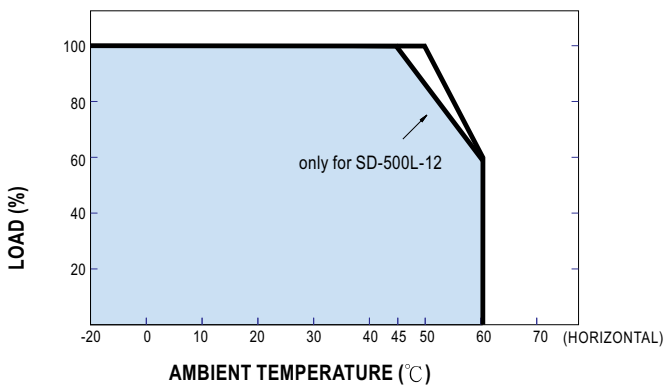
Control Pin No. Assignment (CN3) : JST B6B-PHDSS or equivalent

Pin No.	Assignment	Pin No.	Assignment	Mating Housing	Terminal
1	+S	4	GND	JST PHDR-06VS or equivalent	JST SPHD-002T-P0.5 or equivalent
2	-S	5	RC		
3	OUTPUT OK	6	RCG		

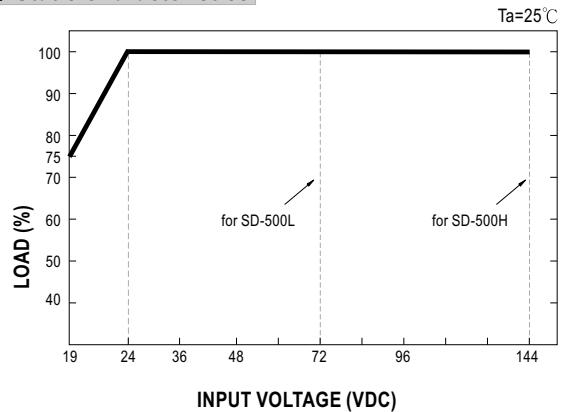
Block Diagram



Derating Curve



Static Characteristics



Function Description of CN3

Pin No.	Function	Description
1	+S	Positive sensing. The +S signal should be connected to the positive terminal of the load. The +S and -S leads should be twisted in pair to minimize noise pick-up effect. The maximum line drop compensation is 0.5V.
2	-S	Negative sensing. The -S signal should be connected to the negative terminal of the load. The -S and +S leads should be twisted in pair to minimize noise pick-up effect. The maximum line drop compensation is 0.5V.
3	O/P OK	Open collector signal, reference to pin4(GND). Low when PSU turns on. The maximum sink current is 10mA and the maximum external voltage is 13V.
4	GND	These pins connect to the negative terminal (-V).
5	RC	Remote ON/OFF
6	RCG	Remote ON/OFF ground

Function Manual

1. Remote ON/OFF

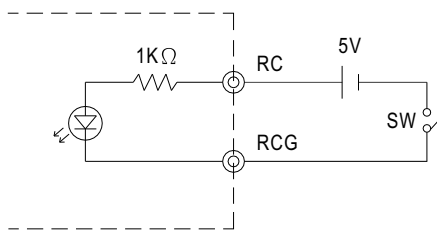
- (1) Remote ON/OFF control becomes available by applying voltage in CN3
- (2) Table 1.1 shows the specification of Remote ON/OFF function
- (3) Fig.1.2 shows the example to connect Remote ON/OFF control function

Table 1.1 Specification of Remote ON/OFF

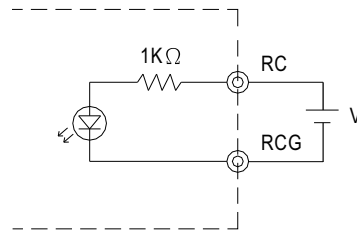
Connection Method	Fig. 1.2(A)	Fig. 1.2(B)
Output on	SW Open	V=0~0.8Vdc
Output off	SW Close	V=4~10Vdc

Fig.1.2 Examples of connecting remote ON/OFF

(A) Using external voltage source



(B) Using external voltage source



2. Output OK signal

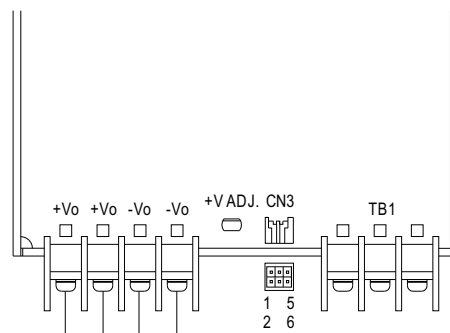
"Output OK" is an open collector signal. It indicates the output status of the PSU. It can operate in two ways : One is sinking current from external signal ; the other is sending out a voltage signal.

2-1 Sink current :

The maximum sink current is 10mA and the maximum external voltage is 13V.

2-2 Voltage signal :

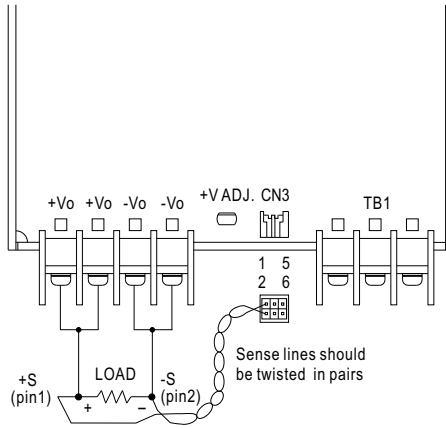
Between O/P OK(pin3) and GND(pin4)	Output Status
0 ~ 0.5V	ON
12 ~ 13V	OFF



1	CN3	5
+S	O/P OK	RC
-S	GND	RCG
2		6

3.Remote Sense

The remote sensing compensates voltage drop on the load wiring up to 0.5V.



1	CN3	5
+S	O/P OK	RC
-S	GND	RCG
2		6

MODEL : SD-500H-48

OUTPUT FUNCTION TEST

NO	TEST ITEM	SPECIFICATION	TEST CONDITION	RESULT	VERDICT
1	RIPPLE & NOISE	V1:150 mVp-p (Max)	I/P: 96 VDC O/P:FULL LOAD Ta:25°C	V1: 42 mVp-p (Max)	P
2	OUTPUT VOLTAGE ADJUST RANGE	CH1: 46V - 60V	I/P: 96VDC O/P:MIN LOAD Ta:25°C	44.6 V - 61.8 V	P
3	OUTPUT VOLTAGE TOLERANCE	V1: 1%~ -1%	I/P: 72 VDC / 144 VDC O/P:FULL/ MIN LOAD Ta:25°C	V1: 0.02 %~ -0.02 %	P
4	LINE REGULATION	V1: 0.5 %~ -0.5 %	I/P: 72VDC ~144VDC O/P:FULL LOAD Ta:25°C	V1: 0 %~ 0 %	P
5	LOAD REGULATION	V1: 0.5 %~ -0.5 %	I/P: 96VDC O/P:FULL ~MIN LOAD Ta:25°C	V1: 0.02 %~ -0.02 %	P
6	SET UP TIME	500 ms	I/P: 96VDC O/P:FULL LOAD Ta:25°C	154 ms	P
7	RISE TIME	50ms	I/P: 96VDC O/P:FULL LOAD Ta:25°C	31 ms	P
8	OVER/UNDERSHOOT TEST	< ±5%	I/P: 96 VDC O/P:FULL LOAD Ta:25°C	TEST: <5 %	P
9	DYNAMIC LOAD	V1: 4800mVp-p	I/P: 96 VDC O/P:FULL /Min LOAD 90%DUTY/1KHZ Ta:25°C	568 mVp-p	P

INPUT FUNCTION TEST

NO	TEST ITEM	SPECIFICATION	TEST CONDITION	RESULT	VERDICT
1	INPUT VOLTAGE RANGE	72VDC~144VDC	I/P:TESTING O/P:FULL LOAD Ta:25°C	70 V~ 144V	P
			I/P: LOW-LINE-0.2V= 71.8 V HIGH-LINE+5%= 151 V O/P:FULL/MIN LOAD ON: 30 Sec . OFF: 30 Sec 10MIN (AC POWER ON/OFF NO DAMAGE)	TEST: OK	
2	EFFICIENCY	90 % (TYP)	I/P: 96 VDC O/P:FULL LOAD Ta:25°C	90.57 %	P
3	INPUT CURRENT	6 A(TYP)	I/P: 96 VDC O/P:FULL LOAD Ta:25°C	I = 5.85 A	P
4	INRUSH CURRENT	60A (TYP) COLD START	I/P: 96 VDC O/P:FULL LOAD Ta:25°C	I = 46 A	P
5	CURRENT (at no load)	0.1A (MAX)	I/P: 96 VDC O/P:NO LOAD Ta:25°C	I = 0.07 A	P

PROTECTION FUNCTION TEST

NO	TEST ITEM	SPECIFICATION	TEST CONDITION	RESULT	VERDICT
1	OVER LOAD PROTECTION	105 %- 125 %	I/P: 96 VDC O/P:TESTING Ta:25°C	115 % Constant Current Limiting , Shut down O/P voltage ,after about 5 sec Re-power ON to recover	P
2	OVER VOLTAGE PROTECTION	CH1: 62 V~ 68V	I/P: 96 VDC O/P:MIN LOAD Ta:25°C	64.4 V Shut down Re- power ON	P
3	OVER TEMPERATURE PROTECTION	SPEC: TSW2 > 80°C $\pm 5^{\circ}\text{C}$ O.T.P TSW1 > 80°C $\pm 5^{\circ}\text{C}$ O.T.P NO DAMAGE	I/P: 96 VDC O/P:FULL LOAD	O.T.P Active Shut down o/p voltage , recovers automatically after temperature goes down	P
4	SHORT PROTECTION	SHORT EVERY OUTPUT 1 HOUR NO DAMAGE	I/P: 144 VDC O/P: FULL LOAD Ta:25°C	NO DAMAGE Constant Current Limiting , Shut down O/P voltage ,after about 5 sec Re-power ON to recover	P

CONTROL FUNCTION TEST

NO	TEST ITEM	SPECIFICATION	TEST CONDITION	RESULT	VERDICT									
1	FAN SPEED CONTROL	NO LOAD= 8.5V ± 1V FULL LOAD= 12.6V ± 0.5V	I/P: 96VDC O/P: FULL LOAD Ta: 25°C	NO LOAD= 8.95 V FULL LOAD= 12.7 V	P									
2	REMOTE CONTROL	Remote on/off control becomes available by applying voltage in CN3 (RC/RCG) <table border="1" data-bbox="375 504 805 638"> <tr> <td>Connection method</td> <td>Fig 1.2(A)</td> <td>Fig 1.2(B)</td> </tr> <tr> <td>Output on</td> <td>SW Open</td> <td>V=0-0.8VDC</td> </tr> <tr> <td>Output off</td> <td>SW Close</td> <td>V=4VDC-10VDC</td> </tr> </table> Fig 1.2(A)/ Fig 1.2(B) see SPEC function manual	Connection method	Fig 1.2(A)	Fig 1.2(B)	Output on	SW Open	V=0-0.8VDC	Output off	SW Close	V=4VDC-10VDC	I/P: 96VDC O/P: FULL LOAD Ta: 25°C	a. OK b. 0 V- 2.7 V POWER ON 2.8V-10V POWER OFF	P
Connection method	Fig 1.2(A)	Fig 1.2(B)												
Output on	SW Open	V=0-0.8VDC												
Output off	SW Close	V=4VDC-10VDC												
3	REMOTE SENSE	S+ / S- >0.3V	I/P: 96 VDC O/P: FULL LOAD Ta: 25°C	>0.3 V	P									
4	OUTPUT OK SIGNAL	OPEN COLLECTOR SIGNAL LOW WHEN PSU TURN ON, MAX. SINK CURRENT 10mA, external voltage is 13V 0-0.5V OUTPUT STATUS ON 12-13V OUTPUT STATUS OFF.	I/P: 96 VDC O/P: FULL LOAD Ta: 25°C	SINK CURRENT: 10 mA 0.03V : OUTPUT STATUS ON 12.8V: OUTPUT STATUS OFF	P									

ENVIRONMENT TEST

NO	TEST ITEM	SPECIFICATION	TEST CONDITION	RESULT	VERDICT
1	TEMPERATURE RISE TEST	MODEL : SD-500H--24 1. ROOM AMBIENT BURN-IN : 1.5 HRS I/P: 96VDC O/P: FULL LOAD Ta=30.7 °C 2. HIGH AMBIENT BURN-IN : 13 HRS I/P: 96 VDC O/P: FULL LOAD Ta=54.7 °C			P
2	OVER LOAD BURN-IN TEST	NO DAMAGE 1 HOUR (MIN)	I/P: 96 VDC O/P: 111 % LOAD Ta:25°C	TEST : OK	P
3	LOW TEMPERATURE TURN ON TEST	TURN ON AFTER 2 HOUR	I/P: 144 VDC / 72VDC O/P: 100% LOAD Ta= -25°C	TEST : OK	P
4	HIGH HUMIDITY HIGH TEMPERATURE HIGH VOLTAGE TURN ON TEST	AFTER 12 HOURS IN CHAMBER ON CONTROL 50°C NO DAMAGE	I/P: 144VDC O/P:FULL LOAD Ta= 50 °C HUMIDITY= 95 %R.H	TEST : OK	P
5	TEMPERATURE COEFFICIENT	± 0.02 % (0-50°C)	I/P: 96 VDC O/P:FULL LOAD	± 0.005 % (0-50°C)	P
6	VIBRATION TEST	1 Carton & 1 Set (1) Waveform: Sine Wave (2) Frequency:10-500Hz (3) Sweep Time:10min/sweep cycle (4) Acceleration:2G (5) Test Time:1 hour in each axis (X.Y.Z) (6) Ta:25°C		TEST : OK	P



SAFETY TEST

NO	TEST ITEM	SPECIFICATION	TEST CONDITION	RESULT	VERDICT
1	WITHSTAND VOLTAGE	I/P-O/P: 2 KVAC/min I/P-FG: 1.5 KVAC/min O/P-FG: 0.5 KVAC/min	I/P-O/P: 2.4 KVAC/min I/P-FG: 1.8 KVAC/min O/P-FG: 0.6 KVAC/min Ta:25°C / 70%RH	I/P-O/P: 4.25 mA I/P-FG: 4 mA O/P-FG: 5.44 mA NO DAMAGE	P
2	ISOLATION RESISTANCE	I/P-O/P:500VDC>100MΩ I/P-FG: 500VDC>100MΩ O/P-FG:500VDC>100MΩ	I/P-O/P: 500 VDC I/P-FG: 500 VDC O/P-FG: 500 VDC Ta:25°C	I/P-O/P: 5.23 GΩ I/P-FG: 1.48 GΩ O/P-FG: 30 GΩ NO DAMAGE	P
3	GROUNDING CONTINUITY	FG(PE) TO CHASSIS OR TRACE < 100 mΩ	40 A / 2min Ta:25°C / 70%RH	7 mΩ	P
4	APPROVAL	TUV: Certificate NO : UL: File NO :			N

E.M.C TEST

NO	TEST ITEM	SPECIFICATION	TEST CONDITION	RESULT	VERDICT
1	RADIATION	EN55022 CLASS B	I/P: 96VDC O/P:FULL LOAD Ta:25°C	PASS Test by certified Lab	P
2	E.S.D	EN61000-4-2 LIGHT INDUSTRY AIR:8KV / Contact:4KV	I/P: 96 VDC O/P:FULL LOAD Ta:25°C	CRITERIA A	P
3	E.F.T	EN61000-4-4 LIGHT INDUSTRY INPUT: 1KV	I/P: 96 VDC O/P:FULL LOAD Ta:25°C	CRITERIA A	P
4	Test by certified Lab & Test Report Prepare				



M.T.B.F & LIFE CYCLE CALCULATION

NO	TEST ITEM	SPECIFICATION	TEST CONDITION	RESULT	VERDICT
1	CAPACITOR LIFE CYCLE	SD-500H-24 : SUPPOSE C110 IS THE MOST CRITICAL COMPONENT I/P:96VDC O/P:FULL LOAD Ta= 25°C LIFE TIME= 2249259 HRS I/P:96 VDC O/P:FULL LOAD Ta= 50 °C LIFE TIME= 301329 HRS			P
2	MTBF	MIL-HDBK-217F NOTICES2 PARTS COUNT TOTAL FAILURE RATE: 196.3K HRS			P

COMPONENT STRESS TEST

NO	TEST ITEM	SPECIFICATION	TEST CONDITION	RESULT	VERDICT
1	Power Transistor (D to S) or (C to E) Peak Voltage	Q201 Rated IRFP460A 20A/500V	I/P:High-Line +3V = 147 V O/P: (1)Full Load Turn on (2) Output Short Ta:25°C	(1) 414 V (2) 410 V	P
2	Diode Peak Voltage	D100 Rated S20LC30 20A/300V	I/P:High-Line +3V = 147 V O/P: (1)Full Load Turn on (2)Output Short Ta:25°C	(1) 248 V (2) 284 V	P
3	Input Capacitor Voltage	C5 Rated 330u/200V 105°C	I/P:High-Line +3V = 147 V O/P: (1)Full Load Turn on /Off (2) Min load Turn on /Off (3)Full Load /Min load Change Ta:25°C	(1) 163 V (2) 163 V (3) 166 V	P
4	Control IC Voltage Test	U2 Rated KA3846 :40 V	I/P:High-Line +3V = 147 V O/P: (1)Full Load Turn on /Off (2) Min load Turn on /Off (3)Full Load /Min load Change Ta:25°C	(1) 12.95 V (2) 12.98 V (3) 12.98 V	P

DATE	SAMPLE	TEST RESULT	TESTER	APPROVAL
2008/1/21	RD SAMPLE	PASS	SANFORD SU	VINCENT TSENG
2008/3/17	PRODUCT SAMPLE W0802B72	PASS	SANFORD SU	VINCENT TSENG
2008/5/29	PRODUCT SAMPLE W0804B61	PASS	SANFORD SU	VINCENT TSENG

2003/12/12 A50-F023