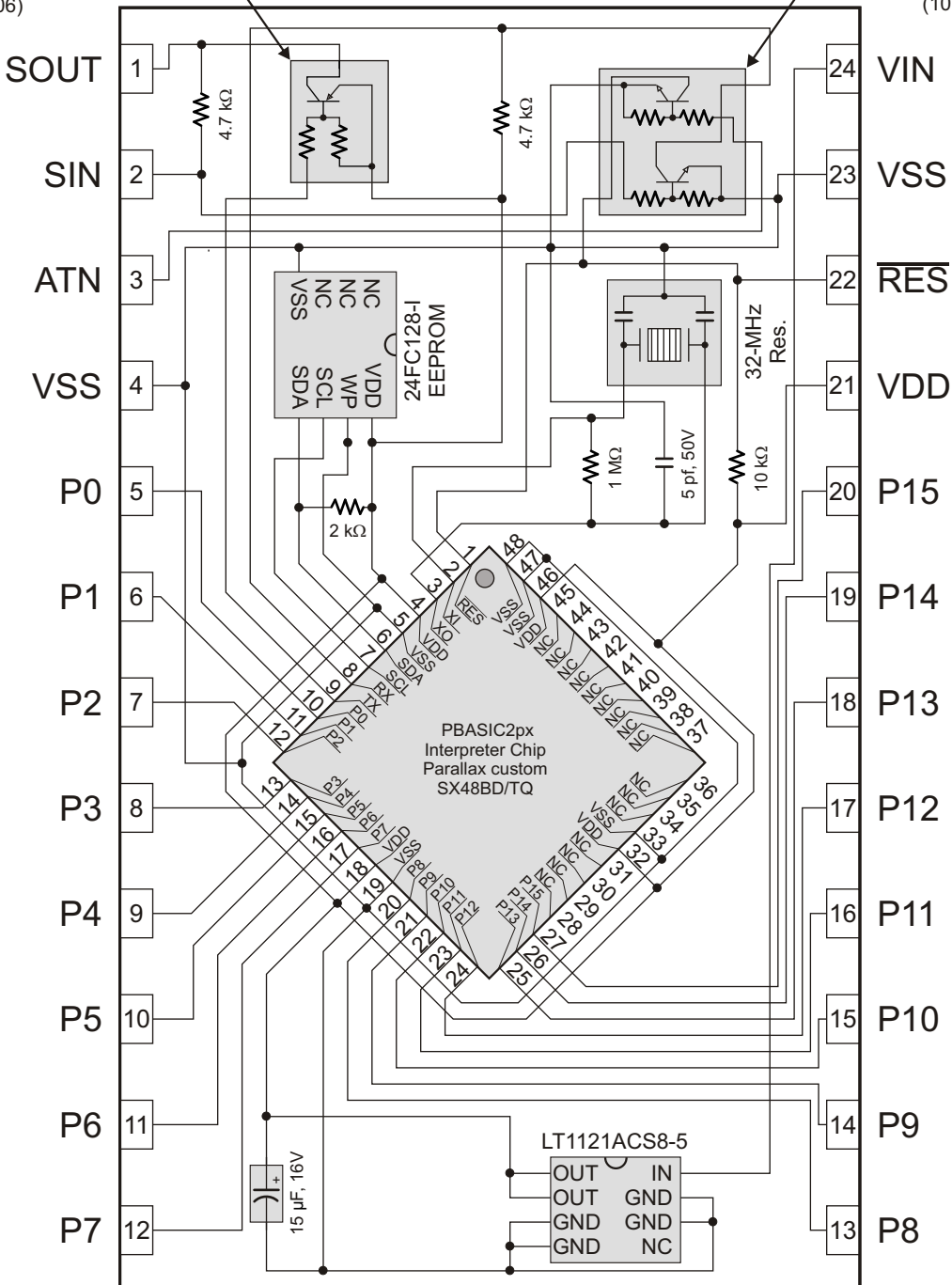


BASIC Stamp[®] BS2px24-IC Module Schematic Rev. A

Updated 3-8-05 © Parallax, Inc.

Single PNP Trans. Pack,
 (10 kΩ Res. & 2N3906)

Dual NPN Trans. Pack
 (10 kΩ Res. & 2N3904)



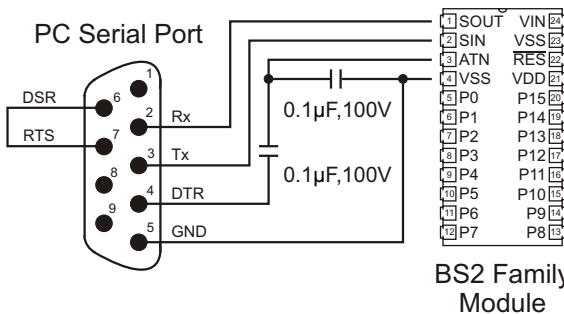
Notes:

The 15µF, 16V capacitor may be a 10-22µF, 6.3-16V tantalum capacitor.

The 32 MHz resonator is not polarity sensitive and the middle pin can be connected to either VDD or VSS.

Connect DSR and RTS for automatic port detection.

PC to BS2 Family Connection



BS2 Family Module

