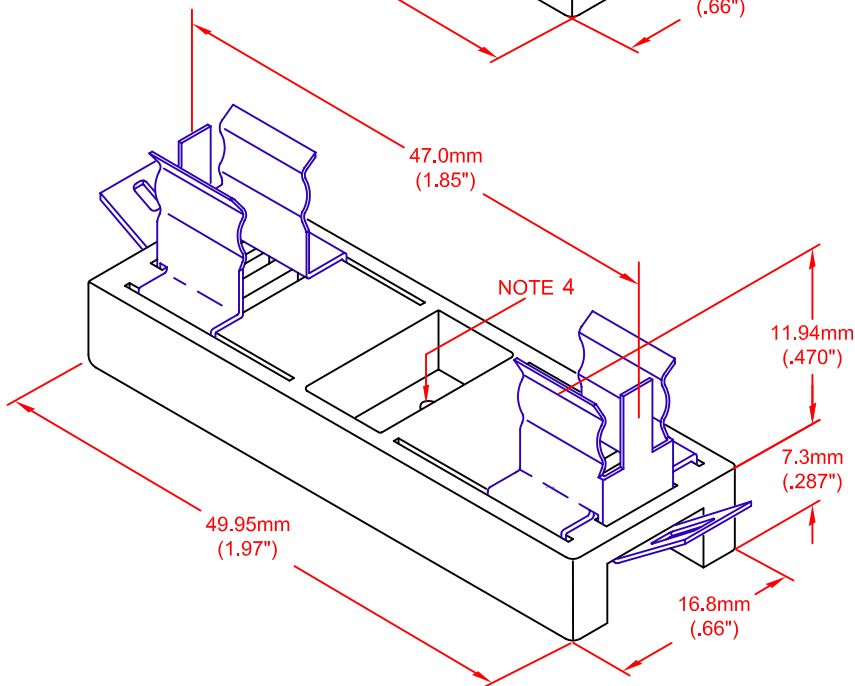


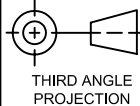
JKL PART NO.: 2910F-42



JKL PART NO.: 2910F-47

NOTES:

1. TAB SIZE REFERENCE DIMENSIONS: .244" wide X .30" deep X .016 thick.
KEYSTONE P/N 4470 QUICK-FIT SOCKET MAY BE USED FOR CONTACT.
2. MINIMUM LAMP SIZE 1.20"
3. MINIMUM CONTACT DIAMETER .30"
4. LOCATION OF MOUNTING HOLE. HOLE DIA. : Ø3.5mm REF.
5. BODY MATERIAL: DUPONT FR50
MAX. WITHSTAND TEMPERATURE 130C
MAX. INTERMITTENT TEMPERATURE 180C
MAX. WATTAGE: -42 10W
 -47 18W

METRIC  THIRD ANGLE PROJECTION		DIMENSIONS ARE IN MILLIMETERS TOLERANCE UNLESS OTHERWISE SPECIFIED 1 PL +/- REF. 2 PL +/- REF. ANGLE +/- 0		JKL COMPONENTS CORPORATION			
				TITLE FESTOON HOLDER			
DRAWN BY L. WENGSTROM		APPVD BY L. R.		DATE 8/7/08		SIZE A	
FSCM NO. 55335		DRAWING NO. 2910F		SCALE NONE		RELEASED DATE 6/12/06	
REVISION DATE 8/7/08		REV. NO. D		SHEET 1 OF 1			
- CAD DRAWING - MANUAL REVISIONS NOT PERMITTED							

REV. NO.	DESCRIPTION/ECO NUMBER	APPVD DATE
D	ADDED NOTES	8/7/08
C	CORR. MATERIAL DESCRIPTION	11/13/07
B	ADD NOTES	8/18/06
A	ADD PART NO. 2910F-47	6/30/06
	RELEASED	6/12/06