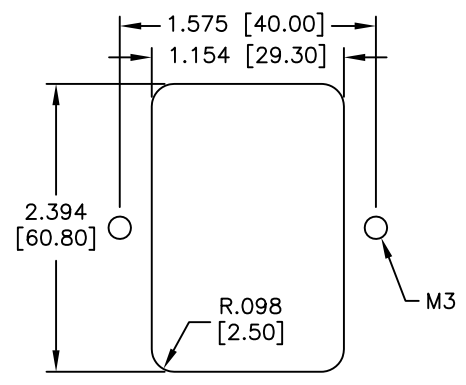
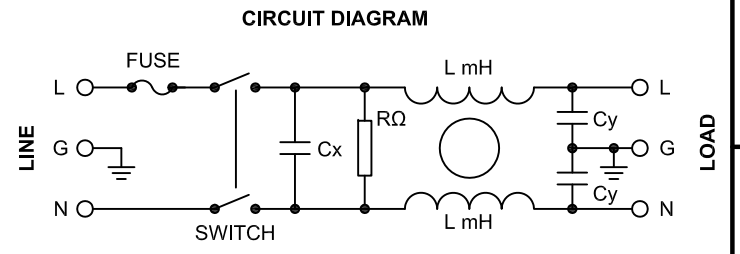
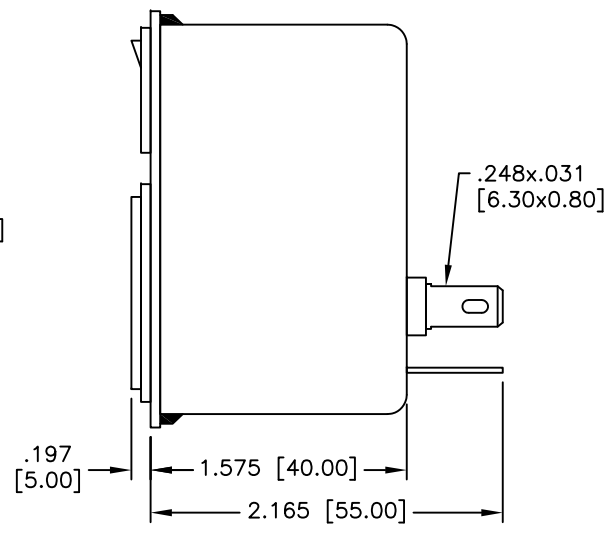
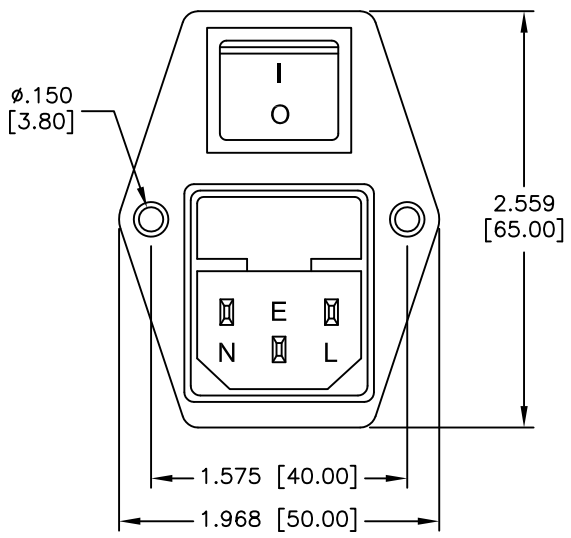


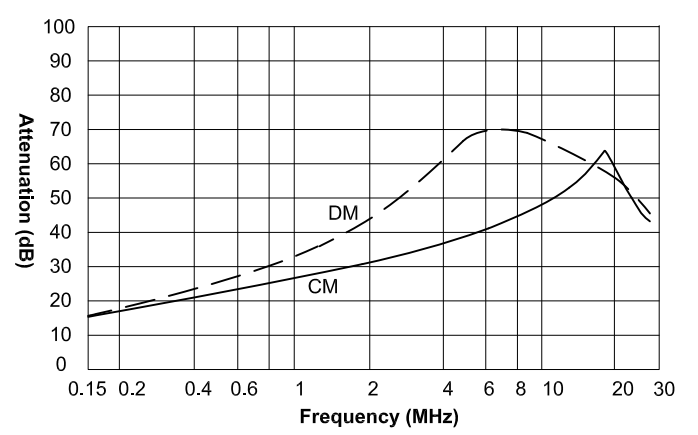
Rev	AWO #	Description	Date	Appr
-		RELEASED	6/16/05	

APPROVED: _____
DATE: _____ TITLE: _____



RECOMENDED
PANEL CUT-OUT

Insertion Loss in dB (Measured in 50Ω systems, as IEC / cispr No. 17)



SPECIFICATIONS:
Material:
Insulator: Nylon 66, glass reinforced, rated UL 94V-0
Insulator color: Black
Contacts: Phosphor Bronze
Casing: Copper Alloy, Nickel plated
Plating:
Nickel over Copper underplate overall
Electrical:
Operating voltage: 120/250 VAC
Current rating: 6 Amps max
Insulation resistance: 3,000 Mohms min
Dielectric withstanding voltage: 2,000 VAC for 1 minute
Ground capacitance: 2.2 nF
Leakage current: 0.5 mA max
Temperature Rating:
Operating temperature: -25°C to +70°C
Environmental:
Lead free, RoHS compliant



UNLESS OTHERWISE SPECIFIED
ALL DIMENSIONS ARE INCHES [MM]
TOLERANCES: EXCEPT AS NOTED

INCHES		HOLES	
.X	± .10	Ø.X	± .10
.XX	± .020	Ø.XX	± .015
.XXX	± .015	Ø.XXX	± .010

APPROVALS		DATE
DRAWN	SS	6/16/05
CHECKED		
APPROVED		

ADAM TECH			
909 Rahway Avenue, Union, NJ 07083 Phone: 908-687-5000 Fax: 908-687-5710			
TITLE		EM/RFI POWER FILTER FLANGED MODULE W/FUSE AND SWITCH	
SIZE	PART NO.	REV.	
X	PLF-6DZ2KR	-	
REF:	SCALE: NTS	SHEET 1 OF 1	