



SPECIFICATIONS SHEET

PRODUCT TYPE : PIEZO BUZZER

PRODUCT SERIES : DB-E238

**DESCRIPTION : PZ BUZZER SINGLE 12VDC PIN NORYL
LEAD FREE MATERIAL**

COLOR : BLACK

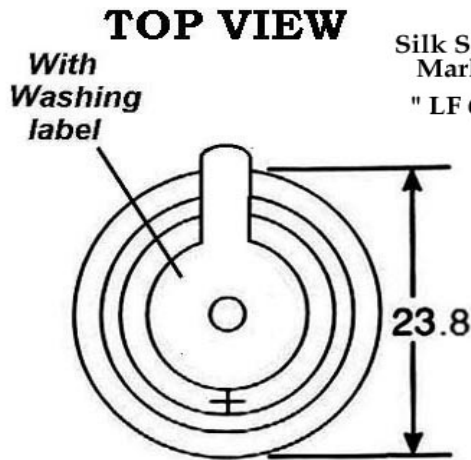
ELECTRICAL SPECIFICATIONS

MODEL NO.	23S3120ANLF - PN	
OPERATING VOLTAGE RANGE (VDC)	3.0 ~ 20.0	
RATED VOLTAGE (VDC)	12.0	
* MAX. RATED CURRENT (mA)	8.0	
* MIN. SOUND OUTPUT (dBA/ 30 cm)	85.0	
* FREQUENCY (Hz)	2900 +/- 500	
TONE NATURE	SINGLE	
OPERATING TEMPERATURE (°C)	- 20 ~ + 85	
TERMINAL	PIN	
HOUSING MATERIAL	NORYL	
WEIGHT (g)	6.0	

* Value applying at rated voltage

DIMENSIONS

UNIT : mm



Silk Screen Marking
" LF 6 A "

