

# Ledtech THREE DIGIT DISPLAY

**0.56" DUAL DIGIT DISPLAY Electrical/Optical Characteristics at T<sub>A</sub>=25°C & I<sub>F</sub>=20mA**

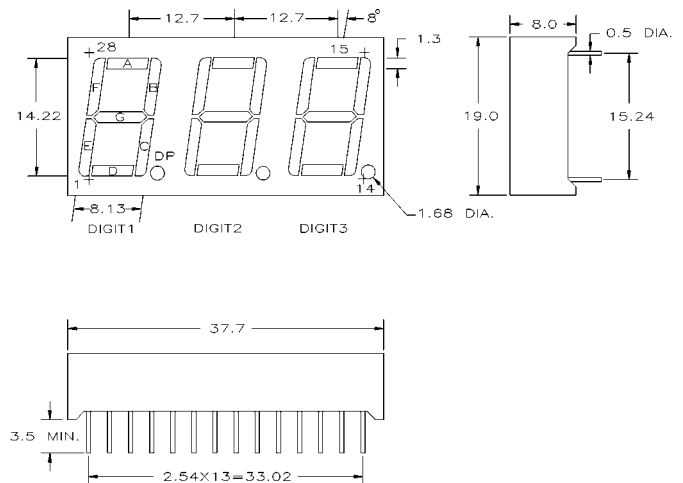
CHIP COLOR	0.56 inch THREE DIGIT DIRECT DRIVE		0.56 inch THREE DIGIT MULTIPLEX DRIVE		λ p (nm)	V <sub>F</sub> (V)	I <sub>V</sub> (mcd)	
	COMMON ANODE	COMMON CATHODE	COMMON ANODE	COMMON CATHODE			TYP.	TYP.
GREEN	LA5623-11	LC5623-11	LN5623-11	LM5623-11	572	2.1	3.9	6.5
YELLOW	LA5633-11	LC5633-11	LN5633-11	LM5633-11	589	2.1	3.1	5.2
ORANGE	LA5643-11	LC5643-11	LN5643-11	LM5643-11	630	2.1	4.5	7.4
ORANGE	LA5643R-11	LC5643R-11	LN5643R-11	LM5643R-11	630	2.1	4.5	7.4
RED	LA5673-11-M1	LC5673-11-M1	LN5673-11-M1	LM5673-11-M1	660	1.7	10.4	17.3
RED	LA5653-11	LC5653-11	LN5653-11	LM5653-11	700	2.1	1.1	1.8

**LA56X3-11  
COMMON ANODE**

FUNCTION	PIN NO.		
	1	2	3
CATHODE A	27	22	16
CATHODE B	24	19	14
CATHODE C	3	7	12
CATHODE D	2	6	11
CATHODE E	1	5	10
CATHODE F	28	23	17
CATHODE G	25	20	18
CATHODE DP	4	9	13
COMMON ANODE	26	8,21	15

**LC56X3-11  
COMMON CATHODE**

FUNCTION	PIN NO.		
	1	2	3
ANODE A	25	21	16
ANODE B	24	20	15
ANODE C	4	8	13
ANODE D	2	7	11
ANODE E	1	6	10
ANODE F	27	23	17
ANODE G	28	22	12
ANODE DP	5	9	14
COMMON CATHODE	3,26	19	18



**LN56X3-11  
COMMON ANODE  
PIN**

PIN NO.	FUNCTION
1.	CATHODE E
2.	CATHODE D
3.	CATHODE DP
4.	CATHODE C
5.	CATHODE G
6.	NO CONNECTION
7.	CATHODE B
8.	COMMON ANODE (DIGIT 3)
9.	COMMON ANODE (DIGIT 2)
10.	CATHODE F
11.	CATHODE A
12.	COMMON ANODE (DIGIT1)

**LM56X3-11  
COMMON CATHODE  
PIN**

PIN NO.	FUNCTION
1.	ANODE E
2.	ANODE D
3.	ANODE DP
4.	ANODE C
5.	ANODE G
6.	NO CONNECTION
7.	ANODE B
8.	COMMON CATHODE (DIGIT 3)
9.	COMMON CATHODE (DIGIT 2)
10.	ANODE F
11.	ANODE A
12.	COMMON CATHODE (DIGIT1)

