

Distributed by:

JAMECO[®]
ELECTRONICS

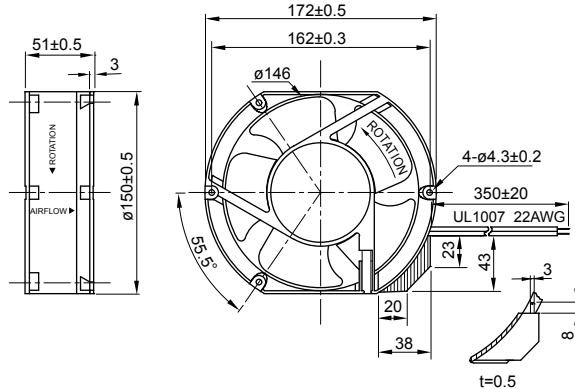
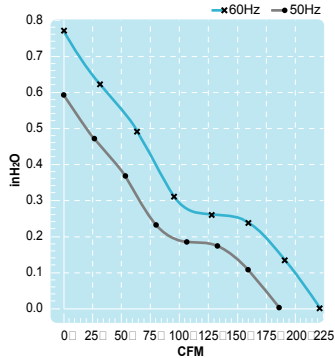
www.Jameco.com ♦ 1-800-831-4242

The content and copyrights of the attached
material are the property of its owner.

Jameco Part Number 212582

UF15P(C) Series

Size: 172 x 150 x 51
Unit : mm



Terminal or Lead Wire Type

Thermal Protection

Spec. Model	Rated Voltage V	Frequency Hz	Input Power W	Rated Current A	Locked Current A	Speed RPM	Maximum Air Flow m ³ /min.	Maximum Air Flow CFM	Maximum Pressure mmH ₂ O	Maximum Pressure InchH ₂ O	Noise dB	Weight kg
UF15PC10-H	100V	50	30	0.33	0.50	2850	5.8	205	16	0.63	50	0.9
		60	30	0.29	0.52	3400	6.4	226	20	0.79	55	
UF15PC11-H	115V	50	31	0.26	0.41	2850	5.8	205	16	0.63	53	0.9
		60	31	0.25	0.43	3400	6.4	226	20	0.79	58	
UF15PC20-H	200V	50	29	0.15	0.23	2850	5.8	205	16	0.63	53	0.9
		60	29	0.14	0.25	3400	6.4	226	20	0.79	58	
UF15PC23-H	230V	50	29	0.12	0.19	2850	5.8	205	16	0.63	53	0.9
		60	29	0.12	0.19	3400	6.4	226	20	0.79	58	
UF15PC11-L	115V	50	31	0.17	0.21	1400	2.5	88	3.8	0.15	31	0.9
		60	31	0.15	0.20	1700	3.0	106	5.5	0.22	37	
UF15PC23-L	230V	50	29	0.08	0.09	1400	2.5	88	3.8	0.15	31	0.9
		60	29	0.07	0.09	1700	3.0	106	5.5	0.22	37	

[About Us](#)[New Products](#)[Products](#)[News Release](#)[Contact Us](#)

AC Tube Axial Fan

General Data

[UF18J\(C\) Series](#)
[UF16F\(C\) Series](#)
[UF25H\(C\) Series](#)
[UF25G\(C\) Series](#)
[UF25G\(CE\) Series](#)
[UF17P Series](#)
[UF17P\(C\) Series](#)
[UF15P Series](#)
[UF15P\(C\) Series](#)
[UF15P\(E\) Series](#)
[UF15K\(C\) Series](#)
[UF15K\(CR\) Series](#)
[UF15K\(M\) Series](#)
[UF15K\(MR\) Series](#)
[UF15K\(ME\) Series](#)
[UF15K\(MRE\) Series](#)

[Products](#) > [AC Tube Axial Fan](#) > [General Data](#)

GENERAL DATA

General Data:

- **Frame/Housing** : Aluminum die-casting
- **Impeller** : Plastic PBT PC, nylon or metal.
- **Bearing System** : Ball bearing or sleeve bearing
- **Motor** : Shaded pole or capacitor induction
- **Connection** : Lead wire or terminal type
- **Protection** : Impedance protection or thermal protection
- **Insulation Resistance** : Above 100M Ω , DC500V.
- **Dielectric withstand voltage** : AC 1500V (50/60Hz) one minute
- **Operating Temperature** : Ball bearing: -40°C~70°C
Sleeve bearing: -20°C~70°C
- **Life Expectancy** : Ball bearing: over 40,000 hr. (At 40°C)
Sleeve bearing: over 15,000 hr. (At 40°C)
- **Safety Approval** : UL, CUL, CSA, VDE, CE, TUV.

UF15A(C) Series

UF15A Series

UF13A Series

UF12A(R) Series

UF12A Series

UF12A(E) Series

UF12A(M) Series

UF12B(R) Series

UF12B Series

UF92A(M) Series

UF92B Series

UF80B Series

UF80A Series

UF60D Series



● Description of Model No.

UF	12	A	(R)	11	B	T	H	N
1	2	3	4	5	6	7	8	9

1. UF:

Fulltech

2. Size:

12 : 120 x 120mm

13 : 127 x 127mm

92 : 92 x 92mm

80 : 80 x 80mm

15 : 150 x 172mm

17 : 172 x 172mm

25 : 254 x 254mm

60 : 60 x 60mm

16 : 160 x 160mm

18 : 180 x 180mm

3. Thickness:

A : 38mm

B : 25mm

D : 30mm

G : 89mm

K : 55mm

P : 51mm

F : 62mm

J : 90mm

H : 107mm

4. Special Design:

C : Capacitor Induction Motor

R : Reverse Air

M : Metal Impeller

CR : Capacitor Induction Motor
+ Reverse Air

MR : Metal Impeller + Reverse Air

E : Without Frame

A : 3 Phases

5. Input Voltage:

11 : 115V

23 : 230V

10 : 100V

20 : 200V

6. Bearing:

B : Ball

S : Sleeve

7. Electrical Connection:

T : Terminal Type

W : Lead Wire

8. Speed:

H : High

M : Medium

L : Low

9. Feature:

N : Motor Sealed

D : Stator

Painted

Any customer's design are welcome, Example: 120V/230V Dual Voltage, HI/LO Double Speed and AC 24V, 48V, 380V, 440V are acceptable.