

Date	Rev.	Description

1.	适用范围 Scope	本规格书适用于驻极体式电容传声器 This specification applies electret condenser microphone(E.C.M)
2.	型号 Part No.	EC928P-602 *本产品符合 RoHS 的要求, To complied with RoHS
3.	使用条件 Operation Condition	
	3.1 环境温度 Temperature	-20~+70°C
	3.2 相对湿度 Rel. Humidity	35%~85%RH
	3.3 大气压力 Pressure	86~106Kpa
	3.4 环境噪声 Environmental Noise	36dB(最大) 36dB(Maximum)
	3.5 工作电压范围 Operation Voltage	+1~+10VDC
	3.6 接地方式 Earth	⊖
4.	电性能 Electrical Characteristics	
	4.1 基准工作电压 Standard Operation Voltage	+4.5VDC
	4.2 阻抗 Impedance	2.2k Ω (最大) 2.2k Ω (Maximum)
	4.3 消耗电流 Current Consumption	0.5mA(最大) 0.5mA(Maximum)
	4.4 灵敏度 Sensitivity	(0dB=1V/Pa, 1KHz) -40 ± 2dB
	4.5 指向性 Directivity	全指向性 Omni-directional
	4.6 信噪比 S/N Ratio	58dB(最小)(A 计权, 1KHz, Pa) 58dB(Minimum)(A-Curve at 1KHz, Pa)
	4.7 测试环境温度 Test Temperature	20°C ± 2°C
	测试环境湿度 Test Rel. Humidity	45%~65%RH



MATERIAL	GOLDSUN ELECTRONICS CO., LTD.		
	JAMECO NO.	GOLDSUN NO.	
	2099622	EC928-602	
DRAWN: Colin Hang	Description	MIC CARTRIDGE 12VDC,4.5VDC 2-PIN PC LEADS	Rev. 1
VERIFY PEOPLE: Penny	UNIT: mm	SCALE:	SHEET 1 OF 1
			CAS No: ERN No:

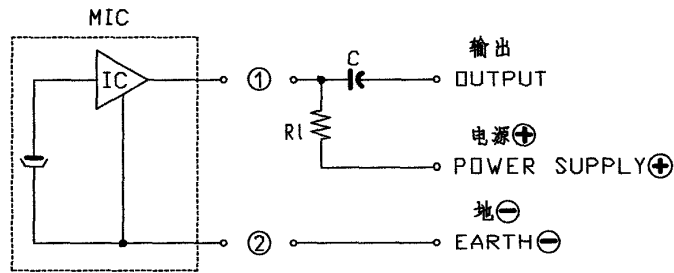
DCC. NO.
A4 DRAWING NO.

Date	Rev.	Description

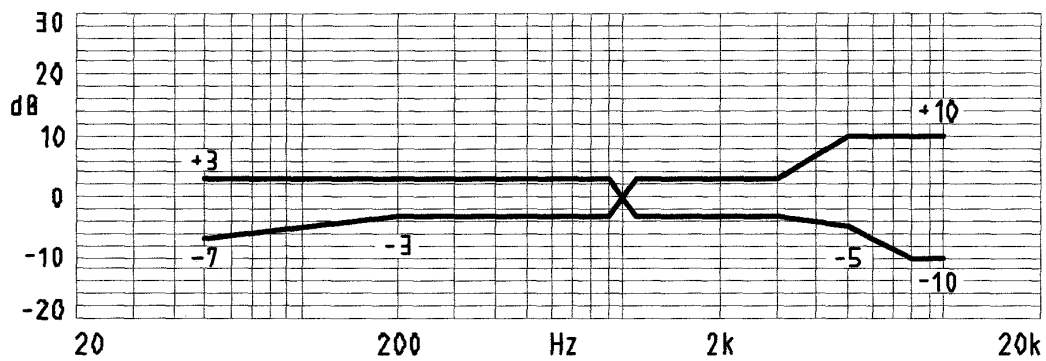
4.8 测试电路图
Schematic Diagram

$V_s=4.5V$

$C=1\mu F$ $R_I=2.2K\Omega$



4.9 频率响应曲线
Frequency Response

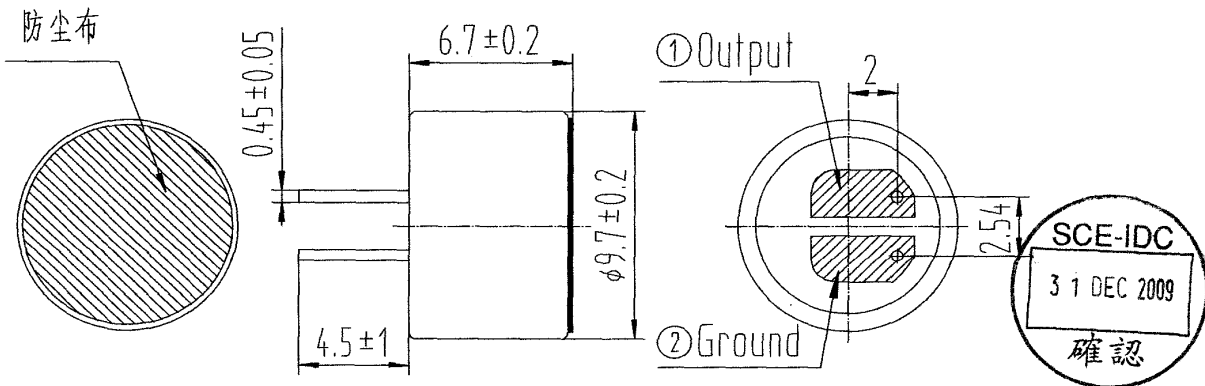


5. 机械性能
Mechanical Characteristics

5.1 尺寸
Dimension $\phi 9.7 \times 6.7 \text{mm}$

5.2 重量
Mass $\leq 0.9 \text{g}$

5.3 外形图 Dimensional Drawing



MATERIAL	GOLDSUN ELECTRONICS CO., LTD.		
JAMECO NO.	2099622	GOLDSUN NO.	EC928-602
DESCRIPTION	MIC CARTRIDGE 12VDC,4.5VDC 2-PIN PC LEADS	Rev.	1
UNIT: mm	SCALE:	SHEET 1 OF 1	CAS No: ERN No:

DCC. NO.
A4 DRAWING NO.

DRAWN: Colin Hang
VERIFY PEOPLE: Penny