

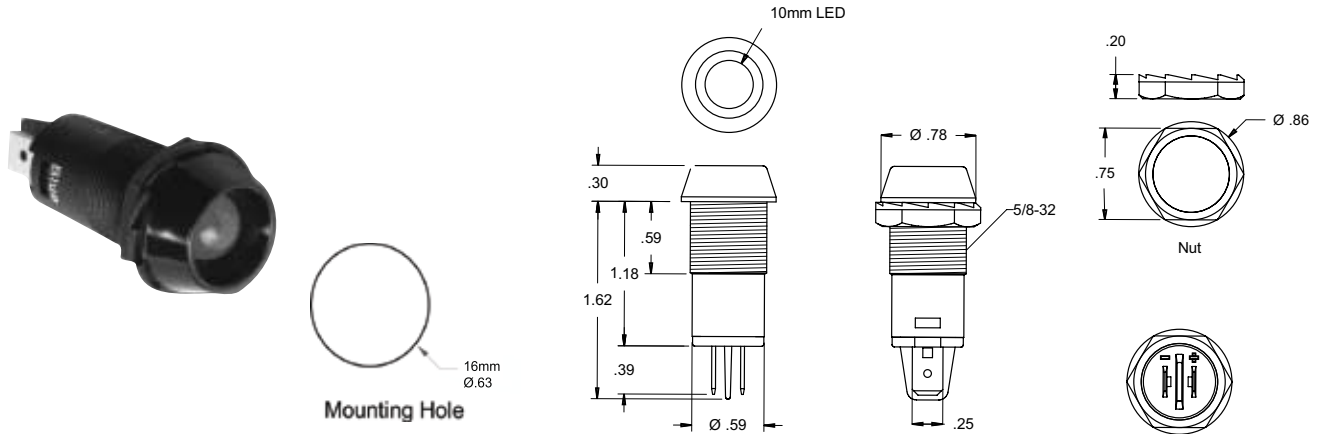
NEW

KE

- 16mm mounting hole
- 10mm ultra-bright LED
- Supplied with nylon hex nut

SPECIFICATIONS

Body Material: Nylon 66 (UL 94V-2) Operating Temp: -20°C to +85°C
 Nut Material: Nylon 66 (UL 94V-2) Certifications: See Page 1
 Terminal Material: Nickel over Brass



Series		Lamp		Termination		Base		Bezel		Lens				
XX		XX		-	X	-	X	X		-	XXX		X	0
KE	Voltage	Type	Code	Style	Code	Color	Code	Finish	Code	Style	Code	Color	Code	
	14	LED	12	.250 Tabs	4	N/A	0	Black	3	Translucent	010	Red	1	
	28	LED	13							Water Clear ²	050	Amber	2	
	125	LED ¹										Green	4	
												Blue	5	
												White	6	
												Pure White	P	

LED Viewing Angle 120°

LED Light Output (mcd)

Red	250
Amber	200
Green	700
Blue	300
White	500
P White	4000

ADDITIONAL OPTIONS AVAILABLE:

Contact Factory

1. Contact Factory
2. Pure White Only