

28 & 29

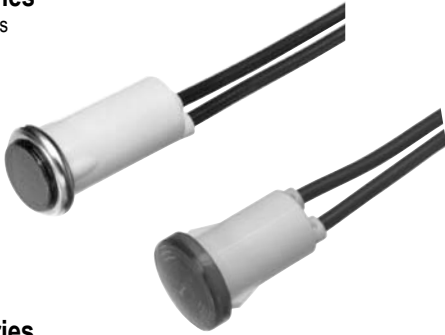
- Fits into 0.500" panel hole
- LED, incandescent, and neon illumination
- Many lens styles available

SPECIFICATIONS

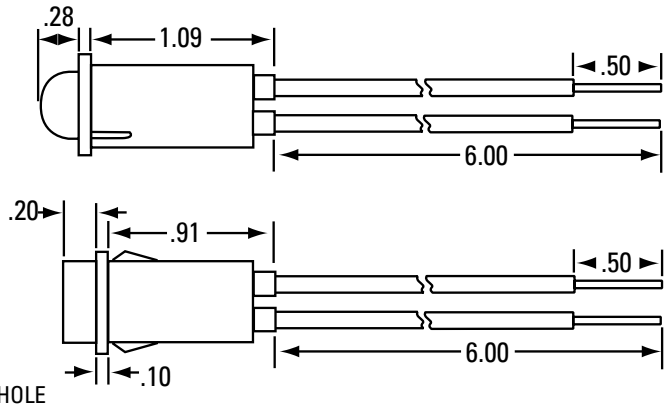
Body Material:	Nylon	Wire Gauge	18 ga.
Lens Material:	Polycarbonate	Wire Strip:	1/2"
Bezel Material	Stainless Steel or Plated Brass	Panel Thickness:	0.030" to 0.0903
		Certifications:	See Page 1

28 Series

wire leads



28 with 40 lens

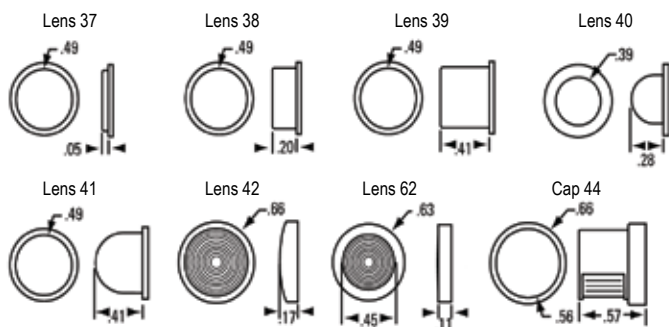


29 Series

wire leads



Series	Lamp	Termination	Base	Bezel	Lens
XX	XX	- X	- X	X	- XXX
					X 0
28	2 LED	Code 10 6" Wire	Code 1 White	Code 1 None	Code 0 .09 Cylinder Translucent ^{1,4}
29	6 LED	Code 11 Special	Code X Black	Code 2 Stainless Chrome	Code 1 .09 Cylinder Diamond ⁴
	14 LED	Code 12		Code 2 Black	Code 2 .09 Cylinder Rings ⁴
	28 LED	Code 13			Code 3 .25 Cylinder Translucent ^{1,4}
	6 INCAND	Code 32			Code 3 .25 Cylinder Diamond ⁴
	14 INCAND	Code 35			Code 3 .25 Cylinder Rings ⁴
	28 INCAND	Code 39			Code 3 .46 Cylinder Translucent ^{1,4}
	125 NEON	Code 50			Code 3 .46 Cylinder Diamond ⁴
	250 NEON	Code 52			Code 3 .46 Cylinder Rings ⁴
	Special	Code XX			Code 3 Small Dome Translucent ^{1,4}
					Code 3 Small Dome Lines ⁴
					Code 3 Large Dome Translucent ^{1,4}
					Code 3 Large Dome Rings ⁴
					Code 3 Semi Dome Translucent ^{1,5}
					Code 3 Semi Dome Rings ⁵
					Code 3 Flush Lens w/Tapered Bezel ^{3,4}
					Code 3 Cap, Black (F1C) Translucent ⁶
					Code 3 Cap, Black (F1C) Transparent ⁶



White is Translucent
Clear is Transparent

ADDITIONAL OPTIONS AVAILABLE:

Contact Factory

1. Translucent Lens is not recommended for use with LED
2. Specify LED Color if applicable
3. Polished Bezel only use code 2
4. Bezel required
5. Bezel not available