

This generic sub-micro servo is one of the lightest servos we carry, weighing just 3.7 g (0.13 oz) without the lead. It is intended for use around 4.8 V (i.e. with 4-cell NiMH or NiCD battery packs). Servo horns and associated hardware are included.

Key specs at 4.8 V: 0.12 sec/60°, 8 oz-in (0.6 kg-cm), 3.7 g (0.13 oz).



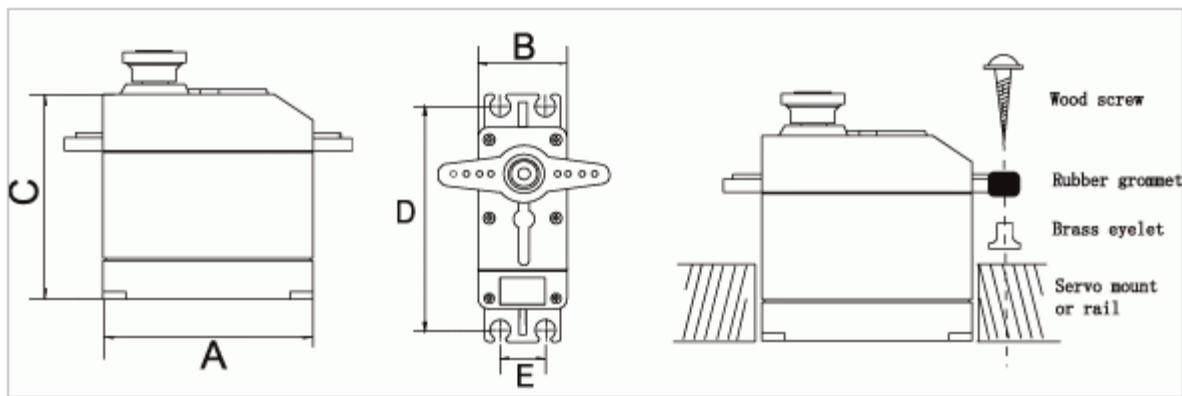
Description [Specifications \(7\)](#) [Pictures \(2\)](#) [Resources \(0\)](#) [FAQs \(2\)](#)

This tiny servo is great for applications such as:

- Building a miniature walking robot.
- Creating grippers or other mechanisms for small robots.
- Moving control surfaces on small model aircraft.

It measures just 20.0 x 8.5 x 19.8 mm (0.79" x 0.33" x 0.78") and weighs only 3.7 g (0.13 oz) without its 15cm (6") lead. The lead is terminated with a standard "JR"-style connector, which is Futaba-compatible.

Wire (cm)	Size (MM)					Weight		4.8V			6.0V		
	A	B	C	D	E	g	oz	Speed	Torque		Speed	Torque	
								sec/60°	kg-cm	oz-in	sec/60°	kg-cm	oz-in
15.0	20.0	8.5	19.8	23.6	—	3.7	0.13	0.12	0.6	8.2	—	—	—



The servo ships with additional servo horns. Please note that while the above dimension diagram mentions rubber grommets and brass eyelets, these components are not part of the included hardware, and included hardware might vary from what is shown in the picture below.



An example of hardware included with the Power HD sub-micro servo HD-

**1440A and the sub-micro servo 3.7g
(generic). Actual hardware might vary.**

Note: This servo is intended for operation around 4.8 V, meaning it should be powered with a 4-cell NiMH battery pack, such as our small [1/3-AAA 4.8V pack](#). It should not be powered with the 6 V, 5-cell battery packs that are also commonly used in RC systems.