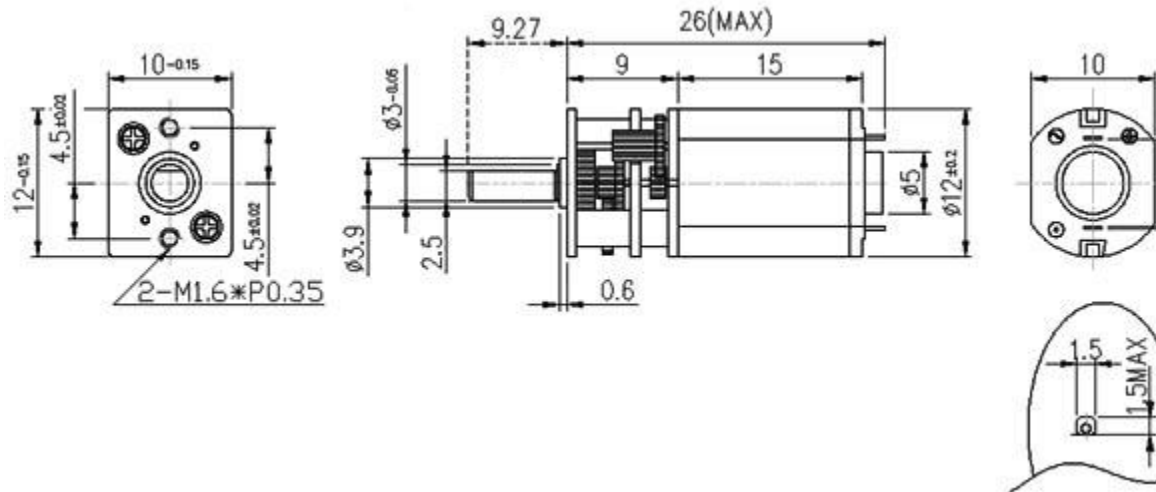


This gearmotor is a miniature (0.94" x 0.39" x 0.47"), high-quality, high-power motor with **100:1** metal gearbox, similar to Sanyo's popular 12 mm gearmotors. These units have a 0.365"-long, 3 mm-diameter D-shaped output shaft.

Key specs at 6 V: 320 RPM and 80 mA free-run, 30 oz-in (2.2 kg-cm) and 1.6 A stall.

## Gearmotor Dimensions



**Micro metal gearmotor dimensions (units in mm).**

The gearbox has a long (0.365" or 9.27 mm), 3 mm-diameter D-shaped metal output shaft, and the brass faceplate has two mounting holes threaded for M1.6 screws (1.6 mm diameter, 0.35 mm thread pitch). It weighs approximately 0.35 oz (10 g). Versions with the extended motor shaft have a 1mm diameter round shaft that protrudes 4.5 mm from the rear of the motor, between the two motor terminals; this is not pictured in the above dimension diagram.

The gearbox on the [1000:1](#) and [1000:1 HP](#) micro metal gearmotors is 12.5 mm long. All of the other micro metal gearmotors have 9mm-long gearboxes, as shown in the above dimension diagram.