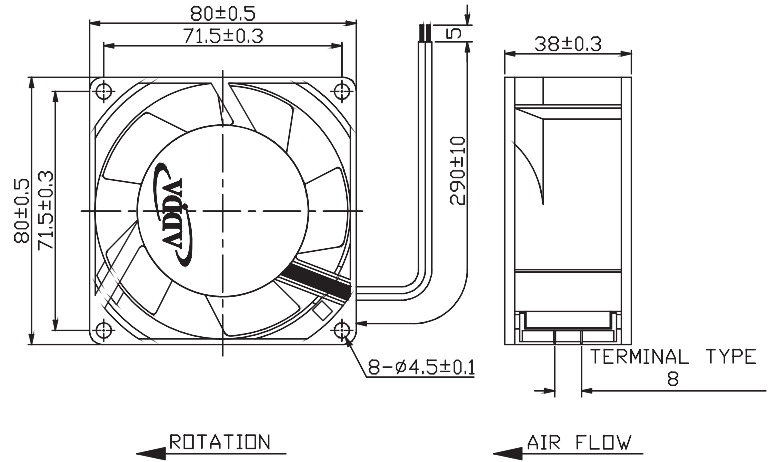




# AA8038 SERIES



## External Dimensions



Frame: Aluminum Alloy  
 Impeller: Plastic (UL:94V-0)  
 Motor Structure: Shaded Pole Induction Motor.  
 Motor Protection: Impedance Protect.  
 Lead wire: UL1430AWG22  
 Wire Type: -AT Terminal/ -AW Wires  
 OPERATING TEMP\*: -10°C~70°C  
 \*: -10°C~60°C for fans with sieve/ball combination bearings.

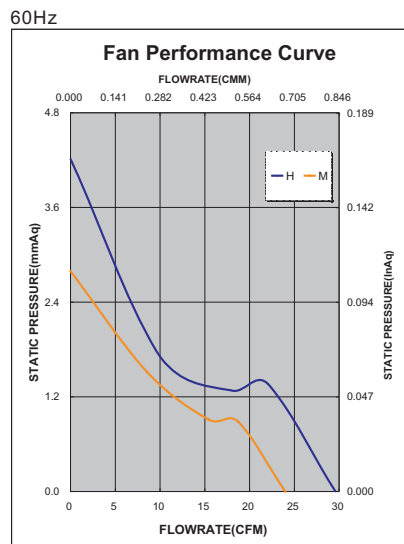
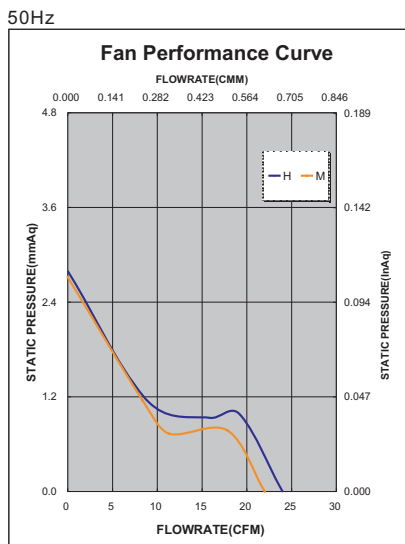
## Specifications(Nominal)

Frame size (mm)	Model No.	Bearing System Type	Volt. (VAC)	Freq. (Hz)	Current (A)	Power (W)	Rated Speed (rpm)	Maximum AirFlow (CMM)	Maximum AirFlow (CFM)	Maximum Pressure (InAq)	Maximum Pressure (mmAq)	*Noise Level (dB/A)	Weight (g)
80x80x38	AA8381MB-AT	◎ ※ ●	115	50/60	0.07/0.06	7.60/6.50	2300/2400	0.622/0.679	22.0/24.0	0.107/0.110	2.717/2.794	25.3/26.2	320
	AA8382MB-AT	◎ ※ ●	230	50/60	0.06/0.05	10.60/8.60							
	AA8381HB-AT	◎ ※ ●	115	50/60	0.14/0.11	10.90/8.10	2400/2800	0.679/0.837	24.0/29.6	0.110/0.166	2.794/4.216	26.2/31.6	
	AA8382HB-AT	◎ ※ ●	230	50/60	0.07/0.06	13.60/10.10							

Bearing type: ◎=Ball ※=Sleeve ●=Hypro bearing

Specifications subject to change without notice.

The specification for bearing type is for reference only, for more bearing types information, please contact with your ADDA sales representative, thanks!! (網頁上呈現產品軸承資訊均以2Ball為主, 若需其他產品資訊請聯絡您在ADDA的業務代表, 謝謝!!)



\*Safety approvals

✓	✓		✓	✓